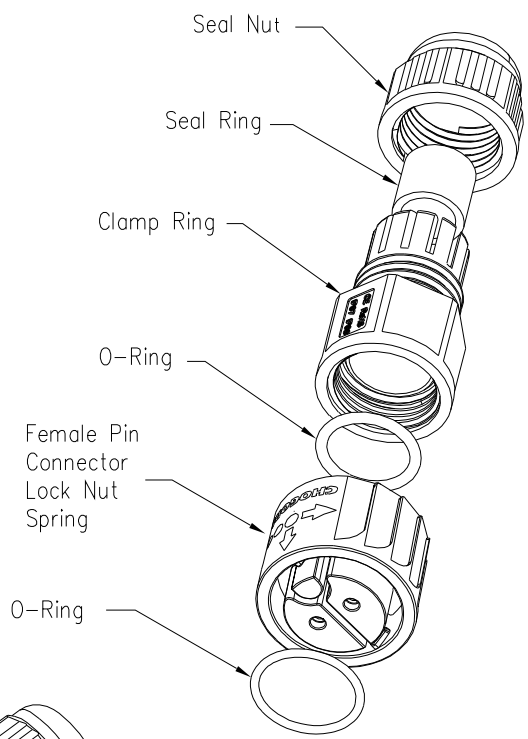
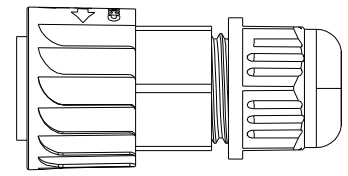
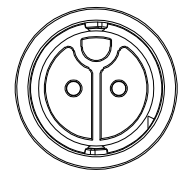
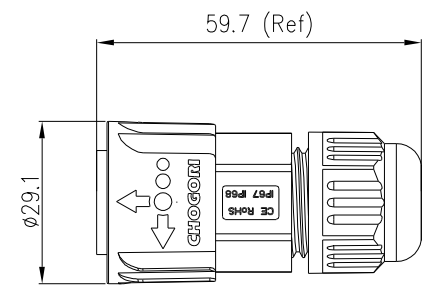


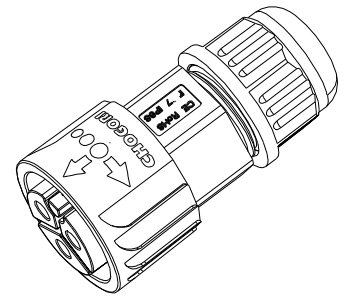
REV.	ECN NO.	DESCRIPTION	SIGN	DATE
C1	N/A	INITIAL DRAWING	Liu	2020/04/27



24XXX231-XX Cable Range OD
 01 OD: φ5.5mm~φ6.5mm
 02 OD: φ8.0mm~φ10.5mm
 Pin Number

- Specification:
- 1.Operation Temperature: -45°C~105°C.
 - 2.Insulation Resistance:100MΩ at DC500V.
 - 3.Contact Resistance:<10mΩ
 - 4.Withstand Voltage: 2000V AC
 - 5.Operating Current:20A
 - 6.Operating Voltage: AC 300V
 - 7.Waterproof Rate:IP67 (Mated)
 - 8.Seal Nut:Nylon, Black
 - 9.Seal Ring:Silicon, Black.
 - 10.Clamp Ring:Nylon, Black
 - 11.O-Ring:Silicon, Red
 - 12.Female Pin:Copper Alloy, Gold Plated
 - 13.Connector:Nylon+GF, Black
 - 14.Lock Nut:SUS,Orange
 - 15.Spring:SUS
 - 16.O-Ring:Silicon, Red
 - 14.RoHS Compliant.
 - 15.Mating Cap:804-00008-00

2 Pin	3 Pin
P/N: 24002231-0X	P/N: 24003231-0X
Pin Assignments Front View	



CHOGORI

PART NO	24XXX231-XX	DRAWN BY	Liu	DATE	2020/04/27
DWG NO		CHECKED BY	Mo	DATE	2020/04/27
CUSTOMER		APPROVED BY	Adley	DATE	2020/04/27

UNIT:mm		DESCRIPTION	Large Series Push Lock Male Plug With Female Pin		
TOLERANCE	.X ±0.25 .XX ±0.15 .XXX ±0.05 ANGLES ±1°	SCALE	1:1	SHEET	1 OF 1
REV.	C1	SIZE	A4	* :Inspection Item	

THIS INFORMATION IS CONFIDENTIAL AND IS DISCLOSED TO YOU ON CONDITION THAT NO FURTHER DISCLOSURE IS MADE BY YOU TO OTHER THAN CHOGORI PERSONNEL WITHOUT AUTHORIZATION FROM CHOGORI CORP.