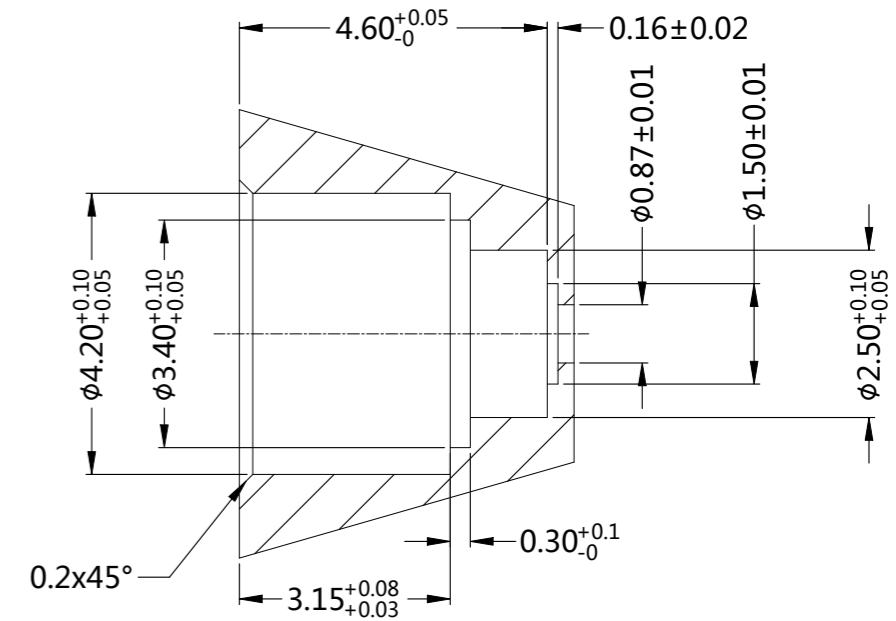
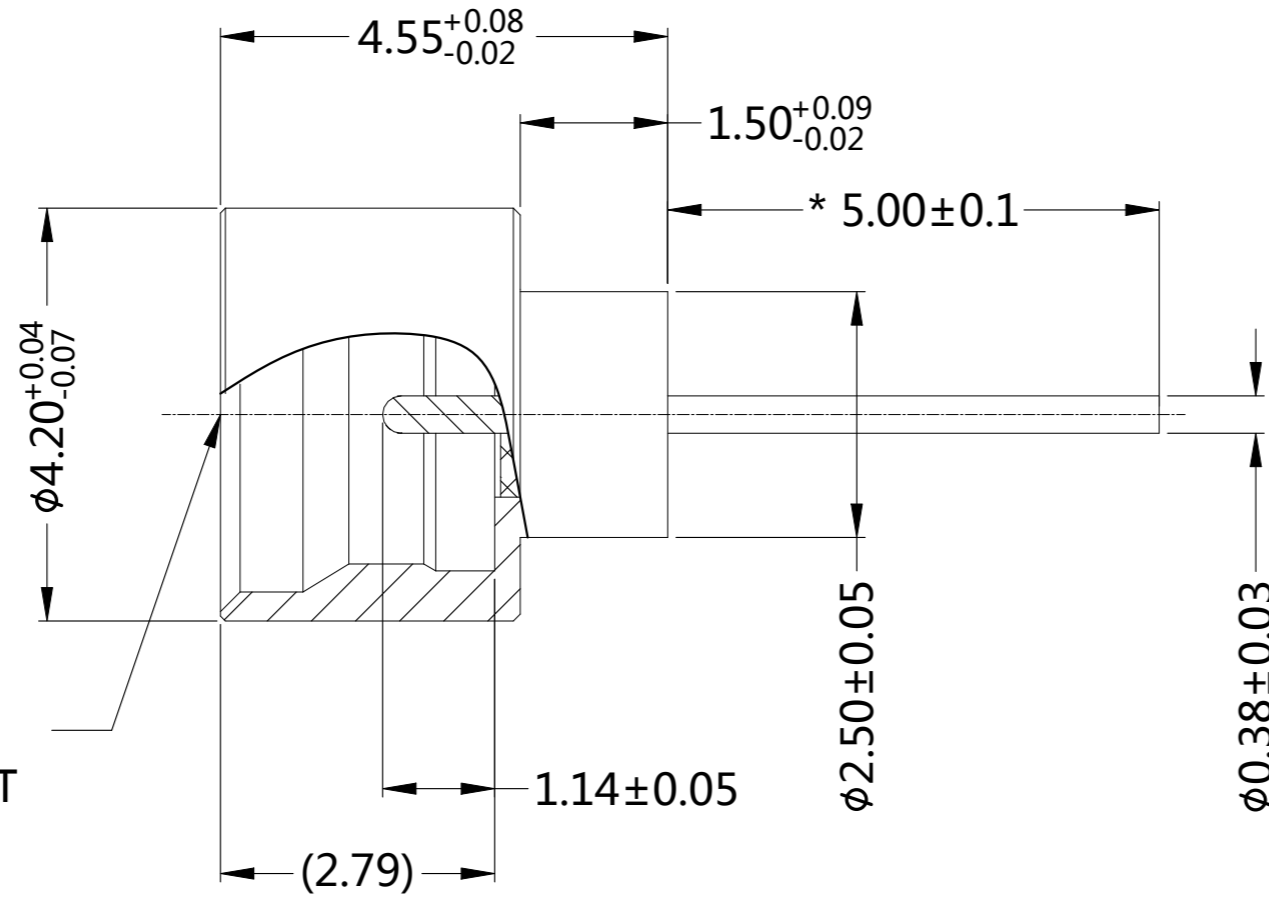


P	LTR	DESCRIPTION	DATE	DWN	APVD
	A	REVISED PER ECN-22-147532	07APR2022	RZ	WK

SMP
LIMITED DETENT



RECOMMENDED MOUNT HOLE

ELECTRICAL	MECHANICAL	ENVIRONMENTAL
Impedance (Ohm) <u>50</u>	Interface Dimension MIL-STD-348B Fig. <u>326-3</u>	TEMPERATURE RANGE <u>-40°C TO + 125°C</u>
Frequency Range (GHz) <u>DC to 35GHz</u>	Force to Engage (lbs) Full Detent 15.0 Max Limited Detent 10.0 Max Smooth Bore 2.0 Max	THERMAL SHOCK <u>MIL-STD-202, METH.107, COND.B</u>
Voltage Rating (Peak) <u>@ Sea Level 175 V RMS</u>	Force to Disengage (lbs) Full Detent 5.0 Max Limited Detent 2.0 Max Smooth Bore 0.5 Max	CORROSION <u>MIL-STD-202, METH.101, COND.B</u>
Insulation Resistance (MIN.) <u>5000 M ohms</u>	Center Contact Captivation Axial (Lbs) <u>1.5</u> Radial (In/Oz) <u>N/A</u>	VIBRATION <u>MIL-STD-202, METH.204, COND.D</u>
Contact Resistance (Milliohms MAX) Center Contact <u>6.0</u> Outer Contact <u>2.0</u>	Cable Retention Axial (Lbs) <u>N/A</u>	SHOCK <u>MIL-STD-202, METH.213, COND.I</u>
Dielectric Withstand Voltage: <u>500 V RMS Max</u>	Mating cycles <u>100</u> cycles	MOISTURE RESISTANCE <u>MIL-STD-202, METH.106,</u>
Insertion Loss : <u>0.5 MAX dB</u>		ROHS <u>COMPLIANT</u>
VSWR: <u>1.5 MAX (GHz)</u>		LEAK RATE <u>1.01325x10⁻³ Pa.cm³/s</u>
RF leakage: <u>N/A</u>		

QUANTITY PER ASSY	PARTS LIST
1	Au50u" KOVAR ALLOY BODY 3
1	- GLASS INSULATION 2
1	Au50u" KOVAR ALLOY CENTER CONTACT 1
-1	PLATING MATERIAL DESCRIPTION ITEM

THIS DRAWING IS A CONTROLLED DOCUMENT.

DIMENSIONS:	TOLERANCES UNLESS OTHERWISE SPECIFIED:
mm	0 PLC ± -
	1 PLC ± 0.3
	2 PLC ± 0.2
	3 PLC ± 0.1
	4 PLC ± -
	ANGLES ± 5°
MATERIAL	FINISH
-	-

DWN RANDY Z 16FEB2022	STE TE Connectivity		
CHK ERIC D 16FEB2022			
APVD WENKE H 16FEB2022	NAME SMP LD PLUG ST SOLDER FOR PCB LAUNCH		
PRODUCT SPEC	-		
APPLICATION SPEC	-		
WEIGHT -	SIZE A3	CAGE CODE 00779	DRAWING NO C-2406861
CUSTOMER DRAWING	RESTRICTED TO -	SCALE 1:1	SHEET 1 OF 1
			REV A