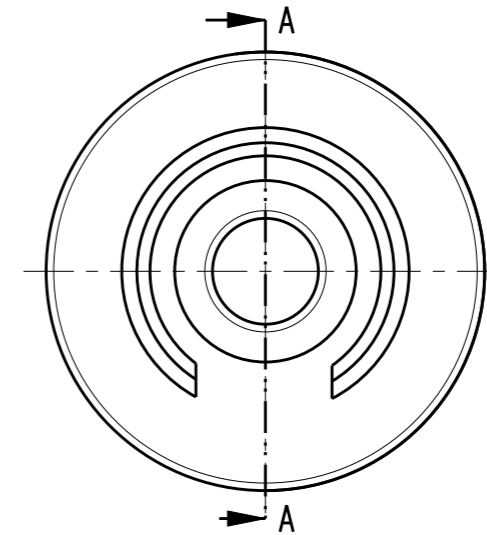
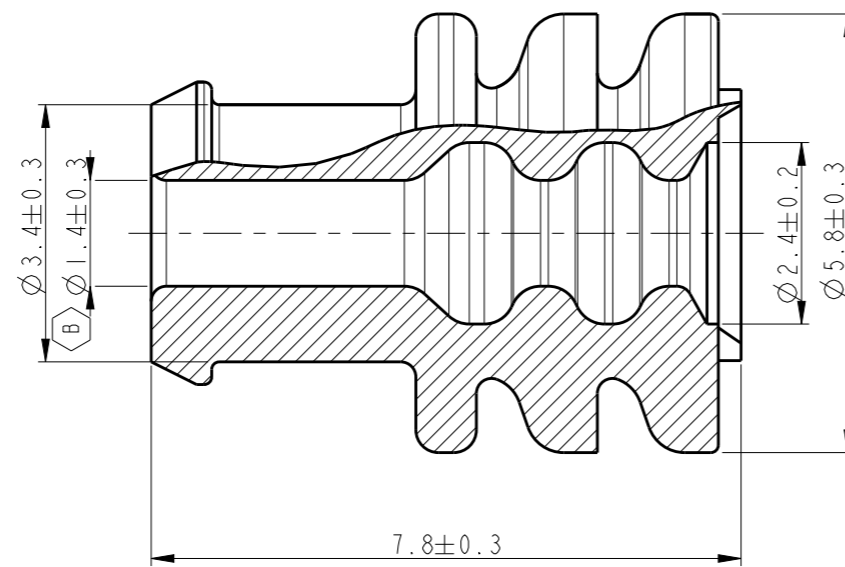


P	LTR	DESCRIPTION	DATE	DWN	APVD
	O	RELEASED (FC00-0020-00)	29FEB2000	YD	CS
	A	REVISED (FC00-0068-00)	31MAY2000	YD	CS
	B	REVISED (ECR-20-008916)	22JUL2020	YH	YJ



SECTION A-A
SCALE 10:1

NOTE :

P/N	MATERIAL	COLOR	HARDNESS	INSULATION
368933-1	SILICONE	WHITE	40±5° ^(B)	∅ 2.2~3.0mm

THIS DRAWING IS A CONTROLLED DOCUMENT.		DWN YD LEE																						
DIMENSIONS: mm		CHK -																						
TOLERANCES UNLESS OTHERWISE SPECIFIED:		APVD CS LFF	NAME WIRE SEAL FOR JPT(TYPE-11) WHITE																					
<table border="1"> <tr> <td>0 PLC</td> <td>±</td> <td>0 <XX<10</td> <td>± 0.2</td> </tr> <tr> <td>1 PLC</td> <td>±</td> <td>10 <XX<30</td> <td>± 0.25</td> </tr> <tr> <td>2 PLC</td> <td>±</td> <td>30 <XX</td> <td>± 0.3</td> </tr> <tr> <td>3 PLC</td> <td>±</td> <td>ANGLES</td> <td>± 3°</td> </tr> <tr> <td>4 PLC</td> <td>±</td> <td>ANGLES</td> <td>±</td> </tr> </table>		0 PLC	±	0 <XX<10	± 0.2	1 PLC	±	10 <XX<30	± 0.25	2 PLC	±	30 <XX	± 0.3	3 PLC	±	ANGLES	± 3°	4 PLC	±	ANGLES	±	PRODUCT SPEC -	RESTRICTED TO -	
0 PLC	±	0 <XX<10	± 0.2																					
1 PLC	±	10 <XX<30	± 0.25																					
2 PLC	±	30 <XX	± 0.3																					
3 PLC	±	ANGLES	± 3°																					
4 PLC	±	ANGLES	±																					
3rd ANGLE PROJECTION		APPLICATION SPEC -	SIZE A3	CAGE CODE 00779	DRAWING NO G-368933																			
MATERIAL TRD material_2		WEIGHT 0.13g	CUSTOMER DRAWING																					
FINISH -		SCALE 10:1	SHEET 1	OF 1	REV B																			