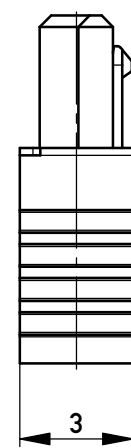
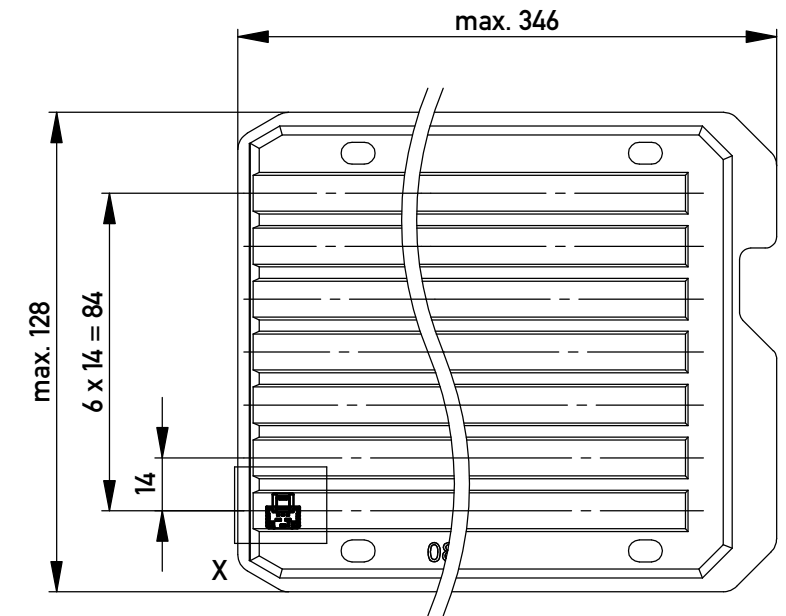


mit aufgesetzter
Drahtführung
(Anlieferungszustand)
with wire guide mounted
(state at time of supply)

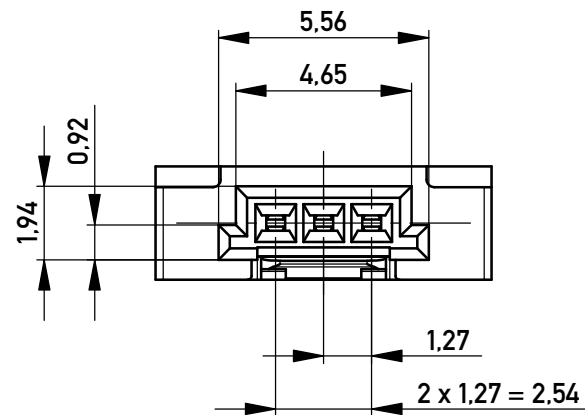
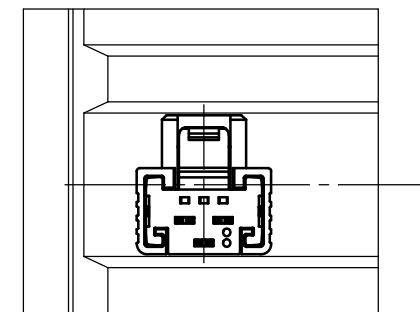


Drahtführung verpresst
(wire guide pressed on)

Verpackt in Tray - tray packaging
Verpackungseinheit 238 Stück - packaging unit 238 pcs



Einzelheit X - detail X
M 2:1



* Federkontakt AWG 22 - Female Contact AWG 22
Kabelführung ϕ 1,27 - cable guide ϕ 1,27

Copyright by ERNI GmbH
Proprietary notice pursuant to ISO 16016 to be observed.

Information:		Tolerances	 All Dimensions in mm	Scale	5:1
All rights reserved. Only for Information. To ensure that this is the latest version of this drawing, please contact one of the ERNI companies before using.		Subject to modification without prior notice. Drawing will not be updated.		Designation	1,27 SRC A SKV, 3-polig d=1,27 1,27 SRC A IDC, 3-pin d=1,27
 www.ERNI.com		394971		I A3	
Index	Date	Class		SRCA	