

## Mini Soft Touch Push-button Switches (6mm square) x 10 pack

PRODUCT ID: 3983

### DESCRIPTION

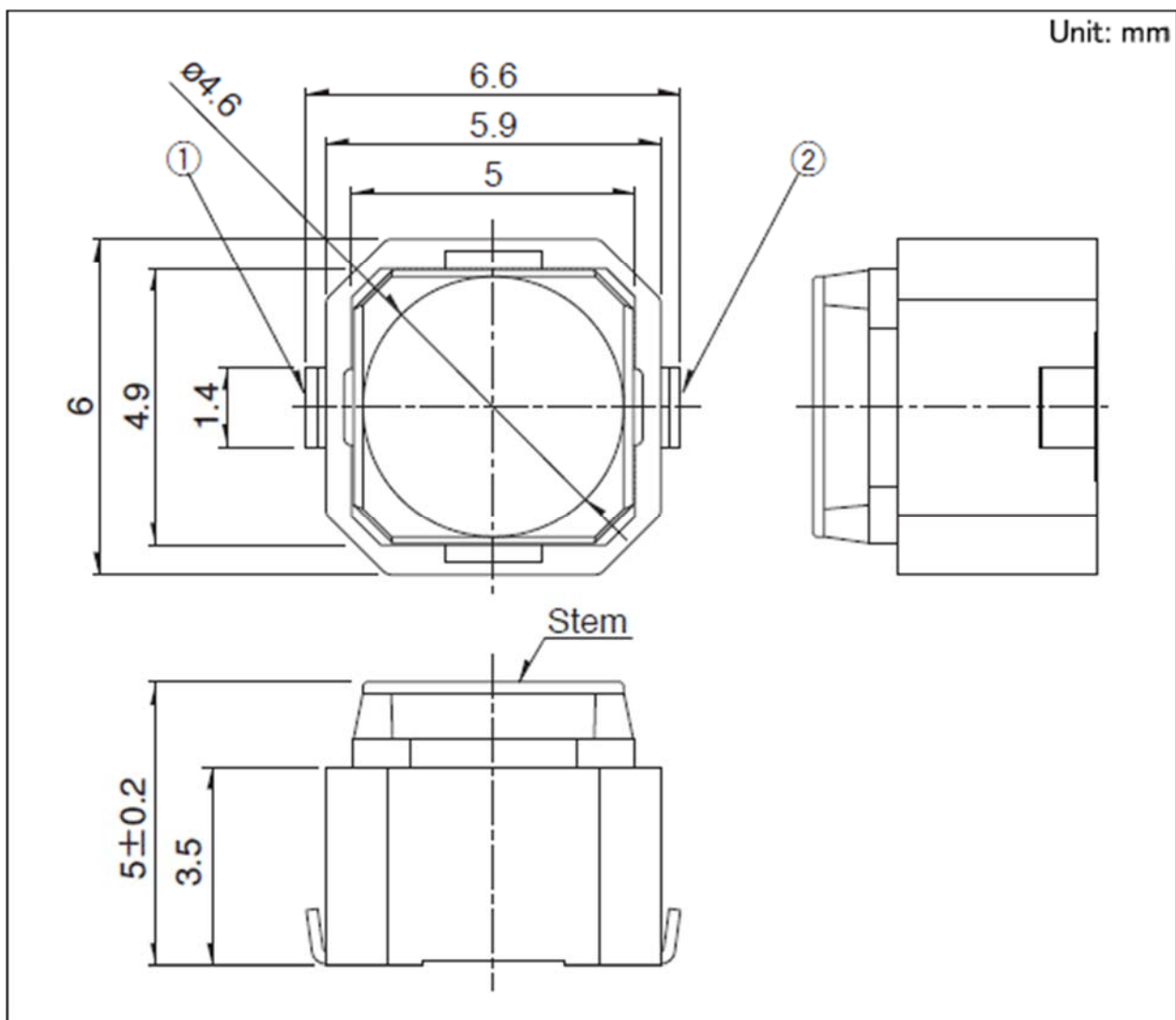
Put your project in stealth mode with these super slim, super tiny, and *silent* Mini Soft Touch Push-button Switches.

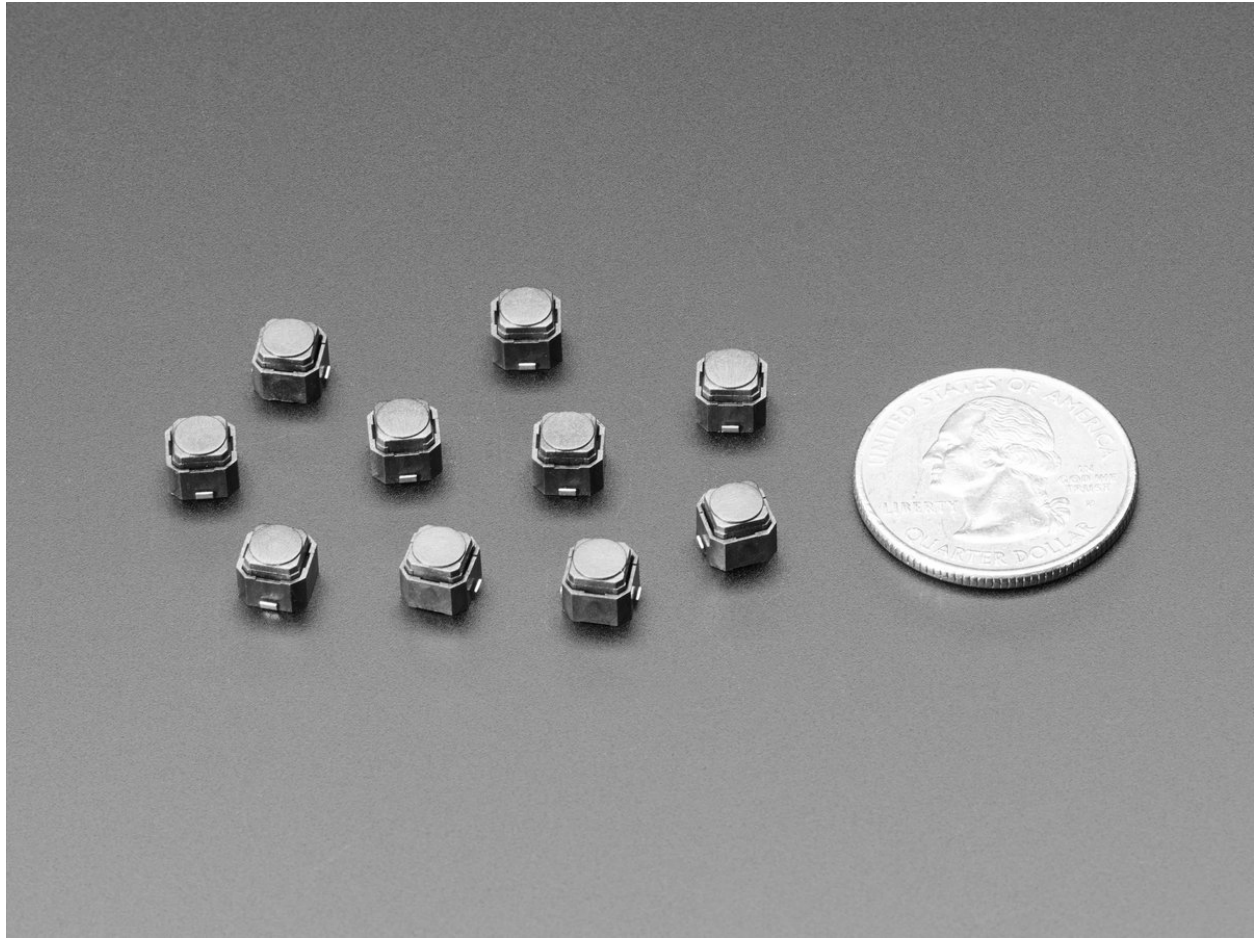
They're less 'clicky' than tactile switches, they have a rubbery elastomer that feels good to press. No dangly spider-leg-pins to solder as these buttons are SMD. We see these often in little game arcade pad layouts due to their small size and soft feel.

They come in a pack of 10, and they're pretty handy so you'll want to keep them around.

## TECHNICAL DETAILS

- Dimensions: 6 x 6 x 5mm





<https://www.adafruit.com/product/3983/1-3-19>