

REVISIONS			
REV	ECN, ERN NO.	DATE	APPRD.
C	PRODUCT DRAWING (EAR 14658)	MAY07/18	K.L.

MECHANICAL DATA:

MATERIALS: ALL MATERIALS ARE RoHS COMPLIANT

SHELL: STEEL, NICKEL PLATED

INSERTS: HIGH TEMPERATURE RESISTANT NYLON, GLASS REINFORCED, UL FLAMMABILITY RATING 94V-0, COLOUR: BLACK

CONTACTS: COPPER ALLOY, GOLD PLATING (SEE ORDERING CODE) OVER 50µ" [1.27 MICRONS] NICKEL ON ENGAGEMENT AREA WITH 100µ" [2.54 MICRONS] MIN. MATTE TIN ON CONTACT TERMINALS.

BOARDLOCK: COPPER ALLOY, TIN PLATED

ELECTRICAL DATA:

CURRENT RATING: 5 AMP

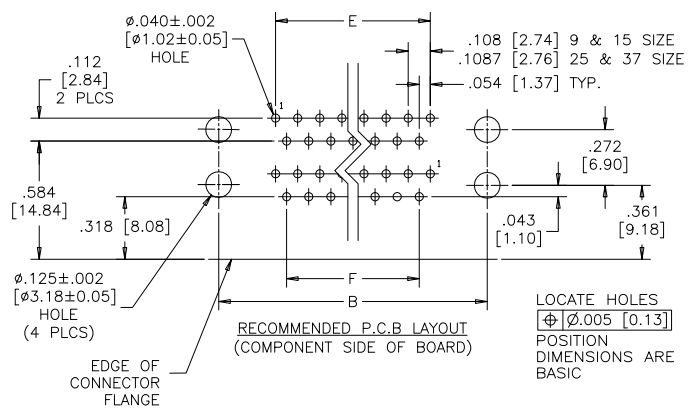
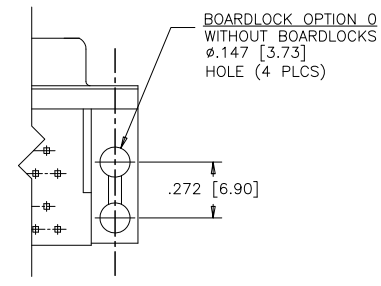
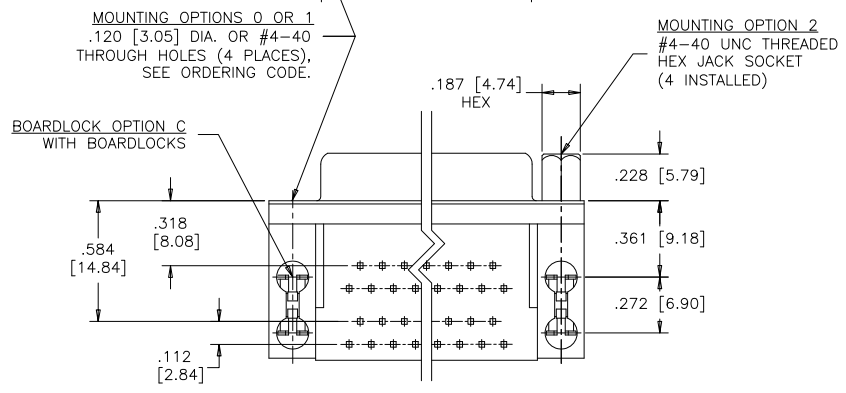
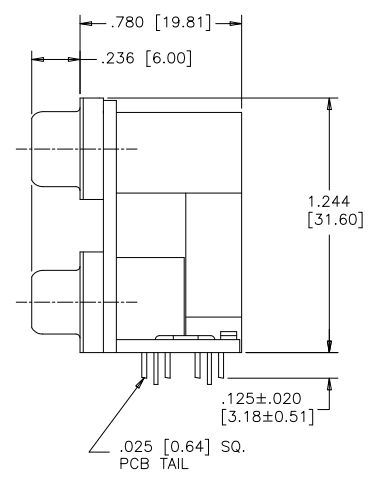
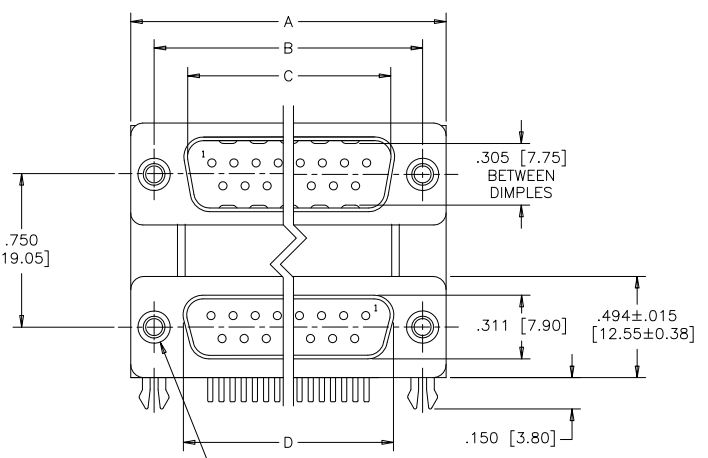
CONTACT RESISTANCE: 15 MILLIOHMS MAX.

INSULATION RESISTANCE: 3000 MEGOHMS MIN.

DIELECTRIC WITHSTANDING VOLTAGE: 1000 VAC rms

OPERATING TEMPERATURE: -55°C TO +105°C

SIZE	A	B	C	D	E	F
9 OVER 9 18 CONTACTS	1.213 [30.81]	.984 [24.99]	.666 [16.92]	.643 [16.33]	.432 [10.97]	.324 [8.23]
15 OVER 15 30 CONTACTS	1.541 [39.14]	1.312 [33.32]	.994 [25.25]	.971 [24.66]	.756 [19.20]	.648 [16.46]
25 OVER 25 50 CONTACTS	2.088 [53.04]	1.852 [47.04]	1.534 [38.96]	1.511 [38.38]	1.304 [33.12]	1.196 [30.38]
37 OVER 37 74 CONTACTS	2.729 [69.32]	2.500 [63.50]	2.182 [55.42]	2.159 [54.84]	1.956 [49.68]	1.848 [46.94]



ORDERING CODE:

PART NUMBER: 6 E 1 7 H - C 1 8 G A J - 1 0 3

SERIES —————

BOARDLOCK OPTION
C=WITH BOARDLOCKS
O=WITHOUT BOARDLOCKS

NUMBER OF CONTACTS —————
18=2 x 9
30=2 x 15
50=2 x 25
74=2 x 37

STYLE —————
G=PIN OVER SOCKET,
.750" [19.05] PORT SPACING

SHELL CHARACTERISTICS
03=STEEL SHELLS, NICKEL PLATED, PLUG SHELL WITH GROUNDING DIMPLES AND RECEPTACLE SHELL WITHOUT DIMPLES

MOUNTING OPTIONS
0=Ø.120" [3.05] CLEAR HOLE
1=#4-40 THREADED HOLE
2=MOUNTING OPTION 1 WITH #4-40 UNC HEX JACK SOCKETS INSTALLED

CONTACT PLATING OPTIONS
BF=ENGAGEMENT AREA GOLD FLASH.
CF=ENGAGEMENT AREA 15µ" [0.38 MICRONS] GOLD
AJ=ENGAGEMENT AREA 30µ" [0.76 MICRONS] GOLD

THIS DOCUMENT CONTAINS PROPRIETARY INFORMATION AND SUCH INFORMATION MAY NOT BE DISCLOSED TO OTHERS FOR ANY PURPOSE OR USED FOR MANUFACTURING PURPOSES WITHOUT WRITTEN PERMISSION FROM AMPHENOL CANADA CORP.



DRAWN	J.LEE	DATE	OCT04/06
DESIGNED			
CHECKED	K.LAMBIE	OCT04/06	
I. E. APPRD.			
Q. A. APPRD.			
DWG. APPRD.			
ENG. REL. NO.		DWG	DRAWING NO.
REF.	EAR 12957	C	P-6E17H-XXXGXX-X03
DIMENSIONS ARE IN	CODE ID. NO.	SCALE	WT.
INCHES	03554	2/1	

Amphenol Canada Corp.

6E17H SERIES DUAL PORT CONNECTOR, PIN OVER SOCKET, .750" [19.05] SPACING, PLATING & MOUNTING OPTIONS, RoHS COMPLIANT

DWG C P-6E17H-XXXGXX-X03 C

REVISIONS: SHEET 1 OF 1