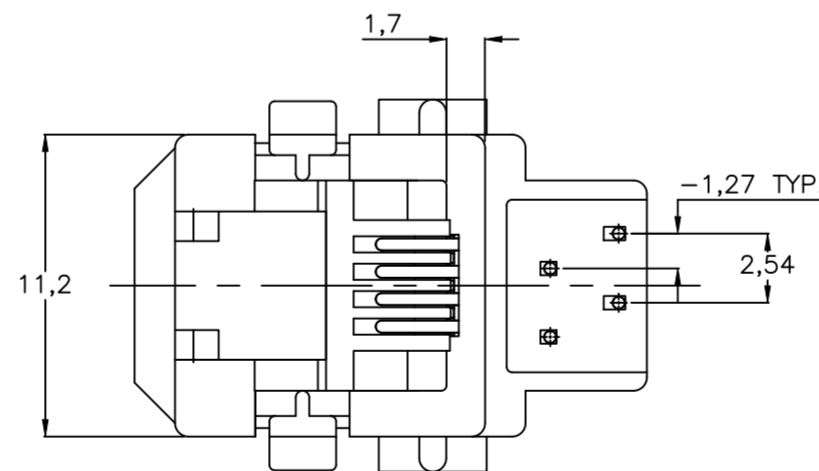
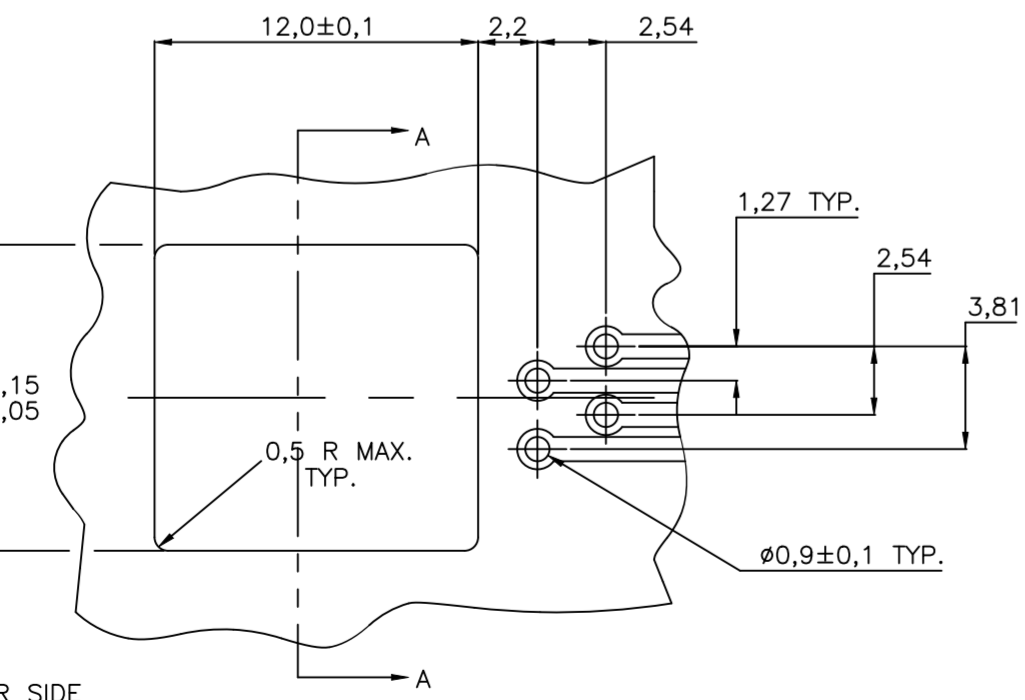
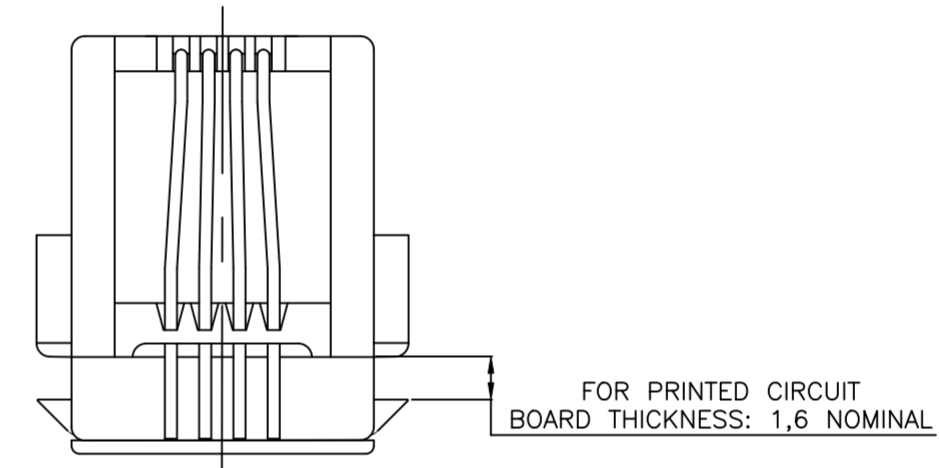
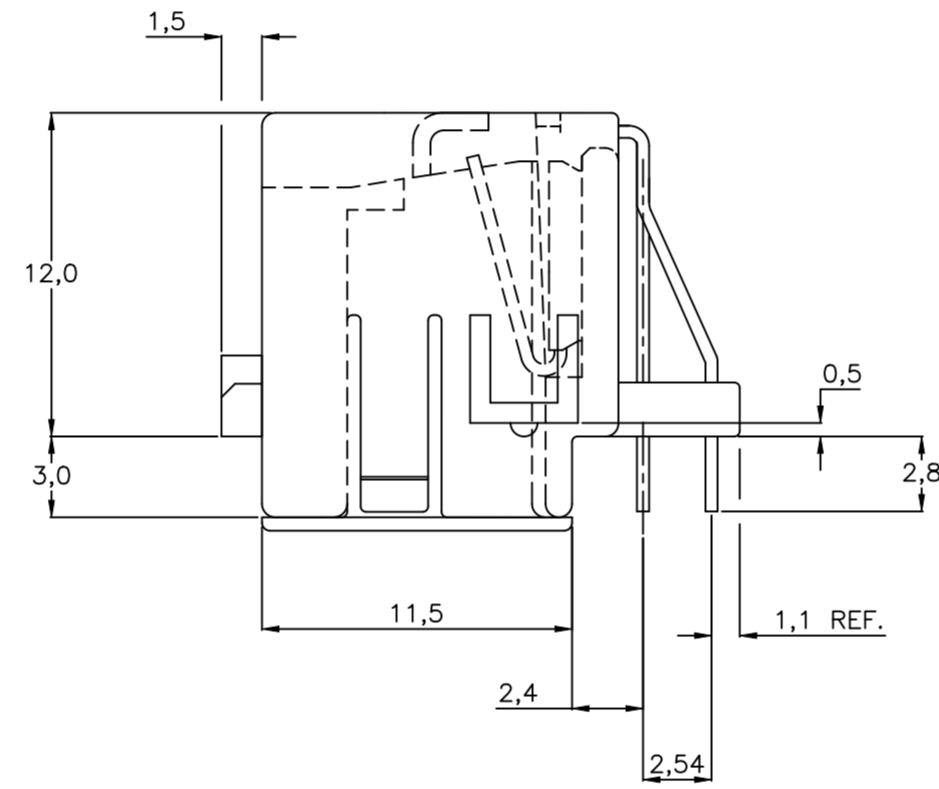
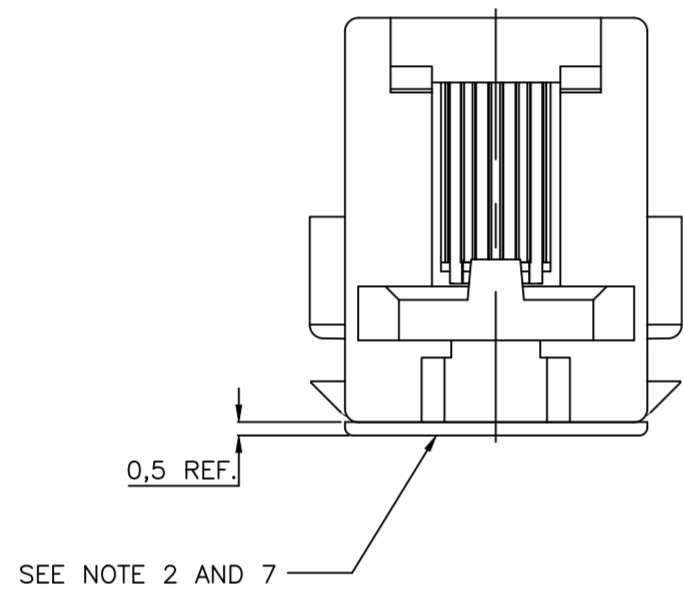
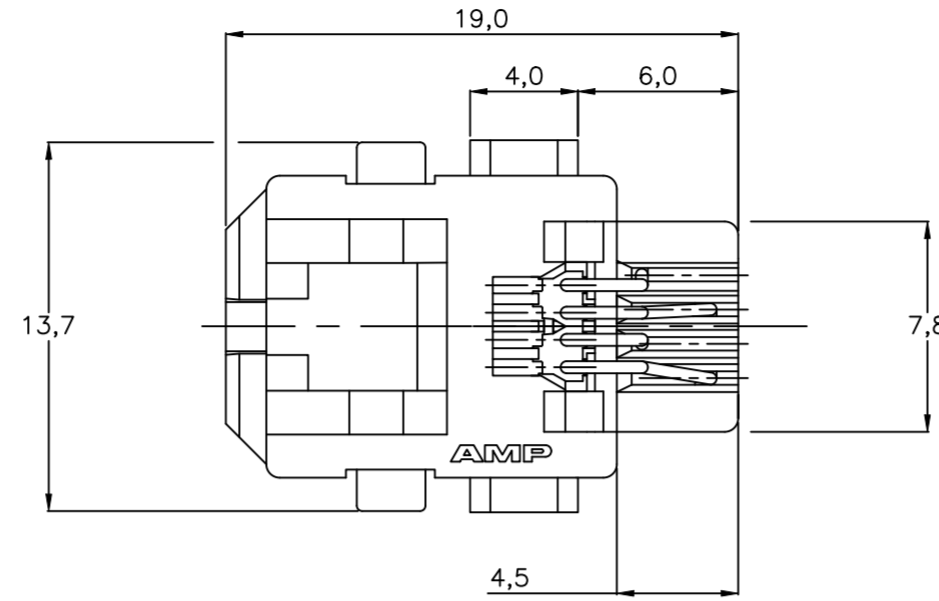


P	LTR	DESCRIPTION	DATE	DWN	APVD
P4		REVISED PER ECN-23-209787	24APR2023	AB	SZ

NOTES:

- TOLERANCES UNLESS OTHERWISE SPECIFIED:  $\pm 0,15$ .
- MODULAR JACK P.N. 216444-1, 216444-2, 3-216444-1, 4-216444-1 ARE DELIVERED WITH PLASTIC SOLDER STOP INSTALLED, TO PREVENT SOLDER ENTERING THE JACK. REMOVE SOLDER STOP AFTER SOLDERING.
- FOR PERFORMANCE REQUIREMENTS SEE TE PRODUCT SPECIFICATION 108-19064.
- FOR APPLICATION REQUIREMENTS SEE TE APPLICATION SPECIFICATION 114-19019.
- FOR PACKAGING SEE SHEET 2.
- PREFERRED DIRECTION FOR STAMPING OF HOLE TO OBTAIN A BROKEN EDGE AT JACK ENTRY SIDE.
- TRUE POSITIONING OF THE SOLDER TINES MAY BE AFFECTED BY BULK PACKAGING. THE SOLDER STOP COULD BE LOOSENED DURING TRANSPORT.
- MODULAR JACK PN 9-216444-9 IS DELIVERED WITHOUT SOLDER STOP SO CUSTOMER HAS TO VERIFY THIS PART BEFORE CONSIDERING FOR MASS PRODUCTION.



REMARKS	PACKAGING	FINISH	MATERIAL	PARTNUMBER
800pcs PER 60cm DIA REEL	4 POS. / 4 CONTACTS WITH SOLDER STOP	CONTACTS: 1,25µm MIN. GOLD OVER	HOUSING: 20% G.F. NYLON COLOR: BLACK UL 94-HB CONTACTS: PHOS. BRONZE	9-216444-9
BULK PACKED 800PCS IN A BOX	4 POS. / 4 CONTACTS WITHOUT SOLDER STOP	CONTACTS: 1,25µm MIN. NICKEL IN CONTACT AREA. 1,25µm MIN. TIN-LEAD OVER 1,25µm MIN. NICKEL ON SOLDER TINES.	HOUSING: 25% G.F. NYLON COLOR: BLACK UL 94V-0 CONTACTS: PHOS. BRONZE	216444-2
BULK PACKED 500pcs. IN A BOX	4 POS. / 4 CONTACTS WITH SOLDER STOP BULK PACKAGED 500 pcs/BOX		HOUSING: 20% G.F. NYLON COLOR: BLACK UL 94-HB CONTACTS: PHOS. BRONZE	4-216444-1
BULK PACKED 1000pcs. IN A BOX	4 POS. / 4 CONTACTS WITH SOLDER STOP BULK PACKAGED 1000 pcs/BOX			3-216444-1
800pcs PER 60cm DIA REEL	4 POS. / 4 CONTACTS WITH SOLDER STOP FOR PACKAGING SEE SHEET 2			216444-1

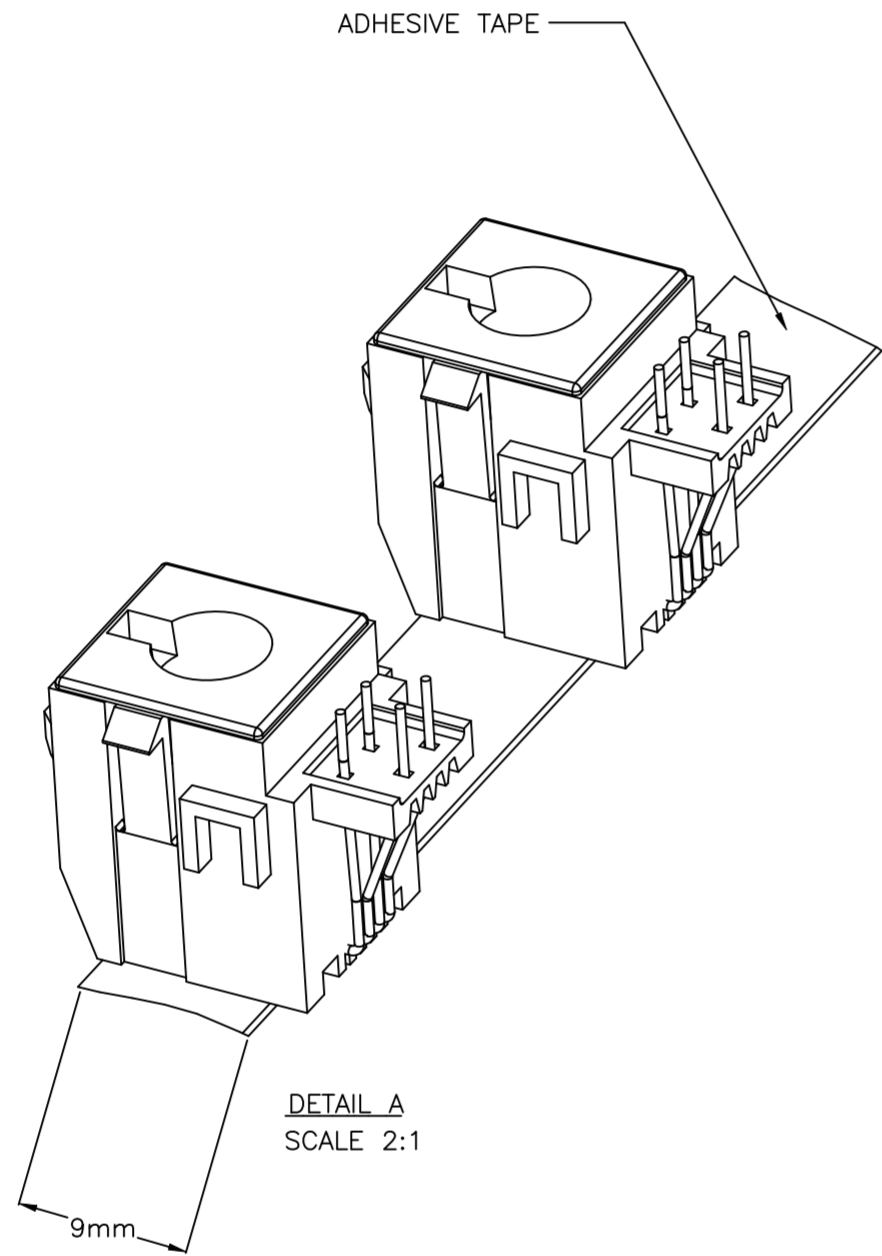
PRINTED CIRCUIT BOARD LAYOUT  
TOLERANCES UNLESS OTHERWISE SPECIFIED:  $\pm 0,05$

THIS DRAWING IS A CONTROLLED DOCUMENT.

DIMENSIONS: mm	TOLERANCES UNLESS OTHERWISE SPECIFIED:	DWN: E.V.EIJK	17DEC96	TE Connectivity Ltd. MODULAR JACK, 4 POS. BOTTOM ENTRY VERSION FOR PRINTED CIRCUIT BOARD MOUNTING
0 PLC ± -	1 PLC ± -	CHK: W. BRUMMANS	NAME: R. SMEETS	
2 PLC ± -	3 PLC ± -	APVD: R. SMEETS	PRODUCT SPEC	
4 PLC ± -	ANGLES ± -	APPLICATION SPEC	FINISH	
MATERIAL	FINISH	WEIGHT	SIZE: A2	CAGE CODE: 00779
			DRAWING NO: C-216444	RESTRICTED TO
			CUSTOMER DRAWING	SCALE: NTS
			SHEET: 1 of 2	REV: P4

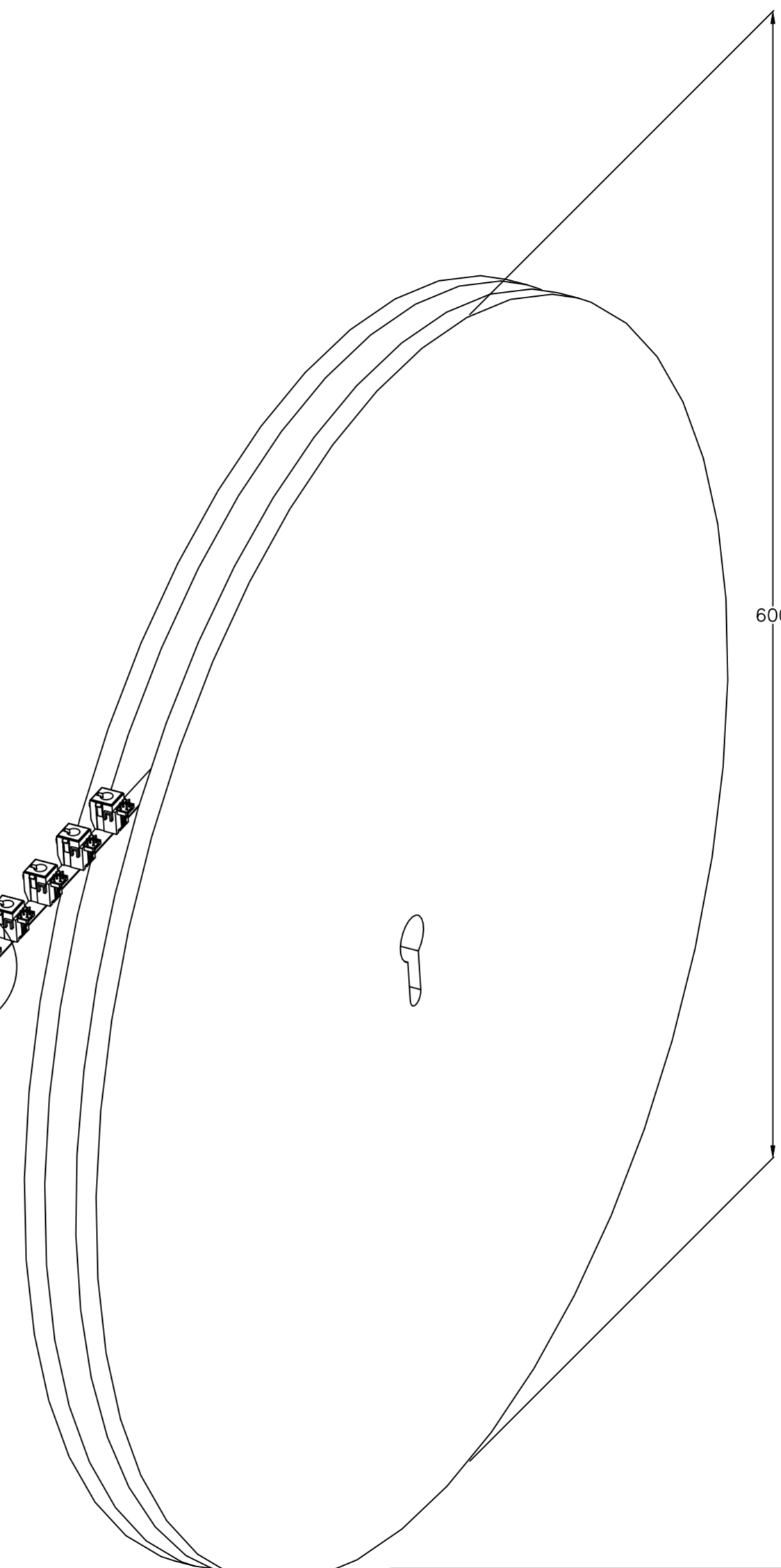
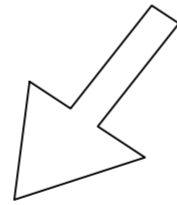
REVISIONS

P	LTR	DESCRIPTION	DATE	DWN	APVD
-	-	SEE SHEET 1	-	-	-



SEE DETAIL-A

REEL-OFF DIRECTION



THIS DRAWING IS A CONTROLLED DOCUMENT.		DWN E.V.EIJK CHK W. BRUMMANS APVD R. SMEETS PRODUCT SPEC	17DEC96	TE Connectivity Ltd.	
DIMENSIONS: mm 		TOLERANCES UNLESS OTHERWISE SPECIFIED: 0 PLC ± - 1 PLC ± - 2 PLC ± - 3 PLC ± - 4 PLC ± - ANGLES ± -		NAME 4 POS. BOTTOM ENTRY MODULAR JACK PACKAGING	
MATERIAL		WEIGHT		SIZE A2	CAGE CODE 00779
		FINISH		DRAWING NO C-216444	RESTRICTED TO
CUSTOMER DRAWING				SCALE NTS	SHEET 2 of 2
				REV P4	