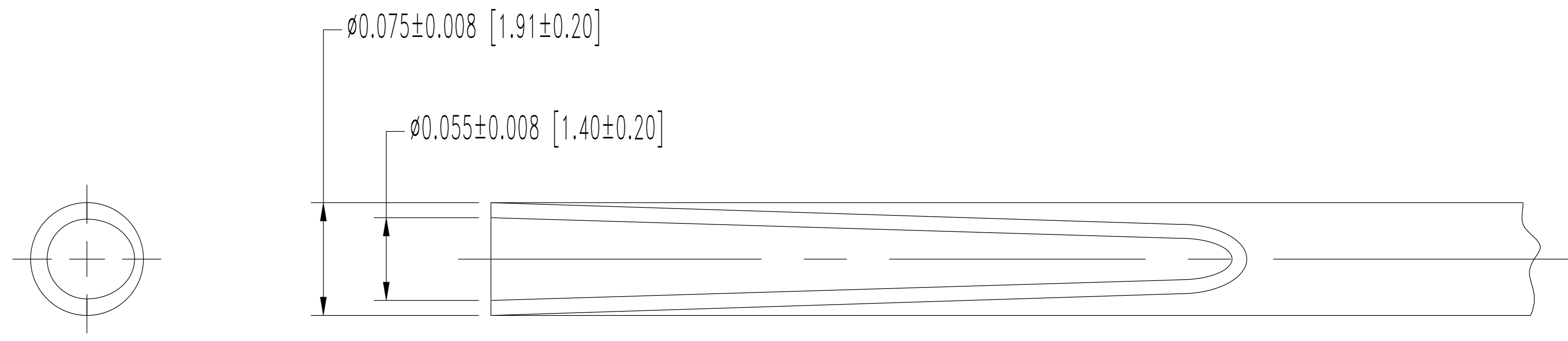
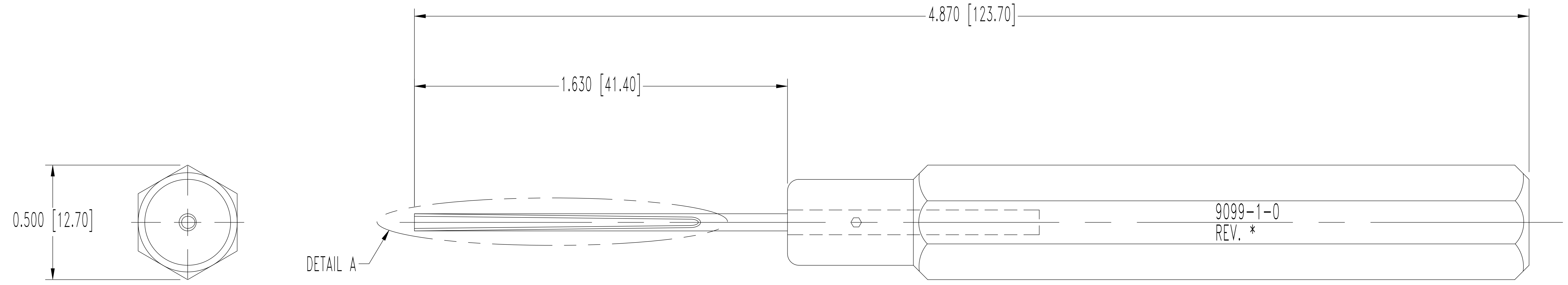


SK5973

THIS DRAWING CONTAINS INFORMATION PROPRIETARY TO POSITRONIC AND ITS SUBSIDIARIES. POSITRONIC BELIEVES THE DATA ON THIS DRAWING TO BE RELIABLE, SINCE THE TECHNICAL INFORMATION IS GIVEN FREE OF CHARGE, THE USER EMPLOYS SUCH INFORMATION AT HIS OWN DISCRETION AND RISK. POSITRONIC ASSUMES NO RESPONSIBILITY FOR RESULTS OBTAINED OR DAMAGES INCURRED FROM USE OF SUCH INFORMATION IN WHOLE OR IN PART.

DATE	REV	REVISION RECORD	APP	DR	CK
2-2-05	NC	ECO 23608	RCW	YK	TK
12-31-13	A	ECO 41825	TK	MP	COLE



DETAIL A

NOTES:  
1. DIMENSIONS ARE IN INCHES [MILLIMETERS].

 <b>POSITRONIC INDUSTRIES INC.</b> SPRINGFIELD, MISSOURI 65801		SCALE	DRAWN BY
DECIMAL TOL.	SGMC SERIES	N.T.S.	YK
$\pm 0.015$ [0.38]	TITLE	APPROVED BY	RCW
	9099-1-0-0		
ANGULAR TOL.	DATE	DRAWING NUMBER	REV.
$\pm$ N/A	2-2-05	SK5973	A