

# CGA8R4C0G2J473J320KA

TDK Item Description : CGA8R4C0G2J473JT\*\*\*



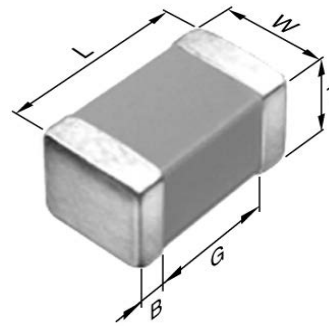
Equivalent C4532C0G2J473J for Automotive

## Application & Main Feature

Automotive Grade ( Mid Voltage (100 to 630V) )

## Series

CGA8(4532) [EIA 1812]



## Dimensions

L	4.50mm ±0.40mm
W	3.20mm ±0.40mm
T	3.20mm ±0.30mm
B	0.20mm Min.
G	

## Temperature Characteristic

C0G (-55 to 125 degC 0+/-30ppm/degC)

## Rated Voltage

2J(630Vdc)

## Capacitance

47nF

## Capacitance Tolerance

J (±5%)

## Q Factor

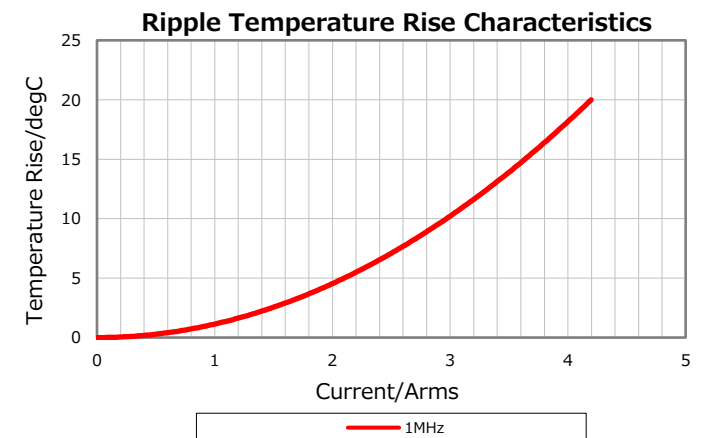
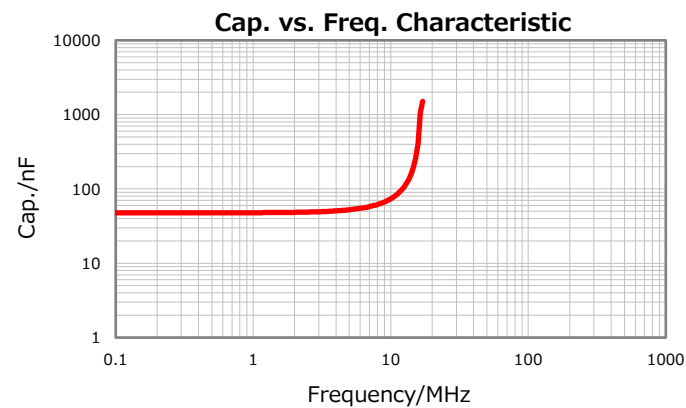
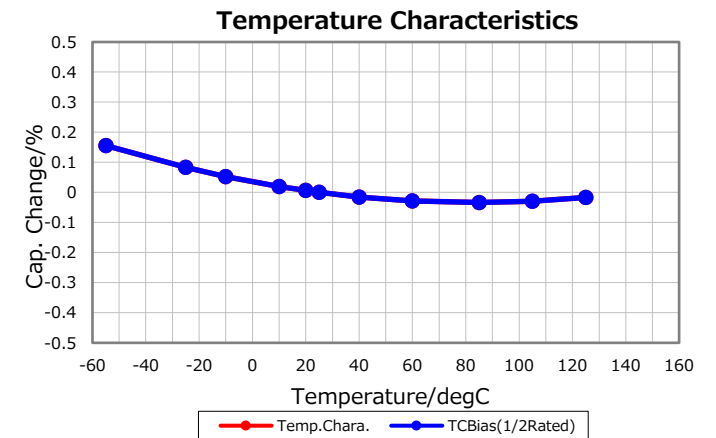
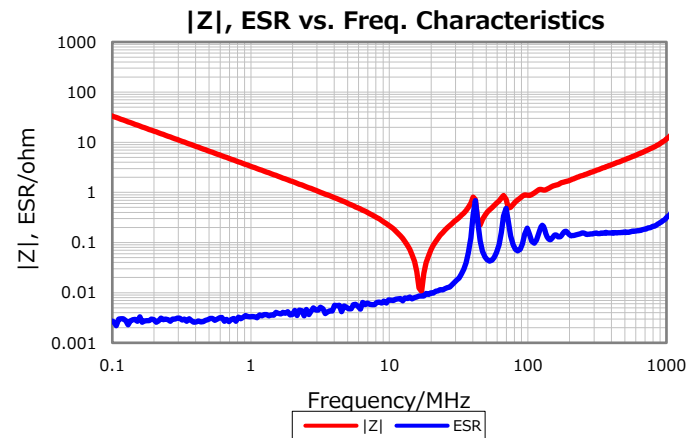
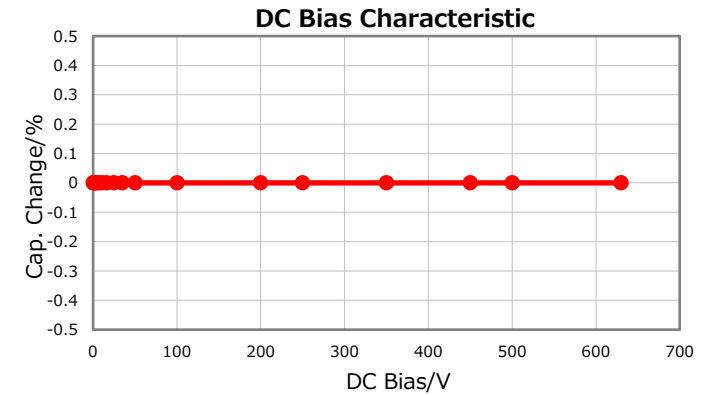
1000 Min.

## Insulation Resistance

10Gohm Min

## AEC-Q200

Yes



Characterization Sheet ( Multilayer Ceramic Chip Capacitors )



All specifications are subject to change without notice.

May 22, 2019