

深圳市昱申科技有限公司

CHINA YOUNG SUN LED TECHNOLOGY CO., LTD.

TEL: (86) 755-28079401 28079402 28079403 28079404 28079405

FAX: (86) 755-28079407 E-mail: info@100LED.com Web: www.100LED.com

Model No.: YSH-FRGBB-IA

Applications:

- Decorations
- Advertisement, Wall-washer, Under water lamp, Garden lamp.
- Illuminations
- Flood Lights

Characteristics:

- Copper Frame, High Lumen Maintenance.
- Low Heat resistor, reflow soldering available, reliable, wide angle, easy to install
- Economic energy, environmental protection, long life, no ultraviolet radiation.
- Use 1W Power LED as light source.
- Strictly accord with CE & ROHS Instruction.

Code System:

YSH-FRGBB- IA

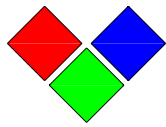
Y	S	H	-	F	R	G	B	B	-	I	A
1	2	3		4	5	6					

1. Company Code, short for Young Sun
2. Code for High Power LED series.
3. Code for Power Dissipation.
4. Code for Wavelength Color .
5. Code for Luminous Intensity grade.
6. Code for Aluminium Heat Sink (Y:YES N:NO)

Address: 5/F, Building B, Anzhilong Indl., Qinghua East Road., Longhua Town, Shenzhen CHINA. 518109

www.100LED.com

ONE HUNDRED LED
PERFECT LED



深圳市昱申科技有限公司

CHINA YOUNG SUN LED TECHNOLOGY CO., LTD.

TEL: (86) 755-28079401 28079402 28079403 28079404 28079405

FAX: (86) 755-28079407 E-mail: info@100LED.com Web: www.100LED.com

Absolute Maximum Ratings: (Ta=25°C) .

ITEMS	Symbol	Absolute Maximum Rating	Unit
Forward Current	I_F	350	mA
Peak Forward Current	I_{FP}	370	mA
Suggestion Using Current	I_{su}	350-370	mA
Reverse Voltage	V_R	5	V
Power Dissipation	P_D	1400	mW
Operation Temperature	T_{OPR}	-25 ~ +80	°C
Storage Temperature	T_{STG}	-40 ~ +100	°C
Lead Soldering Temperature	T_{SOL}	Max. 260°C for 3 Sec. Max. (3mm from the base of the epoxy bulb)	

Detail:

ITEMS	Symbol	Color	Min.	Typ.	Max.	Unit	Test condition
Forward Voltage	V_F	Red	2.2	2.4	2.6	V	I _F =350mA
Luminous Flux	Φ_V		30	35	40	LM	
Wavelength	$\Delta \lambda$		620	625	630	nm	
Forward Voltage	V_F	Blue	3.2	3.4	3.6	V	
Luminous Flux	Φ_V		10	13	15	LM	
Wavelength	$\Delta \lambda$		460	463	465	nm	
Forward Voltage	V_F	Green	3.2	3.5	3.8	V	
Luminous Flux	Φ_V		50	57	60	LM	
Wavelength	$\Delta \lambda$		520	522	525	nm	
50% Viewing Angle	$2\theta_{1/2}$	RGB	---	120	---	deg	
Aeg(°)	θ_r		---	150	---		
Reverse Current	I_R		---	---	10	uA	V _R =5V

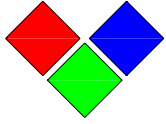
 Luminous flux tolerance $\pm 4\%$.

 Forward voltage tolerance $\pm 0.1V$.

Address: 5/F, Building B, Anzhilong Indl., Qinghua East Road., Longhua Town, Shenzhen CHINA. 518109

www.100LED.com

ONE HUNDRED LED
PERFECT LED



深圳市昱申科技有限公司

CHINA YOUNG SUN LED TECHNOLOGY CO., LTD.

TEL: (86) 755-28079401 28079402 28079403 28079404 28079405

FAX: (86) 755-28079407 E-mail: info@100LED.com Web: www.100LED.com

Detail:

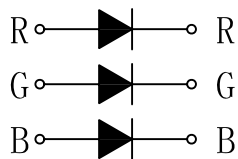
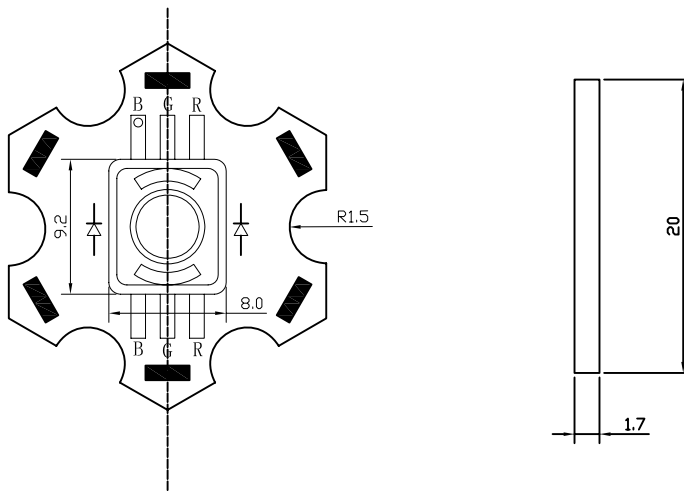
Model No.	LED CHIP		Surface Color
	Material	Color	
YSH-FRGGBB-IA	InGaN	RGB	White

Mechanical Dimensions:

All dimension are in mm, tolerance is ± 0.2 mm unless otherwise noted

LED is sensitive to static, be sure your equipments are anti-static when you use our LED. The better heat dissipation, the longer lifespan of LED.

Unit: mm

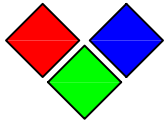


Address: 5/F, Building B, Anzhilong Indl., Qinghua East Road., Longhua Town, Shenzhen CHINA. 518109

www.100LED.com

ONE HUNDRED LED

PERFECT LED



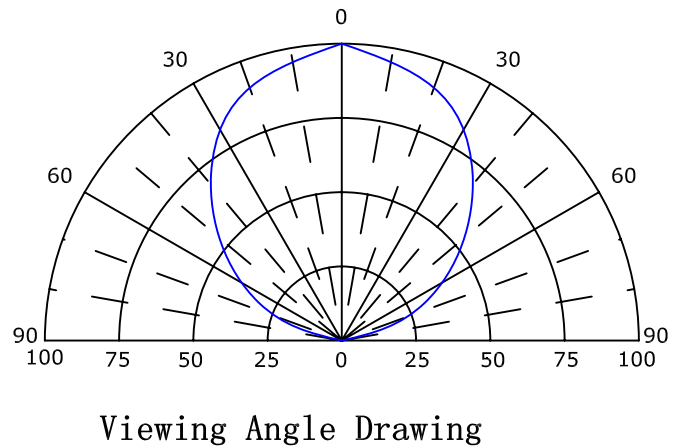
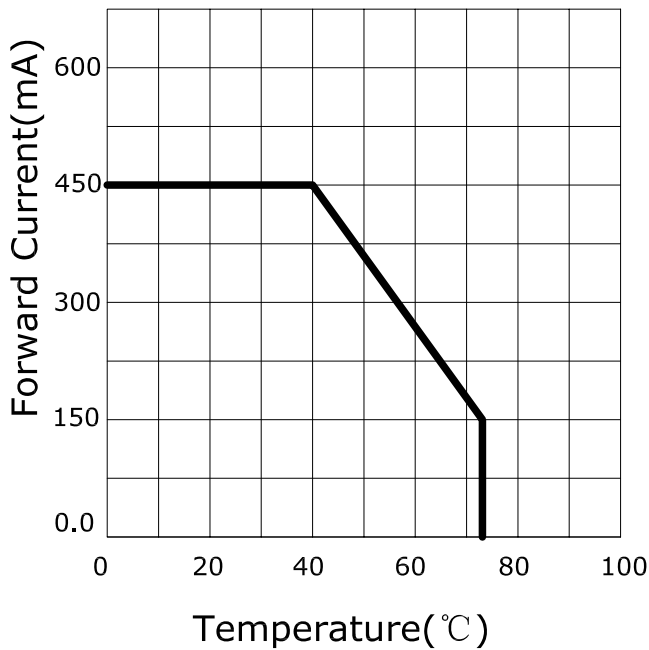
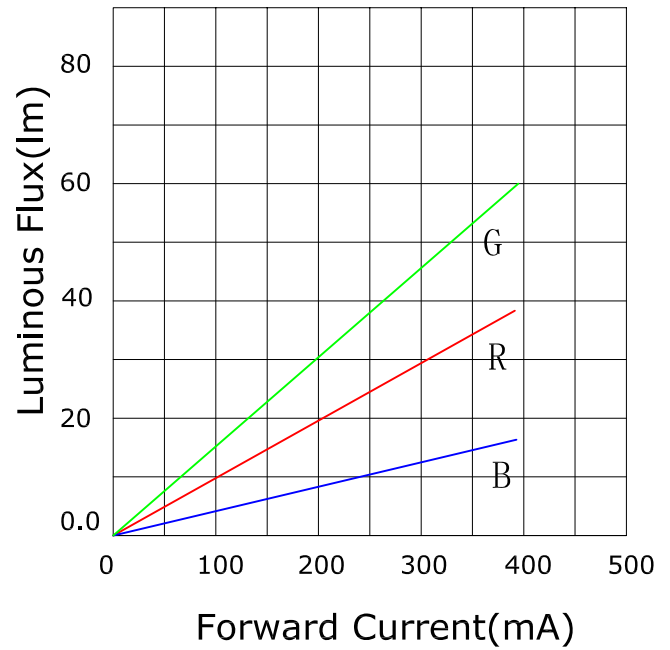
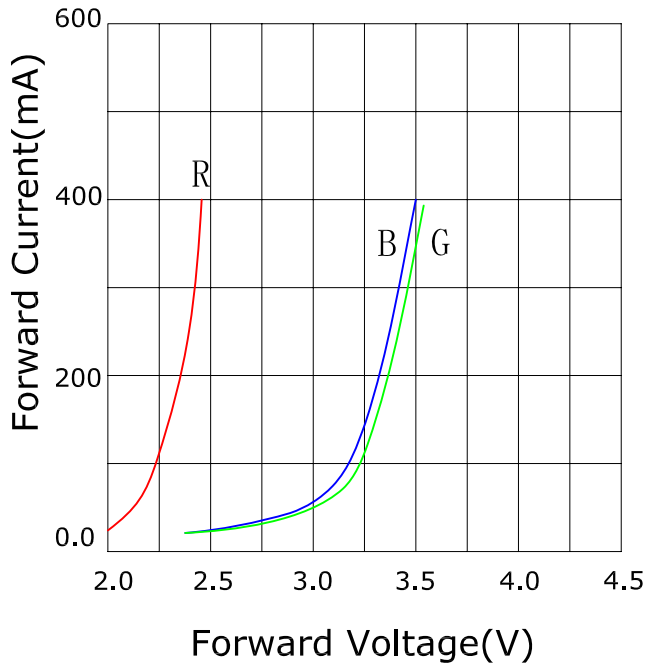
深圳市昱申科技有限公司

CHINA YOUNG SUN LED TECHNOLOGY CO., LTD.

TEL: (86) 755-28079401 28079402 28079403 28079404 28079405

FAX: (86) 755-28079407 E-mail: info@100LED.com Web: www.100LED.com

Electronical & Optical Characteristics Diagram:



Address: 5/F, Building B, Anzhilong Indl., Qinghua East Road., Longhua Town, Shenzhen CHINA. 518109

www.100LED.com

ONE HUNDRED LED
PERFECT LED