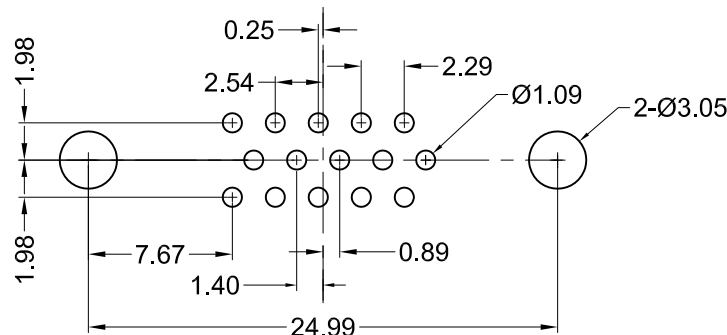
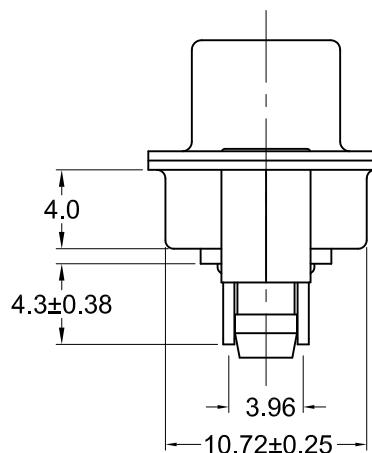
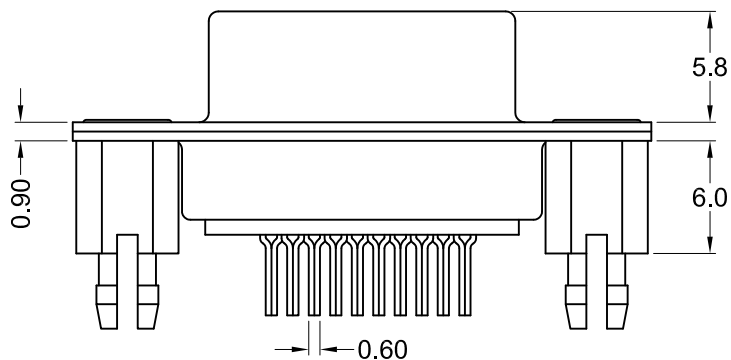


#4-40 UNC  
Threaded Insert



Recommended PCB Layout  
(Top View)



**Material and Finish**

- Shell: Steel, nickel plated
- Insulator: PBT thermoplastic with glass-fiber reinforcement, UL94V-0 rated  
Color: Black
- Contact Material:  
Socket - Brass
- Contact Plating Options:  
Standard: gold flash on mating end, tin on termination end, nickel underplate on entire contact
- 15 Option: 15u" gold on mating end, tin on termination end, nickel underplate on entire contact
- 30 Option: 30u" gold on mating end, tin on termination end, nickel underplate on entire contact

**Electrical Specifications**

- Rated Current: 1.5A
- Rated Voltage: 30Vac
- Insulation Resistance:  
more than 1000 megohms at 500V DC
- Contact Resistance:  
13 milliohms max.
- Dielectric Withstanding Voltage:  
1000V for 1 minute
- Operating Temperature:  
-55°C to +75°C

Part Number	Gold Option
K86X-ED-15S-BR	Gold Flash (standard)
K86X-ED-15S-BR15	15u" Gold (15 option)
K86X-ED-15S-BR30	30u" Gold (30 option)

Tolerances
X.X ± 0.25
X.XX ± 0.15
Unless Stated Otherwise



REV.	DATE	DESCRIPTION	REV. BY	CHK. BY	DRAWN BY	DATE
A1	01/06/06	New Drawing	R. Aguirre	H. MA	R. Aguirre	01/06/06
A2	1/17/08	ECO# 07-052	WILL H.	H. MA		
A3	11/24/09	Correct Dim position	S. Vien	H. MA		
A4	10/7/14	ECO#14-028	H. MA	P. DalCanto		
A5	12/31/17	ECO #17-033	J. Elbanna	C. Furumasu		

**K86X-ED-15S-BR**

High Density Vertical Mount D-Sub, RoHS Compliant

15 pin socket, boardlocks

