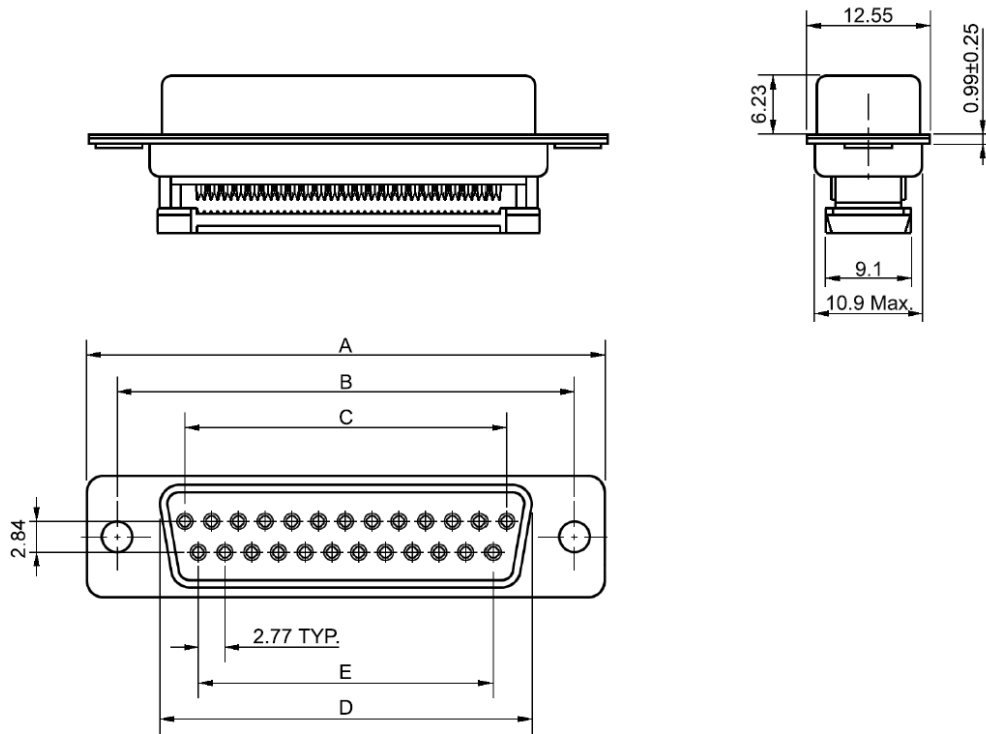


No.	Changes and/or Note No.	Date	Intr.	No.	Changes and/or Note No.	Date	Intr.



UNIT: (mm)

**DIMENSIONS**



Size:	A	B	C	D	E	Part No:
09P	30.81	24.99	11.08	16.33	8.31	MH10575
15P	39.14	33.32	19.39	24.66	16.62	MH10576
25P	53.04	47.04	33.24	38.38	30.47	MH10577
37P	69.36	63.50	49.86	54.84	47.09	MH10578

**Material Specification:**

Shell: Steel, Tin Plated (Standard)  
 Insulator: Glass Filled PBT, UL 94 V-0  
 Contacts: Copper Alloy  
 Plating: 1.5µ Tin and 0.2µ Gold

**Electrical Specification:**

Current Rating: 1.5 Amp  
 Contact Resistance: less than 10 mΩ  
 Test Voltage: 1000V  
 Operating Temperature: -55°C to +125°C

DATE 24/10/2011	DRAWN MRR	SCALE	MATERIAL TYPE
	APPROVED		REPLACES
			105 - Series Sub-D IDC Female 3.1mm Through Holes
			 DRAWING No