

B0643-SCH-01

RD4-2600 -- Mystique STDP2600 (HDMI to DP++) Reference Design

PCB# 400-627

### Revision History

SCHEMATIC	SHEET
01. Contents, Revision History	1
02. Block Diagram	2
03. Regulators	3
04. HDMI Input	4
05. STDP2600 System Section	5
06. STDP2600 Power Section	6
07. DPTX Output	7

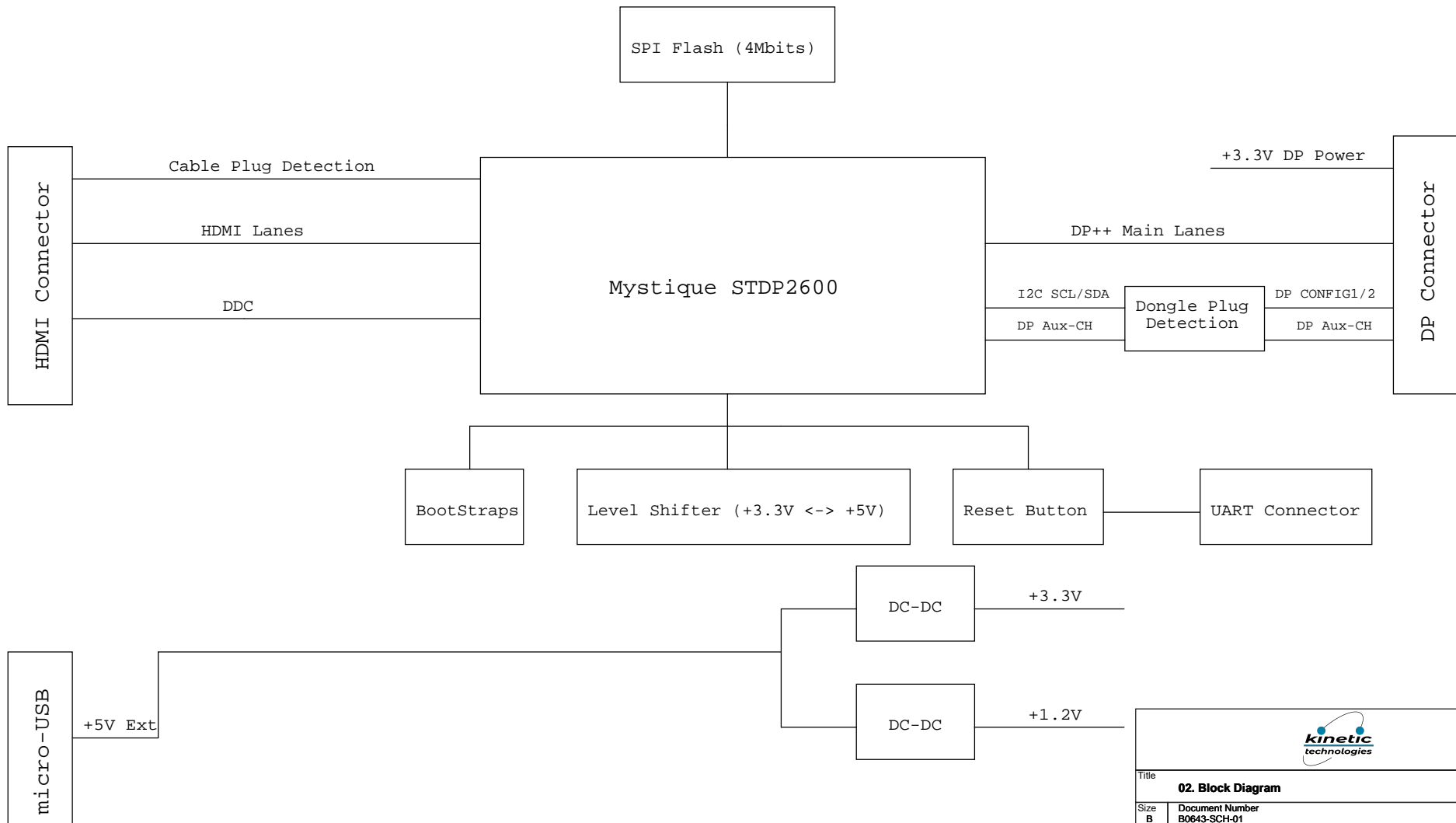
Date	Version	Comments
4/12/2012	A	Preliminary release.
9/24/2014	A	Changed TitleBlock to MegaChips
03/14/2020	03a	Update to Kinetic format.

#### Layout Notes:

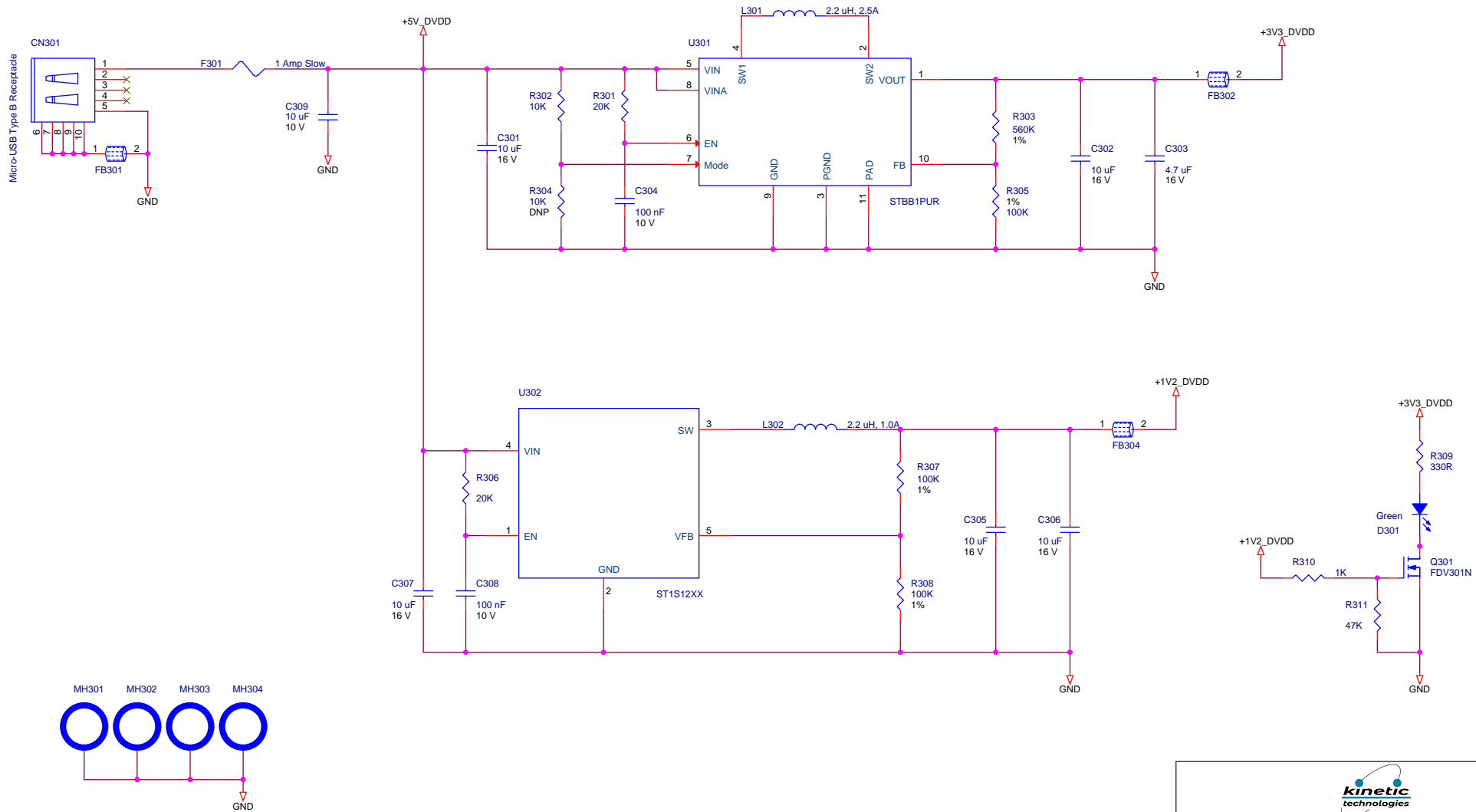
1. 50 ohms impedance on all LVTTTL traces
2. 100 ohms differential impedance on all HDMI trace pairs
3. 100 ohms differential impedance on all DP trace pairs



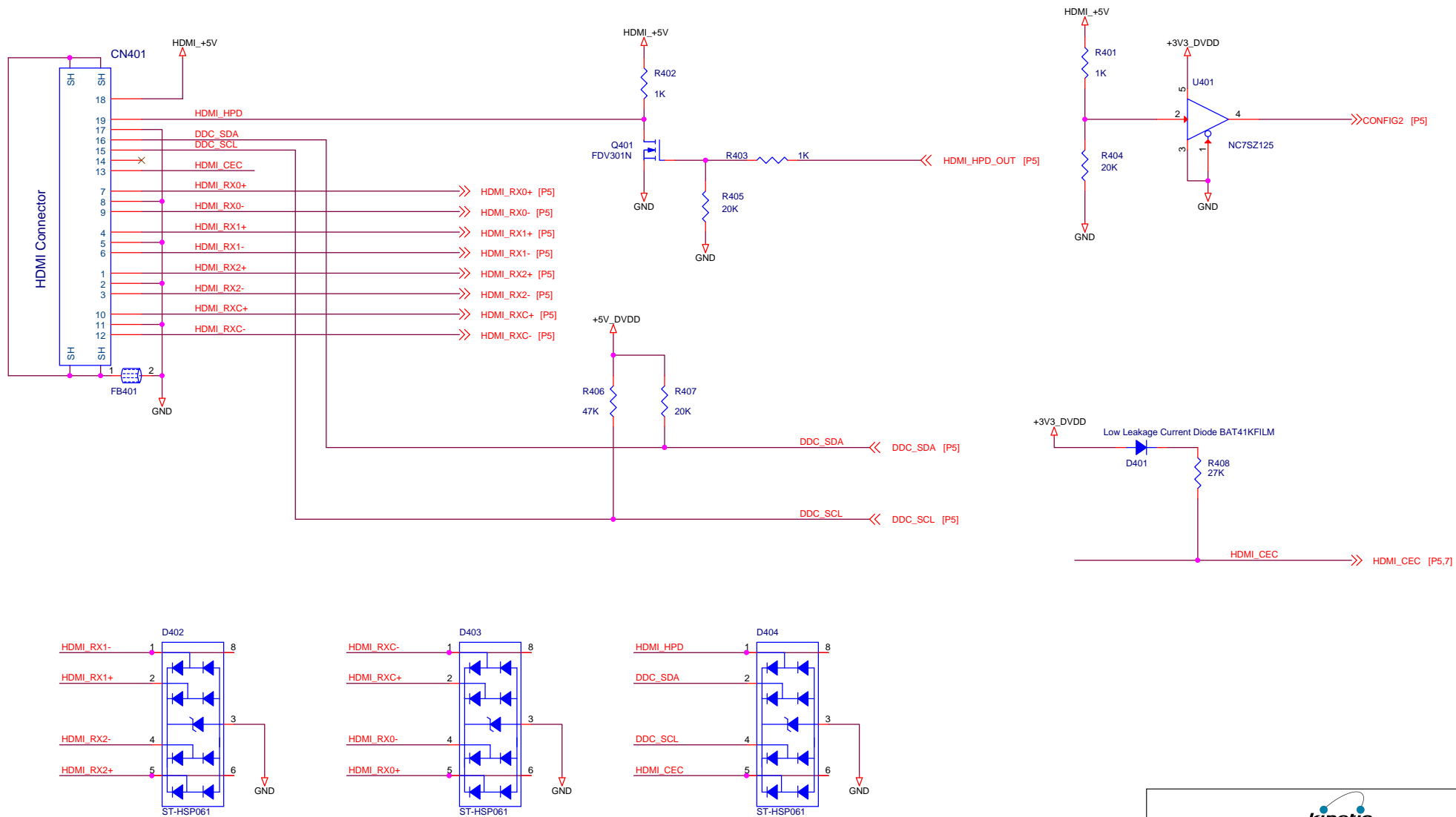
Title		
<b>01. Contents</b>		
Size B	Document Number B0643-SCH-01	Rev 03a
Date: Saturday 14, 2020	Sheet 1 of 7	1



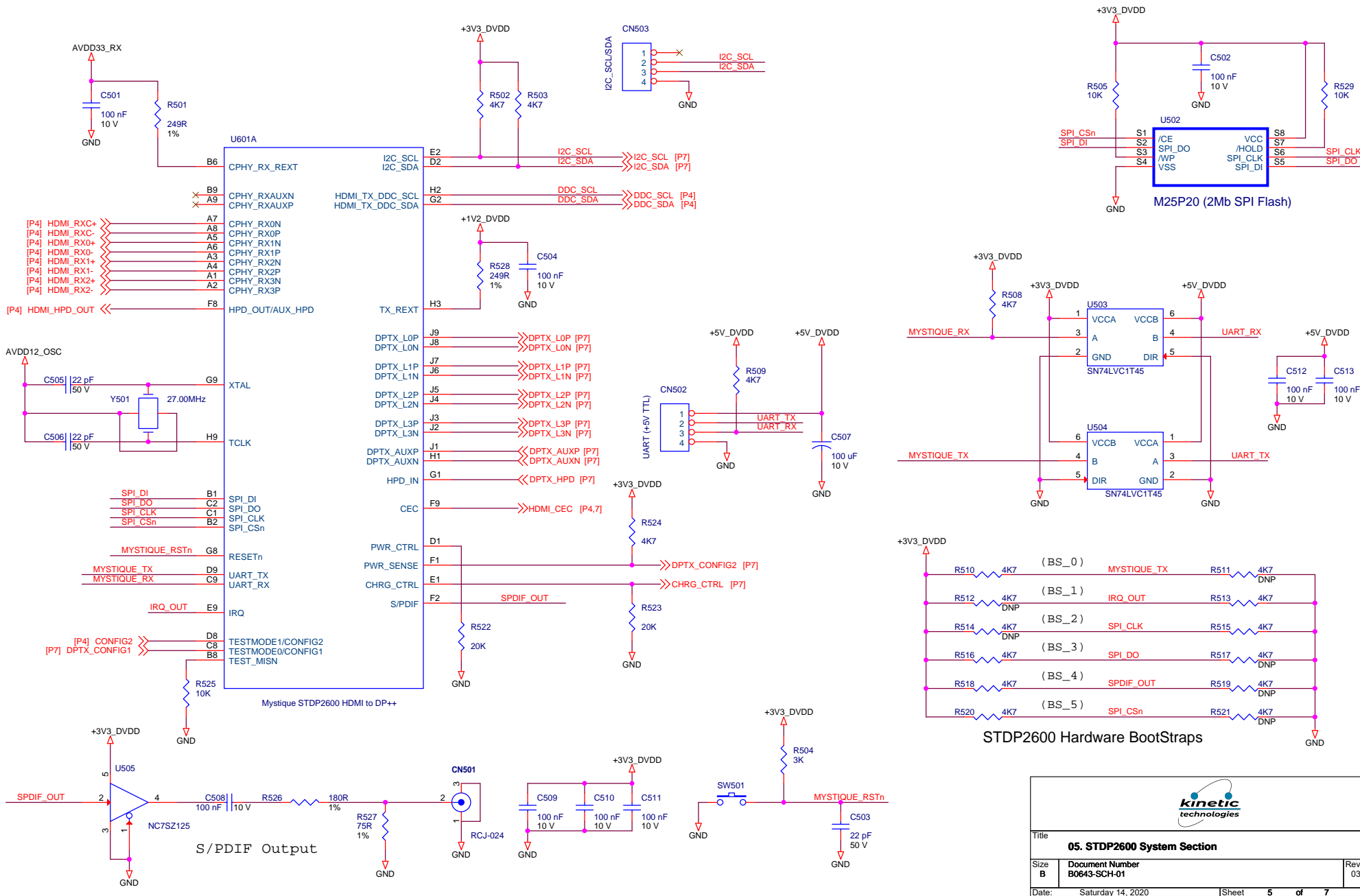
Title		
<b>02. Block Diagram</b>		
Size	Document Number	Rev
B	B0643-SCH-01	03a
Date:	Saturday 14, 2020	Sheet 2 of 7




Title		
<b>03. Regulators</b>		
Size	Document Number	Rev
B	B0643-SCH-01	03a
Date:	Saturday 14, 2020	Sheet 3 of 7

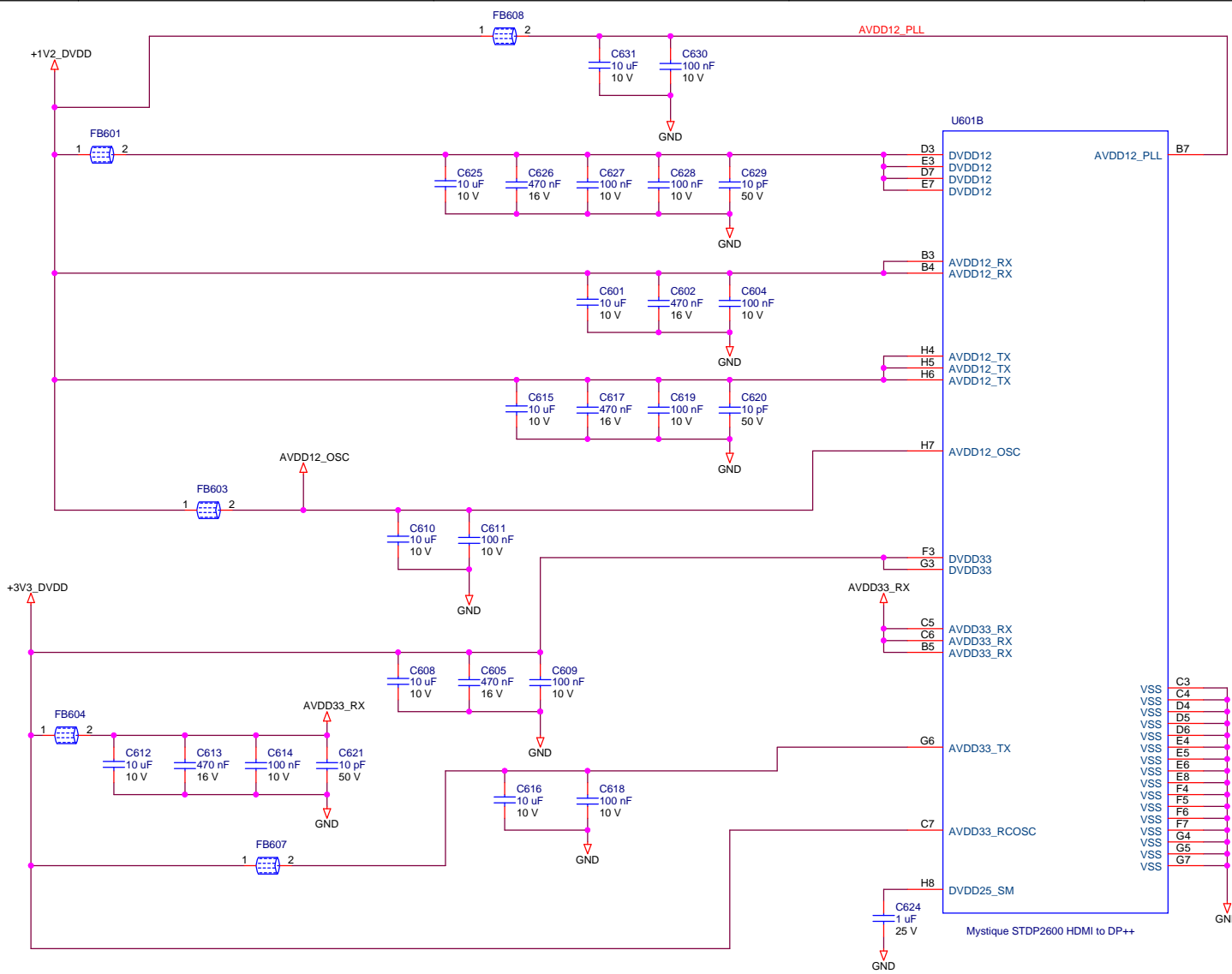


Title <b>04. HDMI Input</b>		
Size <b>B</b>	Document Number <b>B0643-SCH-01</b>	Rev <b>03a</b>
Date: <b>Saturday 14, 2020</b>	Sheet <b>4</b> of <b>7</b>	





<b>05. STDP2600 System Section</b>		
Size <b>B</b>	Document Number <b>B0643-SCH-01</b>	Rev <b>03a</b>
Date: Saturday 14, 2020		
Sheet		5 of 7

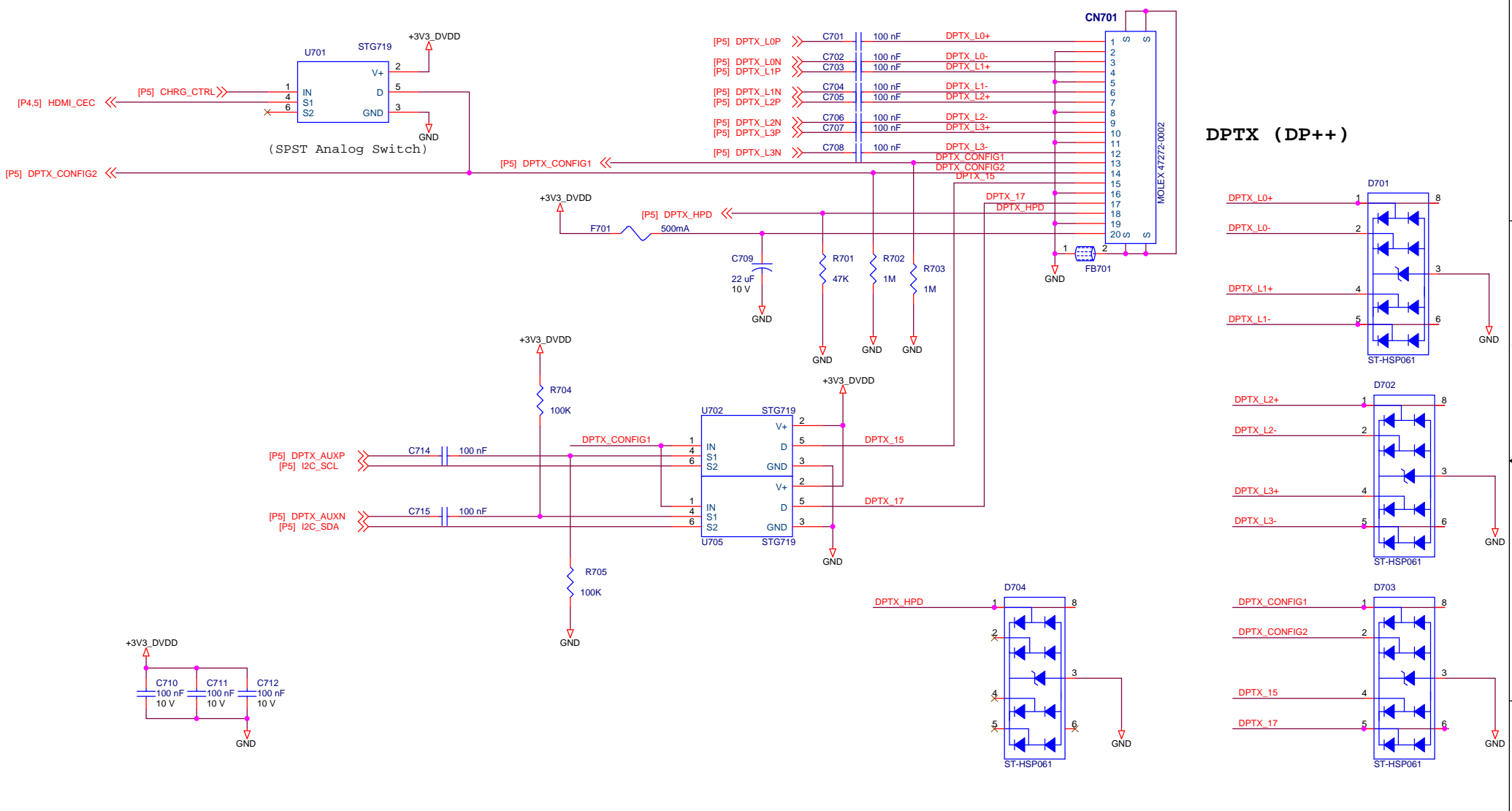


- C3 VSS
- C4 VSS
- D4 VSS
- D5 VSS
- D6 VSS
- E4 VSS
- E5 VSS
- E6 VSS
- E8 VSS
- F4 VSS
- F5 VSS
- F6 VSS
- F7 VSS
- G4 VSS
- G5 VSS
- G7 VSS

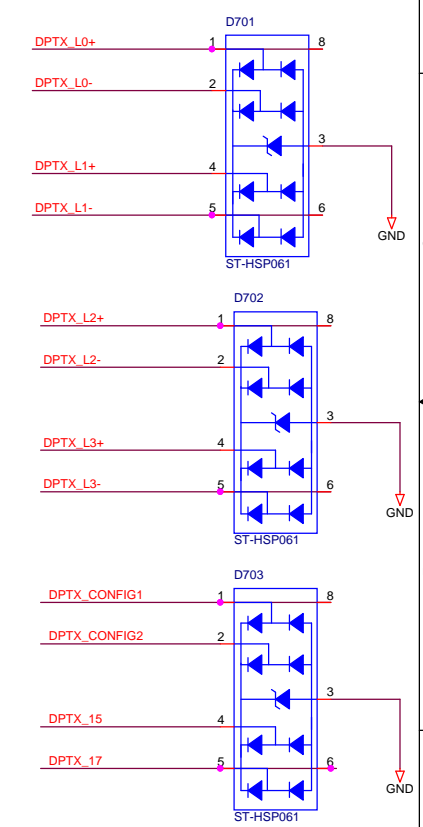
Mystique STDP2600 HDMI to DP++




Title		
<b>06. STDP2600 Power Section</b>		
Size	Document Number	Rev
B	B0643-SCH-01	03a
Date:	Saturday 14, 2020	Sheet 6 of 7



### DPTX (DP++)



		
Title <b>07. DP ++ (DPTX)</b>		
Size <b>B</b>	Document Number <b>B0643-SCH-01</b>	Rev <b>03a</b>
Date: <b>Saturday 14, 2020</b>	Sheet <b>7</b> of <b>7</b>	