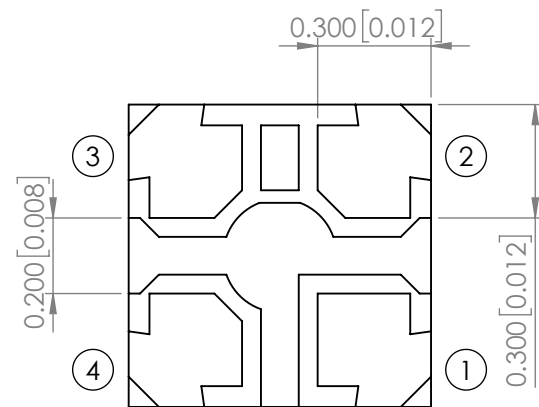
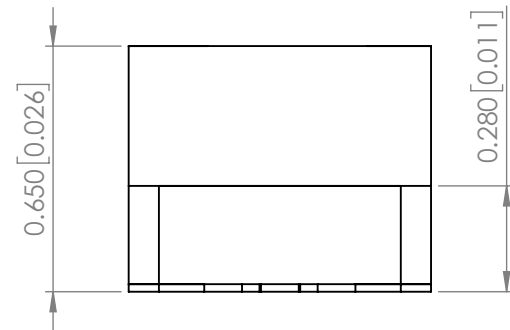
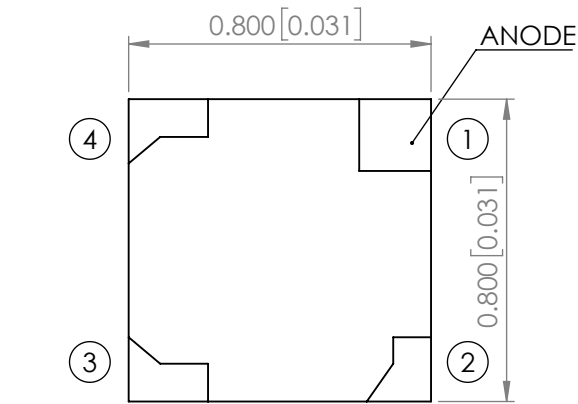
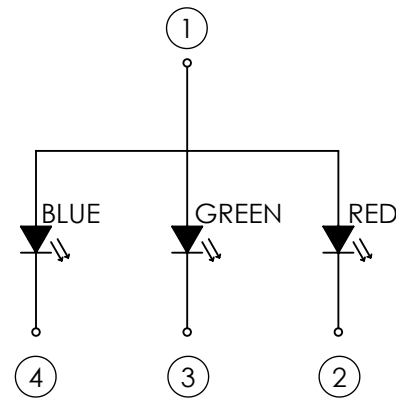


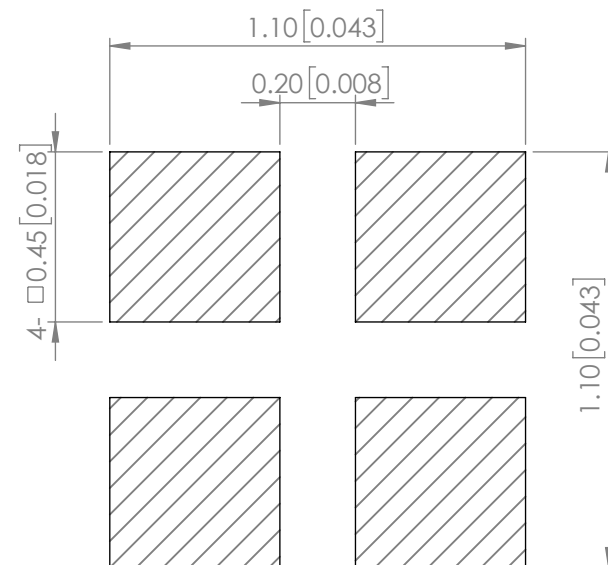
PART NUMBER	SML-LX0303RGBC/1TR	REV	A
REV	E.C.N NUMBER AND REVISION COMMENTS	DATE	
A	ECN-Lumex202100007	12.30.20	



POLARITY



RECOMMENDED SOLDER PAD LAYOUT



ELECTRO-OPTICAL CHARACTERISTIC TA=25°C

PARAMETER		MIN	TYP	MAX	UNITS	TEST COND
PEAK WAVELENGTH	R	-	625	-	nm	If=3mA
	G	-	525	-		If=5mA
	B	-	465	-		If=5mA
FORWARD VOLTAGE	R	-	2.0	2.4	Vf	If=3mA
	G	-	2.9	3.0		If=5mA
	B	-	2.9	3.0		If=5mA
REVERSE CURRENT		-	-	10	uA	VR=5V
LUMINOUS INTENSITY	R	8.5	-	20	mcd	If=3mA
	G	50	-	104		If=5mA
	B	8	-	18		If=5mA
VIEWING ANGLE		-	120	-	2x theta 1/2	-
EMITTED COLOR		R / G / B				
EPOXY LENS FINISH		CLEAR LENS (TINTED) WITH TEXTURED FINISH TOP				


ABSOLUTE MAXIMUM RATINGS TA=25°C

PARAMETER	MAX	UNITS
PEAK FORWARD CURRENT (R/G/B)*	20 / 20 / 20	mA
FORWARD CURRENT (R/G/B)	10 / 10 / 10	mA
REVERSE VOLTAGE	5	V
POWER DISSIPATION (R/G/B)	24 / 31 / 31	mW
STORAGE TEMPERATURE	-40 TO +90	°C
OPERATING TEMPERATURE	-40 TO +85	°C
SOLDERING TEMPERATURE	3 SEC. MAX @ 260	°C

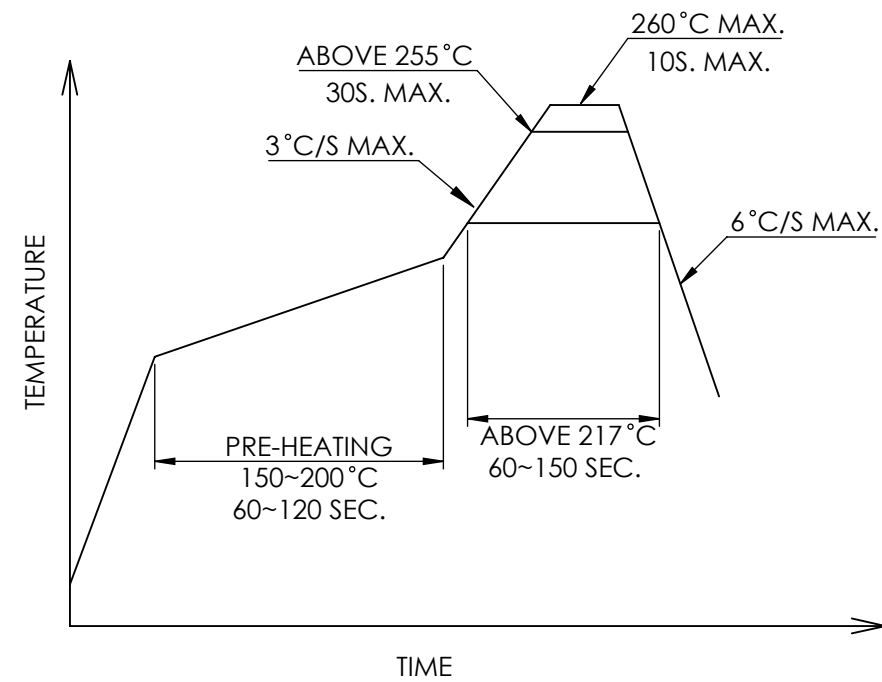
*t<10us

**MOISTURE SENSITIVE DEVICE
PER JEDEC LEVEL 3 STANDARDS**

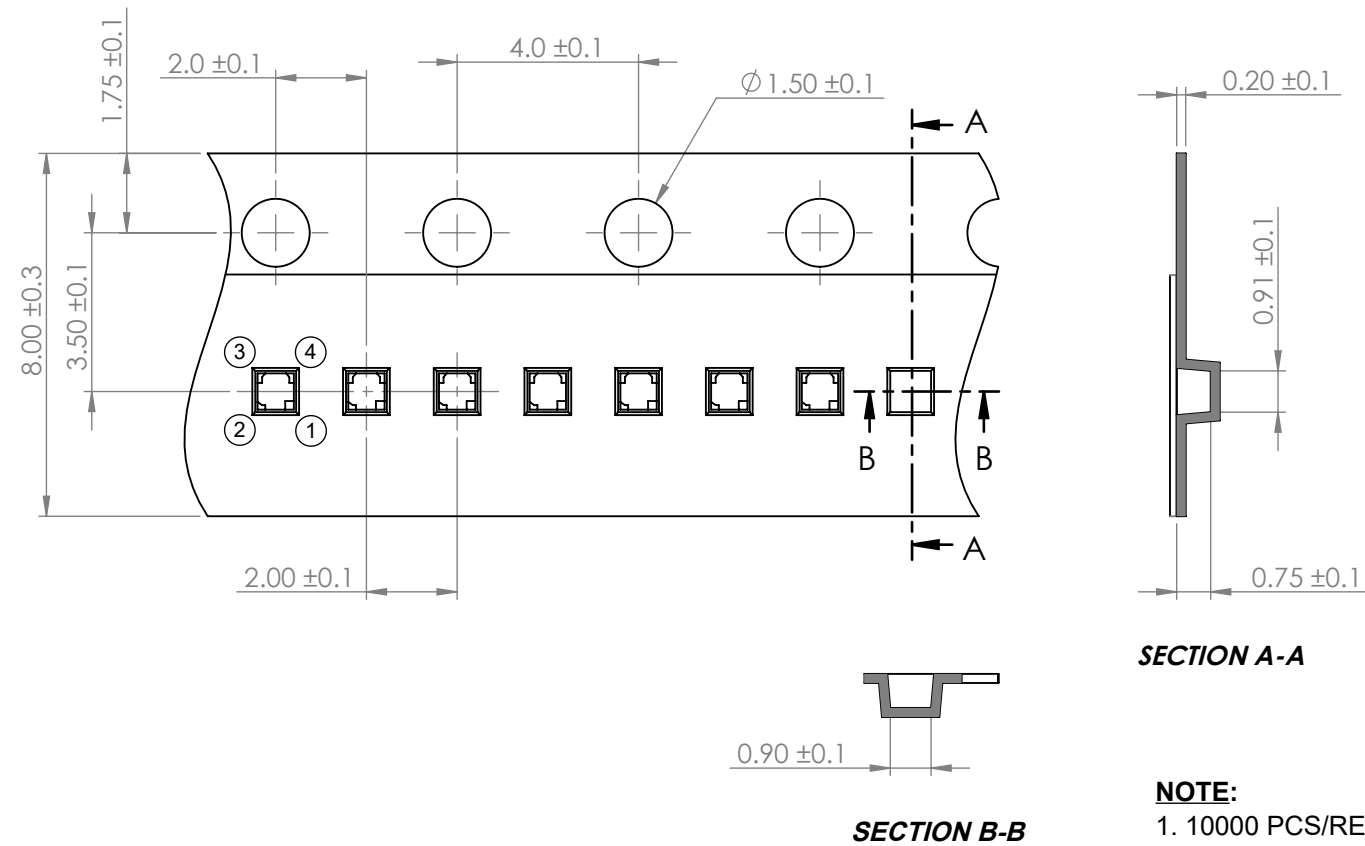
*UNLESS OTHERWISE SPECIFIED TOLERANCES PER DECIMAL PRECISION ARE: X=±1 (±0.039), X.X=±0.5 (±0.020), X.XX=±0.25 (±0.010), X.XXX=±0.127 (±0.005). LEAD SIZE=±0.05 (±0.002), LEAD LENGTH=±0.75 (±0.030). MIN= ^{+DECIMAL PRECISION}/_{-0.00} MAX= ^{+0.00}/_{-DECIMAL PRECISION}

 <p>425 N. GARY AVE. CAROL STREAM, IL 60188 PHONE : 800-278-5666 FAX : 630-315-2150 WEB : WWW.LUMEX.COM</p>	0.8(L)*0.8(W)*0.65(H)mm,SURFACE MOUNT LED,AIGaInp RED / InGaN GREEN / InGaN BLUE LED,CLEAR LENS (TINTED) WITH TEXTURED FINISH TOP,COMMON ANODE,TAPE & REEL	DATE : 2020.12.30	DRAWN BY : E.C.
	THE SPECIFICATIONS MAY CHANGE AT ANY TIME WITHOUT NOTICE.		
	CONFIDENTIAL INFORMATION		
	THE INFORMATION CONTAINED IN THIS DOCUMENT IS THE PROPERTY OF LUMEX INC. EXCEPT AS SPECIFICALLY AUTHORIZED IN WRITING BY LUMEX INC., THE HOLDER OF THIS DOCUMENT SHALL KEEP ALL INFORMATION CONTAINED HEREIN CONFIDENTIAL AND SHALL PROTECT SAME IN WHOLE OR IN PART FROM DISCLOSURE AND DISSEMINATION TO ALL THIRD PARTIES.		
		PAGE : 1 OF 2	CHKD BY : E.C.
		SCALE : NTF	APRVD BY : G.Y.
		UNIT : mm [INCH]	(Pb)

PROFILE



CARRIER TAPE DIMENSION




SECTION A-A

SECTION B-B

NOTE:
1. 10000 PCS/REEL.

*UNLESS OTHERWISE SPECIFIED TOLERANCES PER DECIMAL PRECISION ARE: X=±1 (±0.039), X.X=±0.5 (±0.020), X.XX=±0.25 (±0.010), X.XXX=±0.127 (±0.005). LEAD SIZE=±0.05 (±0.002), LEAD LENGTH=±0.75 (±0.030). MIN= ^{+DECIMAL PRECISION}/_{-0.00} MAX= ^{+0.00}/_{-DECIMAL PRECISION}

 <p>425 N. GARY AVE. CAROL STREAM, IL 60188 PHONE : 800-278-5666 FAX : 630-315-2150 WEB : WWW.LUMEX.COM</p>	0.8(L)*0.8(W)*0.65(H)mm,SURFACE MOUNT LED,AIGaInp RED / InGaN GREEN / InGaN BLUE LED,CLEAR LENS (TINTED) WITH TEXTURED FINISH TOP,COMMON ANODE,TAPE & REEL	DATE : 2020.12.30	DRAWN BY : E.C.	
	THE SPECIFICATIONS MAY CHANGE AT ANY TIME WITHOUT NOTICE.	PAGE : 2 OF 2	CHKD BY : E.C.	
	CONFIDENTIAL INFORMATION	SCALE : NTF	APRVD BY : G.Y.	
	THE INFORMATION CONTAINED IN THIS DOCUMENT IS THE PROPERTY OF LUMEX INC. EXCEPT AS SPECIFICALLY AUTHORIZED IN WRITING BY LUMEX INC., THE HOLDER OF THIS DOCUMENT SHALL KEEP ALL INFORMATION CONTAINED HEREIN CONFIDENTIAL AND SHALL PROTECT SAME IN WHOLE OR IN PART FROM DISCLOSURE AND DISSEMINATION TO ALL THIRD PARTIES.	UNIT : mm [INCH]		Pb