

NO: BC-012 **PRODUCT:** V400-R1 Multi-code Reader
DATE: May 2015 **TYPE:** Discontinuation Notice

V400-R1 Multi-code Readers was Discontinued March 2015; Replace with V400-R2 Series

Omron discontinued V400-R1 multi-code readers to offer customers a more compact, space-saving V400-R2 version with ability to decode additional matrix codes. The new model eliminates the need for a ferrite core, and now has a plastic case instead of a diecast aluminum case.



Cautions on Applying Replacement

- It is necessary to change the mounting position because the outward form size is miniaturized.
- No recommended replacement is available for side view model (V400-R1CS). Please select and use one of the front view models (V400-R2CF65 / V400-R2CF125).

Affected Parts

Product discontinuation	Recommended replacement
Model V400-R1CS	No recommended replacement
Model V400-R1CF	Model V400-R2CF65 Model V400-R2CF125

Details of Differences

Body Color

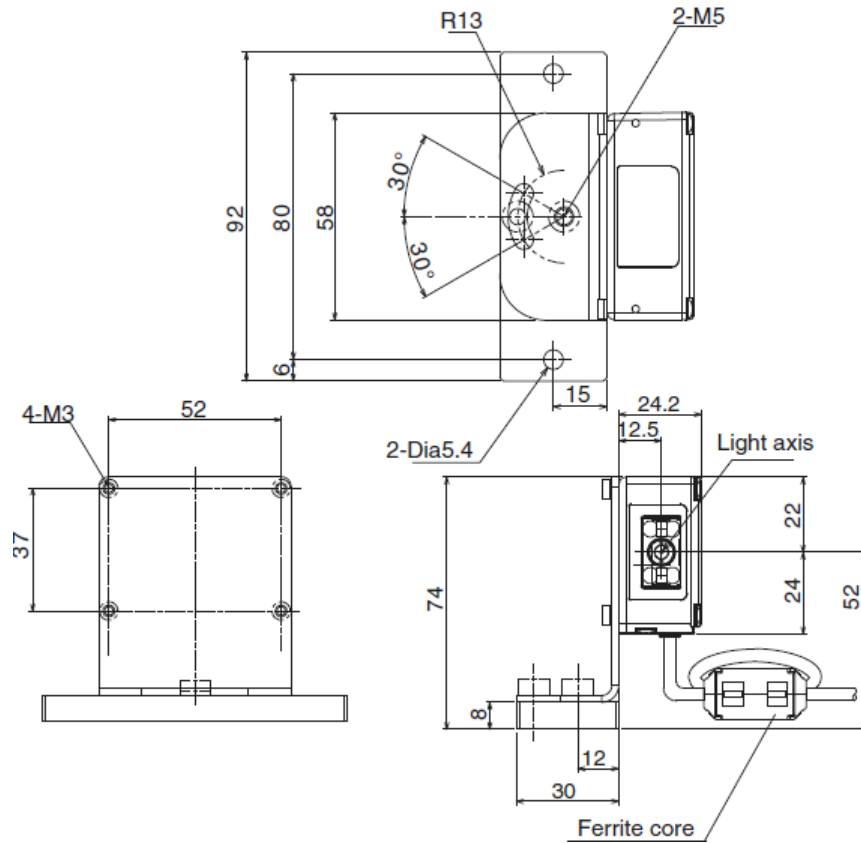
Product discontinuation Model V400-R1CS / V400-R1CF	Recommended replacement Model V400-R2CF65 / V400-R2CF125

Wire Connection

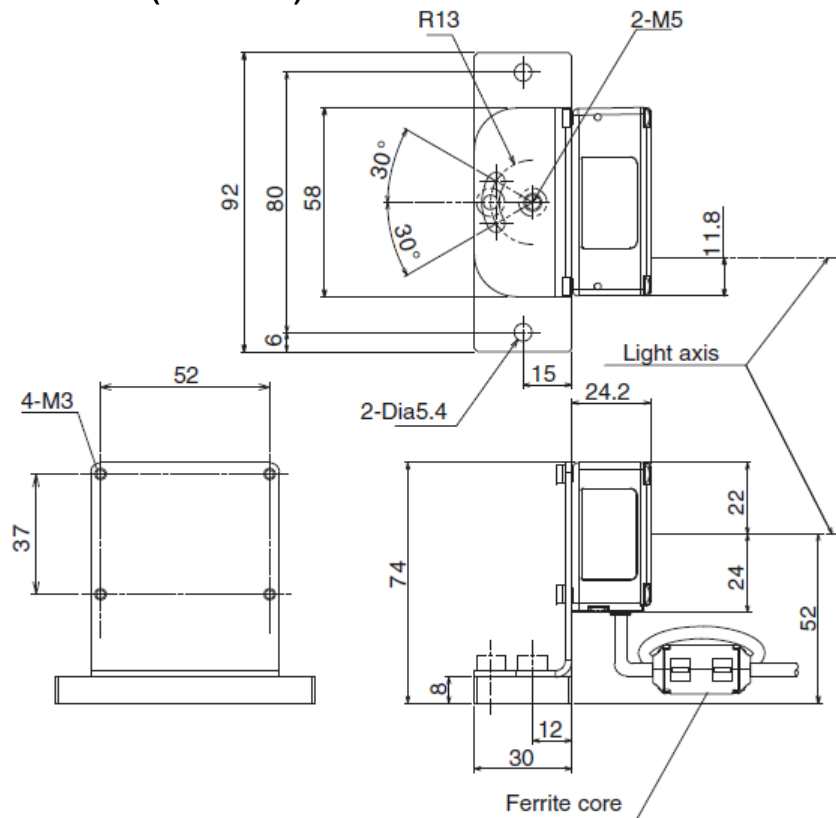
Product discontinuation Model V400-R1CS / V400-R1CF				Recommended replacement Model V400-R2CF65 / V400-R2CF125			
Color of Wire. Pin No.3 is Blue Pin No.4 is Gray				Color of Wire Pin No.3 is Gray. Pin No.4 is Blue.			
Wire color	Pin No.	Signal name	Function	Wire color	Pin No.	Signal name	Function
Green	1	SD	Transmission data	Green	1	SD	Transmission data
White	2	RD	Received data	White	2	RD	Received data
Blue	3	RS	Transmission request	Gray	3	RS	Transmission request
Gray	4	CS	Transmission allowed	Blue	4	CS	Transmission allowed
Brown	5	TRIG	External trigger signal	Brown	5	TRIG	External trigger signal
—	6	NC	Not connected	—	6	NC	Not connected
Black	7	S.GND	0V	Black	7	S.GND	0V
Red	8	VCC	Power supply	Red	8	VCC	Power supply
Yellow	—	OK	Read OK output	Yellow	—	OK	Read OK output
Orange	—	NG	Read NG output	Orange	—	NG	Read NG output

Mounting Dimensions

Model V400-R1CS (Side view)



Model V400-R1CF (Front view)

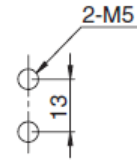
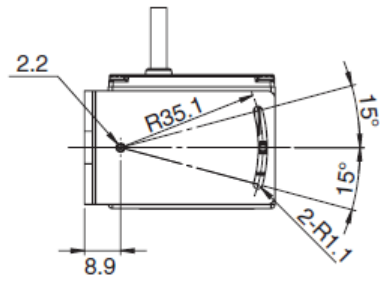
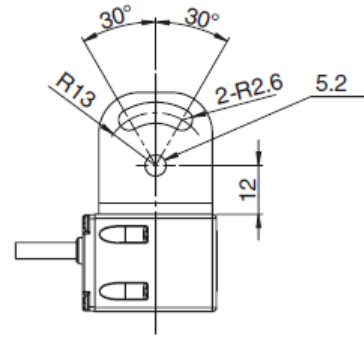
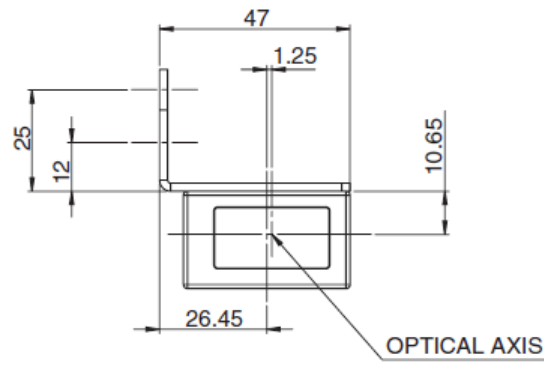


Product discontinuation.
Model V400-R1CS
Model V400-R1CF

Mounting Dimensions (continued)

Model V400-R2CF65 / V400-R2CF125

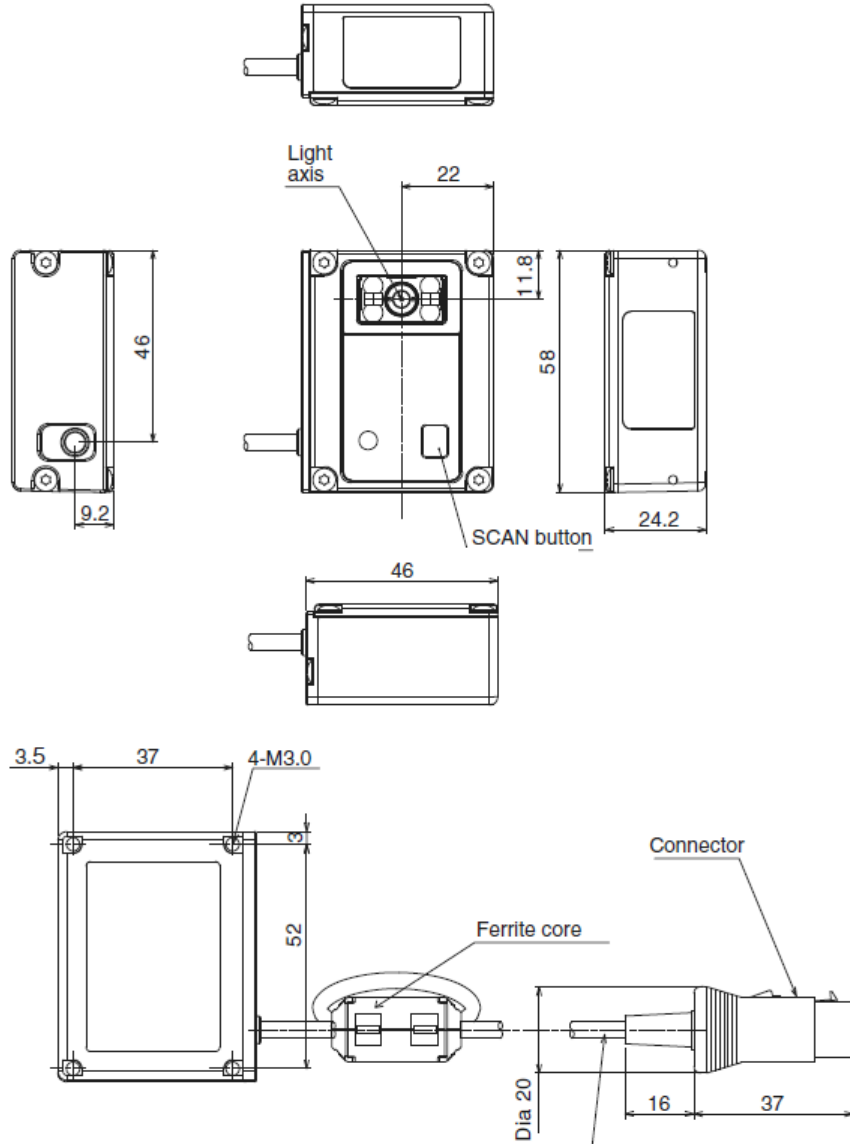
Recommended replacement
Model V400-R2CF65
Model V400-R2CF125



Mounting hole dimension

Dimensions

Model V400-R1CS (Side view model)

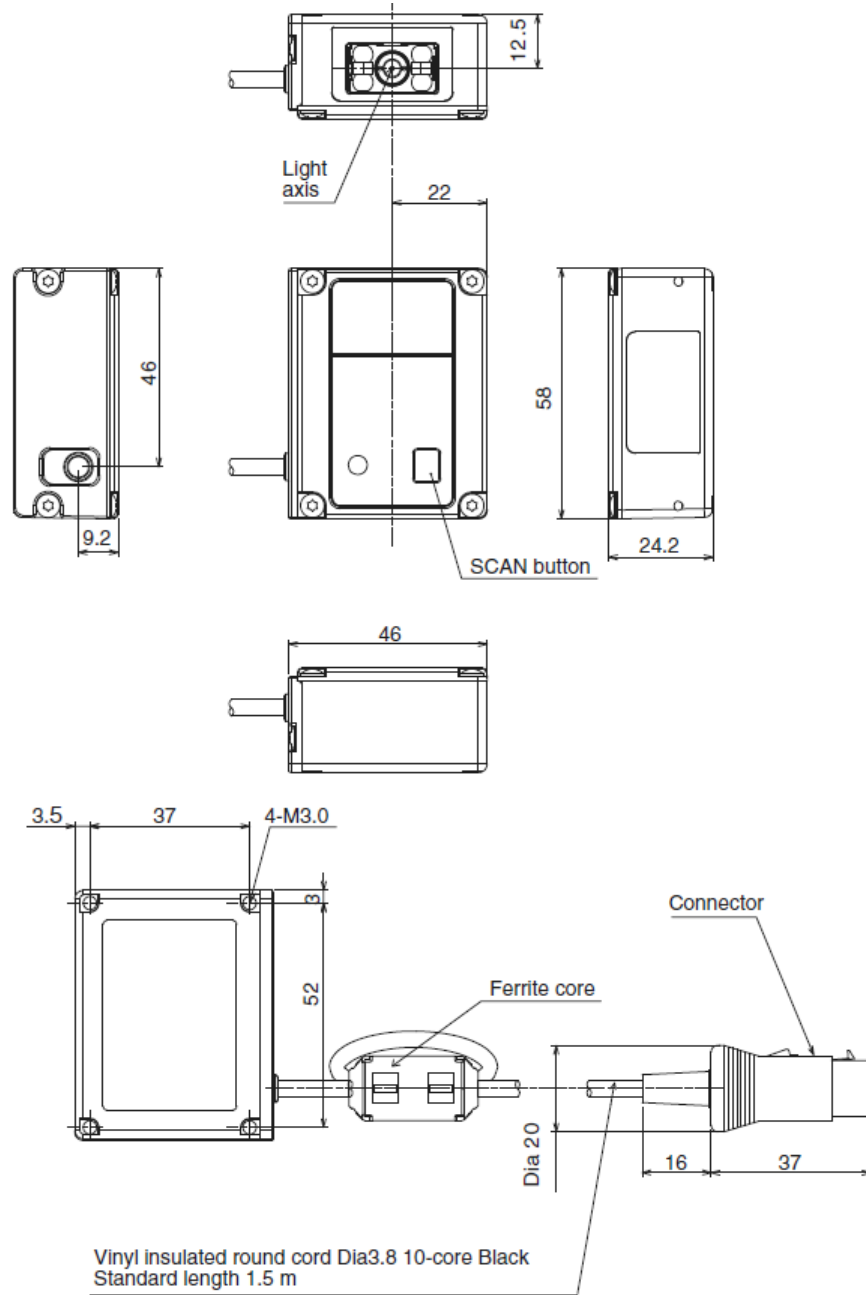


Product discontinuation.
Model V400-R1CS
Model V400-R1CF

Vinyl insulated round cord Dia3.8 10-core Black
Standard length 1.5 m

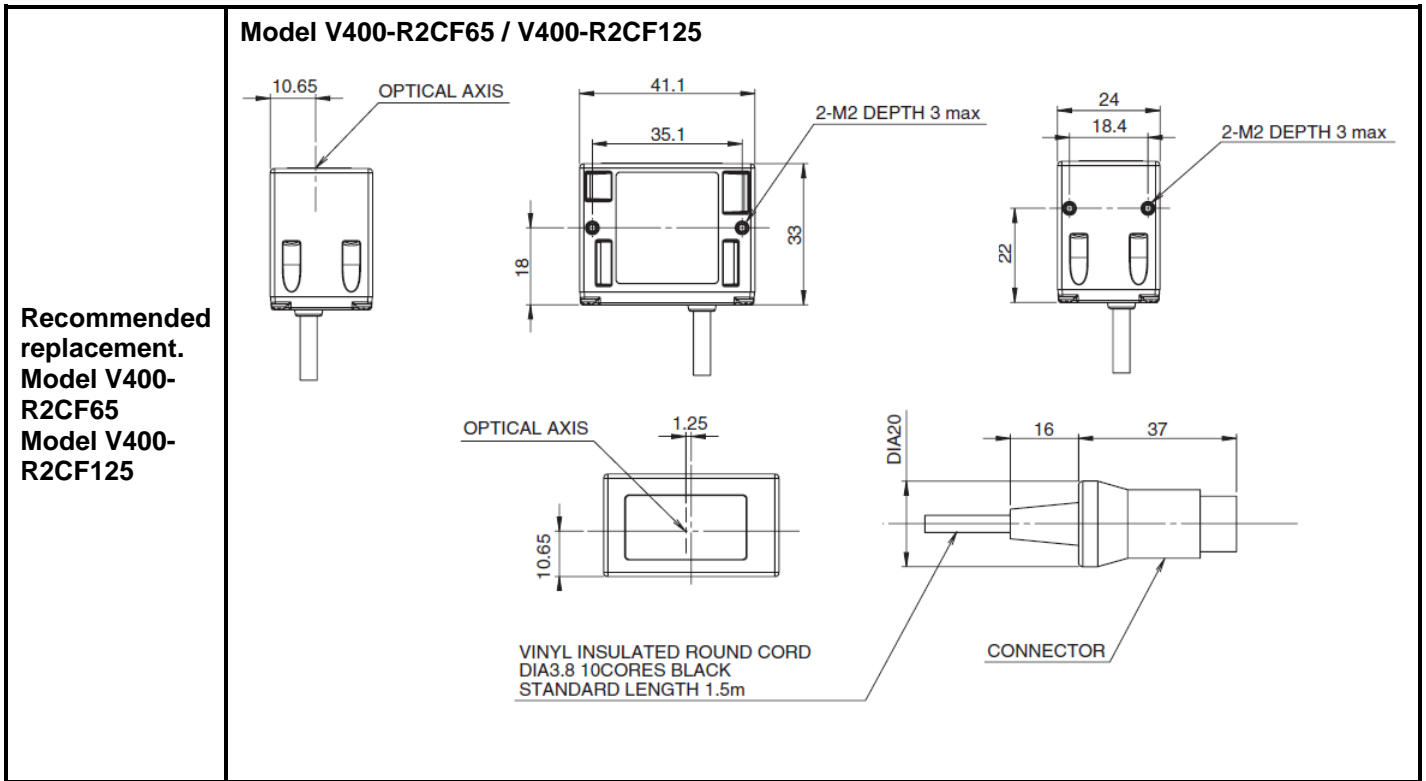
Dimensions (continued)

Model V400-R1CF (Front view model)



Product discontinuation.
Model V400-R1CS
Model V400-R1CF

Dimensions (continued)



Characteristics

Item	Product discontinuation Model V400-R1CS / V400-R1CF	Recommended replacement Model V400-R2CF65 / V400-R2CF125
View direction	Model V400-R1CS:Side view Model V400-R1CF:Front view	Model V400-R1CF65:Front view Model V400-R1CF125:Front view
Applicable codes	Bar code	JAN/EAN/UPC(A,E), NW-7, ITF, Industrial2of5, CODE39, CODE93, CODE128 (including EAN128), RSS
	2D code	WPC (JAN/EAN/UPC), Codabar (NW-7), ITF, Industrial2of5 (STF), Code39, Code93, Code128, GS1-128 (EAN-128), GS1-Databar (RSS-14), GS1-Databar Limited (RSS Limited), GS1-Databar Expanded (RSS Expanded), GS1-Databar Composite (RSS Composite)
	Number of reading digit	QR code, DataMatrix (ECC200), Micro QR code, PDF417, RSS
		QR code, DataMatrix (ECC200), Micro QR code, PDF417, MicroPDF417, AztecCode, MaxiCode, Codablock-F
	No upper limit (depend on bar width and reading distance)	

Characteristics (continued)

Item		Product discontinuation Model V400-R1CS / V400-R1CF	Recommended replacement Model V400-R2CF65 / V400-R2CF125
Reading performance	Light source	Four red LEDs (wave length: 630nm)	Two red LEDs (wave length: 617nm)
	Aiming light	Two green LEDs (wave length: 527nm)	One green LEDs (wave length: 528nm)
	Minimum resolution	Bar code: 0.1mm 2D code: 0.169mm	Model V400-R2CF65 Bar code: 0.076mm 2D code: 0.169mm Model V400-R2CF125 Bar code: 0.127mm 2D code: 0.212mm
	Image capture device	Monochrome CMOS (1280x1024 pixels)	Monochrome CMOS (752x480 pixels)
	Working distance(WD)	60mm	Model V400-R2CF65: 65mm Model V400-R2CF125: 125mm
	Field of view	52x41mm (60mm)	Model V400-R2CF65: 48x31mm (65mm) Model V400-R2CF125: 93x59mm (125mm)
	Skew angle(α)	$\pm 50^\circ$	
	Pitch angle(β)	$\pm 50^\circ$	
	Tilt angle(γ)	$\pm 180^\circ$	
	Reading of bar codes on curved surface(R)	R \geq 15mm (JAN8) R \geq 20mm (JAN13)	R \geq 20mm (UPC12 digit)
Interface	Communication specification	RS-232C	
	OK/NG outputs	NPN open collector output (Necessary to cable shaping)	
Function setting method		Menu sheet reading method or host command method	
Functional specification	Reading trigger	External trigger (Transistor input) Trigger by command (RS-232C) Trigger a test reading by pressing the SCAN button on the product	
	OK/NG signals	OK signal is turned on to indicate a successful read NG signal is turned on to indicate a successful a no-registered label	
	Indication LED	OK LED (green) illuminates to indicate a successful read NG LED (red) illuminates for failed reading with an error message output	OK LED (green) illuminates to indicate a successful read
	Buzzer	Notifies a successful reading with a buzzer sound (Muting available)	
Power supply specifications	Power voltage	DC4.5 ~ 5.5V	
	Consumption current	During operation: 500mA or less During standby: 300mA or less	During operation: 265mA or less During standby: 70mA or less

Characteristics (continued)

Item		Product discontinuation Model V400-R1CS / V400-R1CF	Recommended replacement Model V400-R2CF65 / V400-R2CF125
Environmental specifications	Ambient temperature	At operation: 0 ~ +45°C At storage: -20 ~ +60°C	At operation: 0 ~ +45°C At storage: -10 ~ +60°C
	Ambient atmosphere	At operation and storage: 20 to 85%RH (with no icing or condensation)	
	Ambient humidity	No corrosive gas	
Environmental specifications	Ambient light resistance	10,000 lx (fluorescent lamp), 100,000 lx (sunlight)	
	Vibration Resistance (destructive)	12 to 100 Hz, 19.6m/s ² (2G), 1 hour each in three directions	10 to 150 Hz, single amplitude:0.35mm, X/Y/Z directions 8 minutes each, 10 times
Degree of protection		IP54 (IEC60529 standard)	IP65 (IEC60529 standard)
Weight		Approximately 270g (including Cable, Ferrite core, Mounting bracket, Insulation board and screw)	Approximately 200g (including Cable, Mounting bracket and screw)
Main body dimension		Approximately 58x46x24.2mm	Approximately 41.1x33x24mm
Code length		Approximately 1.5m	
Input connector		Round DIN connector	
Accessories		Operation manual, Menu sheet, Ferrite core, Mounting bracket, M3x8screws (four),M5x10screws (two)	Operation manual, Menu sheet, Mounting bracket, M2x6screws (two), M5x10screws (two)
Material	Case	Aluminum die-cast (ADC12)	PC, PET
	Reading window	PMMA	PMMA
	Cable	PVC	PVC

Specifications and prices in this product news are as of the issue date and are subject to change without notice. Only main changes in specifications are described in this document. Please be sure to read the relevant catalogs, datasheets, product specifications, instructions, and manuals for precautions and necessary information when using products.