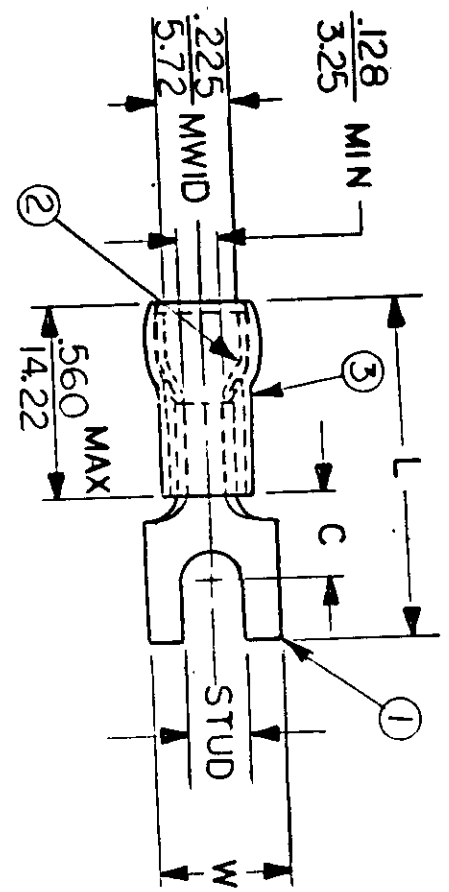


**NOTES:**

- ① MAT'L: COPPER (STOCK TKN.  $\frac{.040}{.02}$  )  
PLATING: ELECTRO TIN (.0003 MIN)
  - ② TIN-PLATED BRASS FUNNEL FERRULE
  - ③ NYLON INSULATION (COLOR CODED YELLOW )
- STUD SIZES: (.005)
- 02 = .094  
 04 = .119  
 06 = .146  
 08 = .173  
 10 = .198  
 14 = .265  
 56 = .328  
 38 = .390

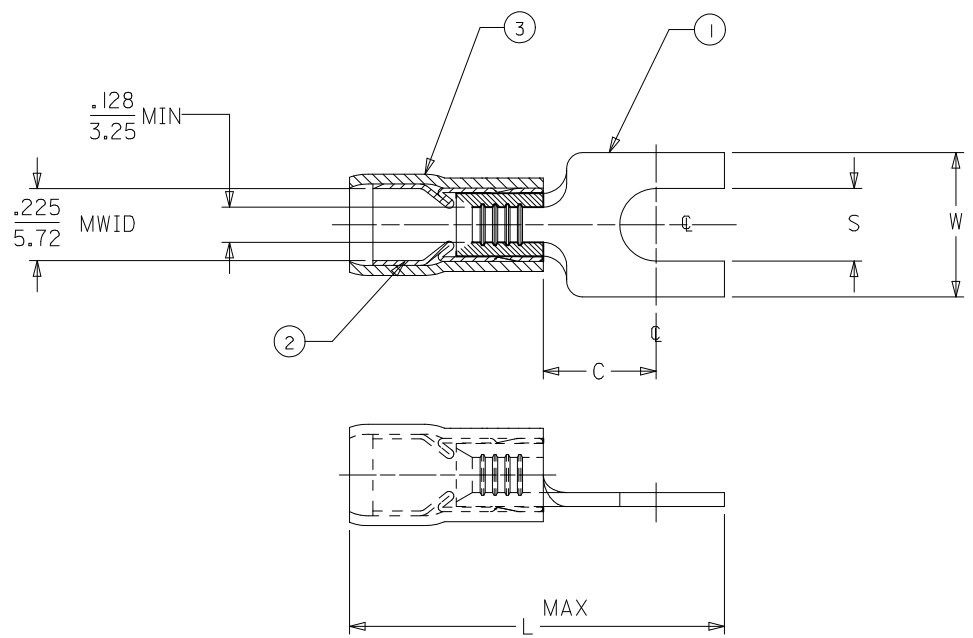
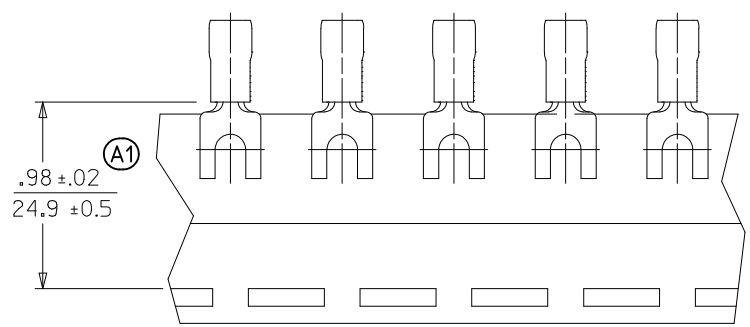
ALL DIMENSIONS =  $\frac{\text{INCHES}}{\text{MM}}$  (MWID) = DENOTES MAXIMUM WIRE INSULATION DIAMETER



PART NUMBER	"W" ±.010	"C" MIN.	"L" MAX.	REFERENCE			TITLE:							
				SCALE:	NTS	DATE	SPADED TONGUE TERMINAL AVIKRIMP 800-SERIES							
C-8102-	$\frac{.415}{10.41}$	$\frac{.305}{7.75}$	$\frac{1.090}{27.69}$	DRWN. BY: JJ	11.12.84	<table border="1"> <tr> <td>FRAC.</td> <td>DEC.</td> <td>ANG.</td> </tr> <tr> <td>±</td> <td>±</td> <td>±</td> </tr> </table>			FRAC.	DEC.	ANG.	±	±	±
FRAC.	DEC.	ANG.												
±	±	±												
C-8105-	$\frac{.320}{8.13}$	$\frac{.305}{7.75}$	$\frac{1.090}{27.69}$	CHKD. BY: GZ	11.26.84									
				APPRD. BY:		<table border="1"> <tr> <td>DWG. NO.</td> <td>A</td> <td>CUSTOMER DWG</td> </tr> </table>			DWG. NO.	A	CUSTOMER DWG			
DWG. NO.	A	CUSTOMER DWG												



MATERIAL NUMBER	ALTERNATE NUMBER	"L" MAX	STUD SIZE	"S"	(A1) "W" ±.010/0.25	"C" MIN	PACKAGING
191980039	C-8105-06	1.090 (27.69)	6	.146 (3.71)	.320 (8.13)	.305 (7.75)	LOOSE PIECE
191390060	C-8105-08	1.090 (27.69)	8	.173 (4.39)	.320 (8.13)	.305 (7.75)	
191390061	C-8105-10	1.090 (27.69)	10	.198 (5.03)	.320 (8.13)	.305 (7.75)	
191980037	C-8102-06	1.090 (27.69)	6	.146 (3.71)	.415 (10.41)	.305 (7.75)	
191390057	C-8102-08	1.090 (27.69)	8	.173 (4.39)	.415 (10.41)	.305 (7.75)	
191980038	C-8102-10	1.090 (27.69)	10	.198 (5.03)	.415 (10.41)	.305 (7.75)	TAPE MOUNTED
191980040	C-8105-06T	1.090 (27.69)	6	.146 (3.71)	.320 (8.13)	.305 (7.75)	
191980042	C-8105-08T	1.090 (27.69)	8	.173 (4.39)	.320 (8.13)	.305 (7.75)	
191980043	C-8105-10T	1.090 (27.69)	10	.198 (5.03)	.320 (8.13)	.305 (7.75)	
191390058	C-8102-08T	1.090 (27.69)	8	.173 (4.39)	.415 (10.41)	.305 (7.75)	



CUSTOMER DRAWING

- NOTES:  
 1. MATERIAL: COPPER .040 THICK.  
 PLATING: MATTE TIN  
 2. FERRULE: TIN-PLATED BRASS  
 3. INSULATION: YELLOW NYLON.  
 4. MWID=MAXIMUM WIRE INSULATION DIA.  
 5. PARTS ARE ROHS COMPLIANT.

(A1)

<b>CORRECT TOLERANCES</b> EC NO: IPG2012-0575 DRW: NETHRODAHL 2012/04/16 CHKD: JMACNEIL 2012/04/16 APPR: JMACNEIL 2012/04/19 DESCRIPTION	QUALITY SYMBOLS ▽=0 ▽7=0	GENERAL TOLERANCES (UNLESS SPECIFIED) mm      INCH 4 PLACES ± --- ± --- 3 PLACES ± --- ± .005 2 PLACES ± 0.13 ± .01 1 PLACE ± 0.25 ± --- 0 PLACE ±      ±	DIMENSION STYLE IN/MM DRAWN BY DATE EDB 2000/11/17 CHECKED BY DATE HEB 2000/11/17 APPROVED BY DATE	SCALE --- DESIGN UNITS INCH THIRD ANGLE PROJECTION	TITLE BLOCK SPADE TERMINAL AVIKRIMP -800 12-10 AWG <b>molex</b>	MATERIAL NO. SEE CHART	DOCUMENT NO. SD-19139-002	SHEET NO. 1 OF 1		
	ANGULAR ± --- ° DRAFT WHERE APPLICABLE MUST REMAIN WITHIN DIMENSIONS		THIS DRAWING CONTAINS INFORMATION THAT IS PROPRIETARY TO MOLEX INCORPORATED AND SHOULD NOT BE USED WITHOUT WRITTEN PERMISSION							
	A1									