

ASSEMBLY MATERIAL NUMBER

DESCRIPTION

45841-5000

POWER RECEPTACLE MODULE - 150 AMP

NOTES:

1. MATERIALS:

- HOUSING: 30% GLASS FILLED, LCP 94V-0, BLACK.
- TERMINALS: COPPER ALLOY.
- PLATING: PER ES-88-228
- 30 μINCH MIN. SELECT HARD GOLD IN CONTACT AREA ONLY,
- 100 μINCH MIN. SELECT TIN IN TAIL AREA OVER
- 50 μINCH MIN. NICKEL OVERALL.

2. LUBRICATION: EB1 IN CONTACT AREA.

3. REFERENCE DOCUMENT: PS-75431-999.

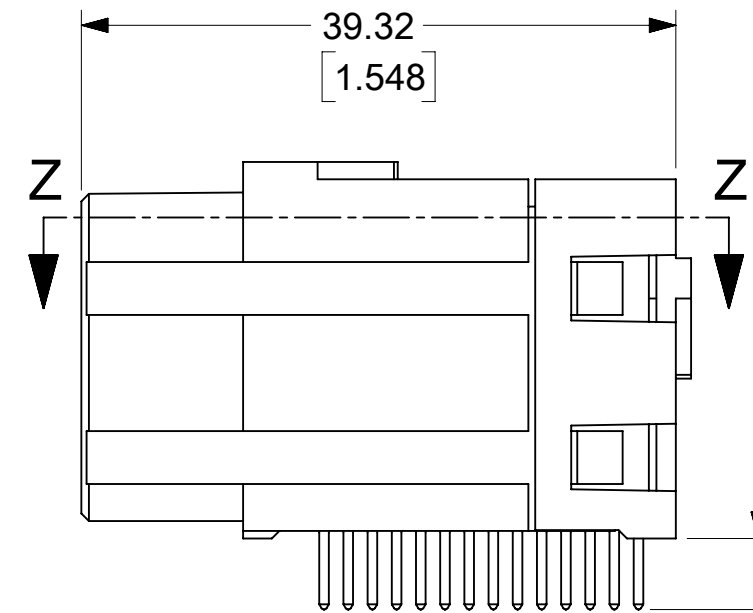
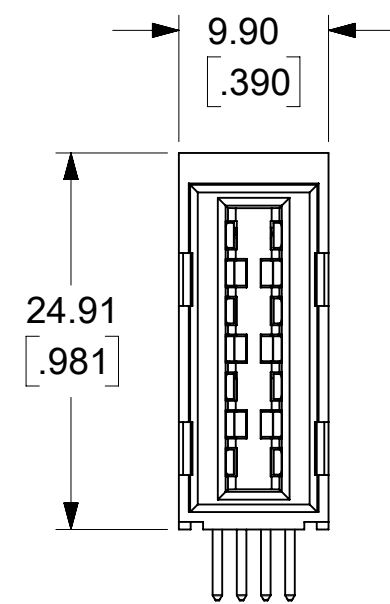
4. RECEPTACLE MATES WITH PLUG ASSEMBLIES: 75556-5000 & 75556-5100.

5. MODULE ASSEMBLY IS RoHS COMPLIANT.

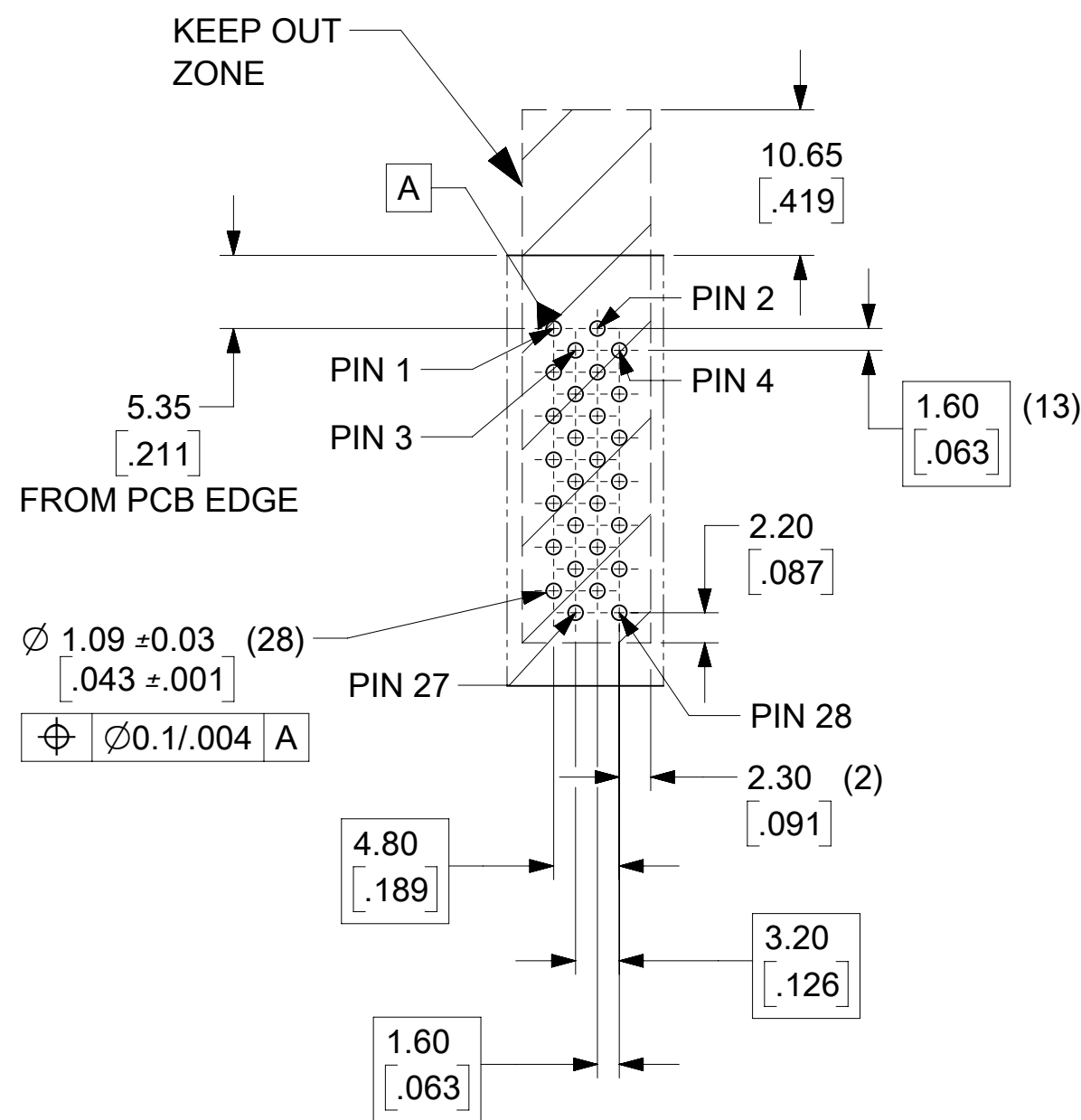
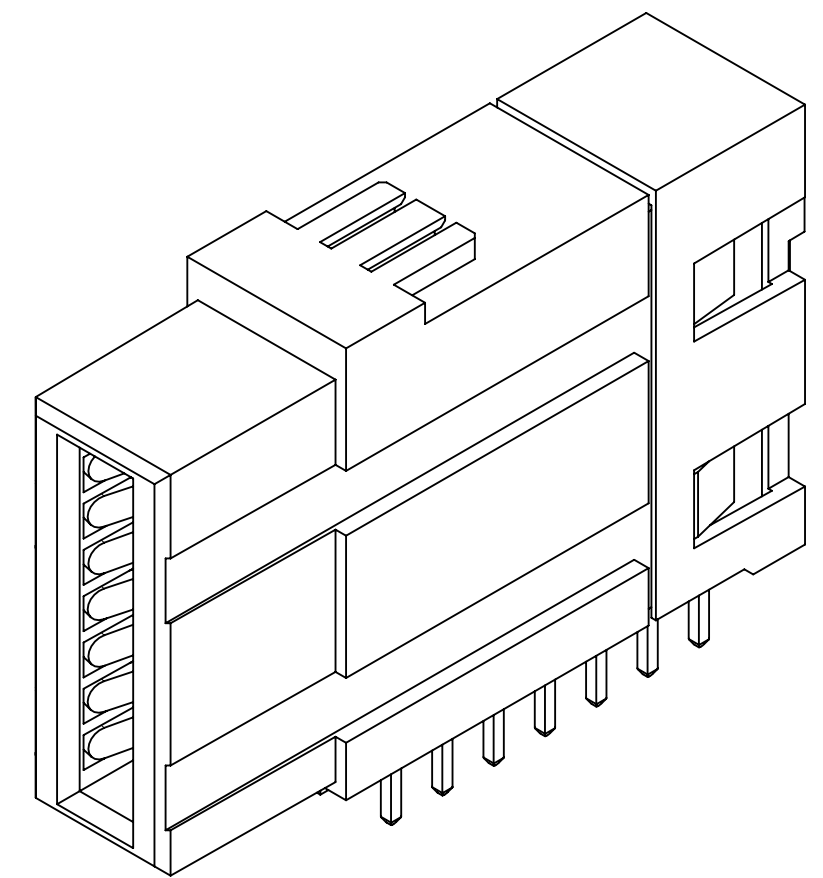
6. MODULE TO BE UL & CSA LISTED PER UL-1977.

7. RECOMMENDED PCB THICKNESS 2.36 / .093.

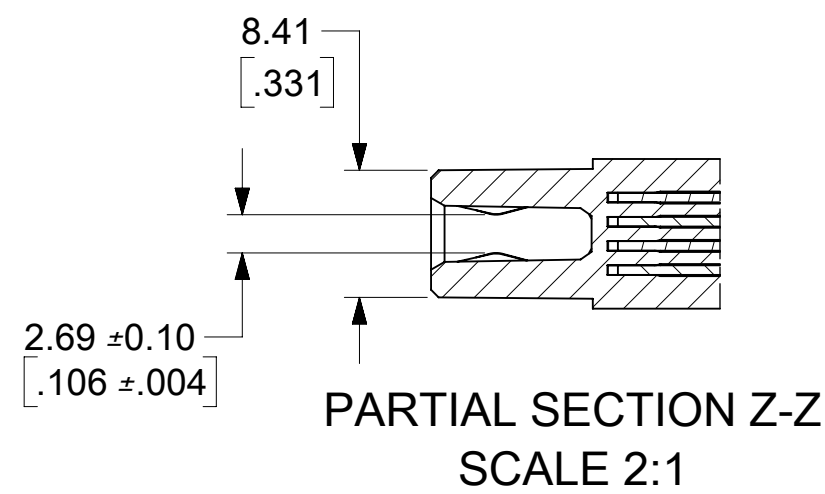
8. FINAL ASSEMBLY TO BE PACKAGED AND LABELED PER PACKAGING KIT DRAWING NUMBER PK-45841-500



PCB TAIL HEIGHT  
4.70  
[.185]



REQUIRED PCB LAYOUT  
SCALE 2:1



PARTIAL SECTION Z-Z  
SCALE 2:1

THIS DRAWING CONTAINS INFORMATION THAT IS PROPRIETARY TO MOLEX ELECTRONIC TECHNOLOGIES, LLC AND SHOULD NOT BE USED WITHOUT WRITTEN PERMISSION

DIMENSION UNITS		SCALE		CURRENT REV DESC: REMASTERED IN ECTR											
MM/INCH		2:1													
GENERAL TOLERANCES (UNLESS SPECIFIED)				EC NO: 648857				POWER RECEPTACLE MODULE 150A COPLANER RECEPTACLE SYSTEM EXTREME POWERMASS							
				DRWN: KSUTAR 2020/10/23											
4 PLACES ±				CHK'D: SCS02 2020/11/10				PRODUCT CUSTOMER DRAWING							
3 PLACES ±				APPR: HTHYAGARAJ 2020/11/23											
2 PLACES ± 0.25 ± 0.01				INITIAL REVISION:				DOCUMENT NUMBER <b>SD-45841-100</b>							
1 PLACE ± 0.25 ±				DRWN: BKOSTIC 2006/09/25											
0 PLACES ±				APPR: APATEL 2006/09/27				DOC TYPE DOC PART REVISION <b>PSD 001 A3</b>							
ANGULAR TOL ± 0.5 °				THIRD ANGLE PROJECTION		DRAWING		SERIES		MATERIAL NUMBER		CUSTOMER		SHEET NUMBER	
DRAFT WHERE APPLICABLE MUST REMAIN WITHIN DIMENSIONS						C-SIZE		45841		SEE CHART		GENERAL MARKET		1 OF 1	