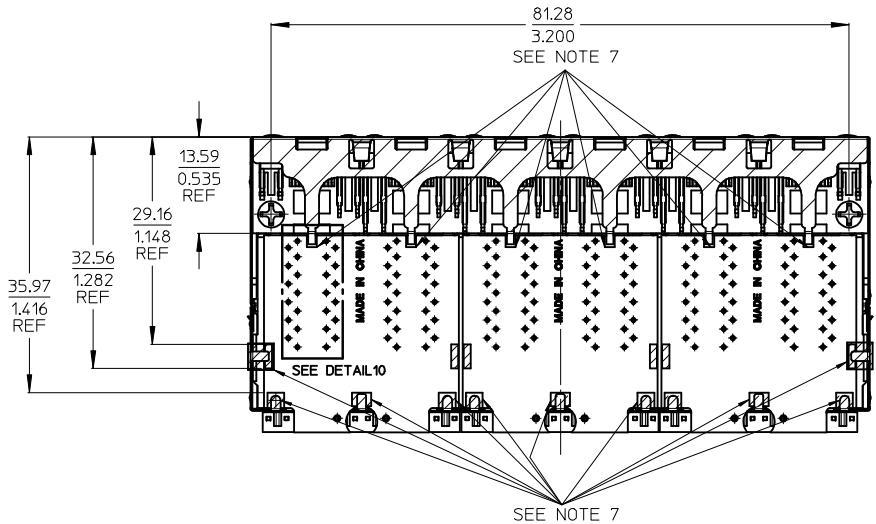
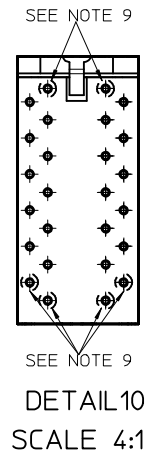
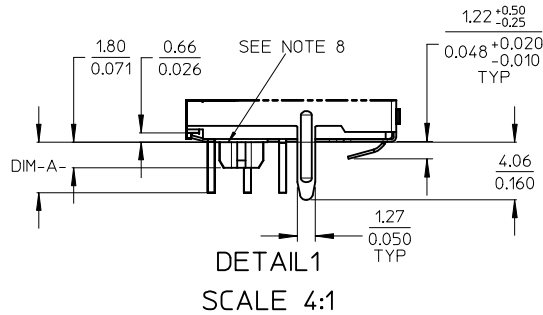
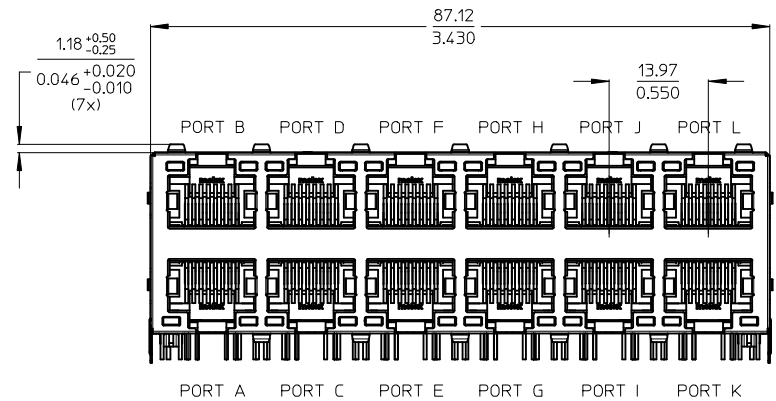
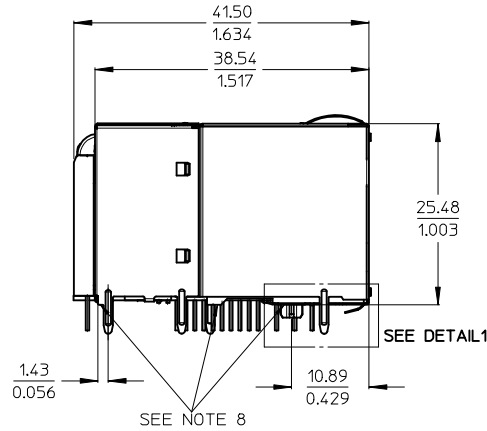


**GIGABIT 12 PORT MAGNETIC JACK WITH LED'S**

PART NUMBER	UPPER & LOWER LED LEFT	UPPER & LOWER LED RIGHT	DIM-A-
85734-1013	COLOUR 1 YELLOW	COLOUR 1 YELLOW	2,67 MM 0,11 INCH
	COLOUR 2 GREEN	COLOUR 2 GREEN	

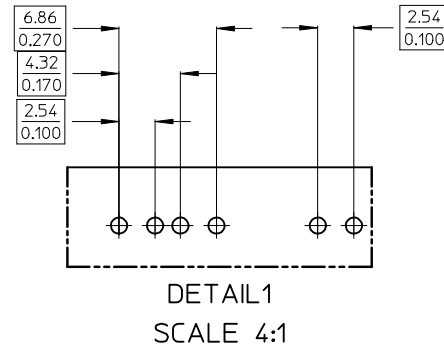
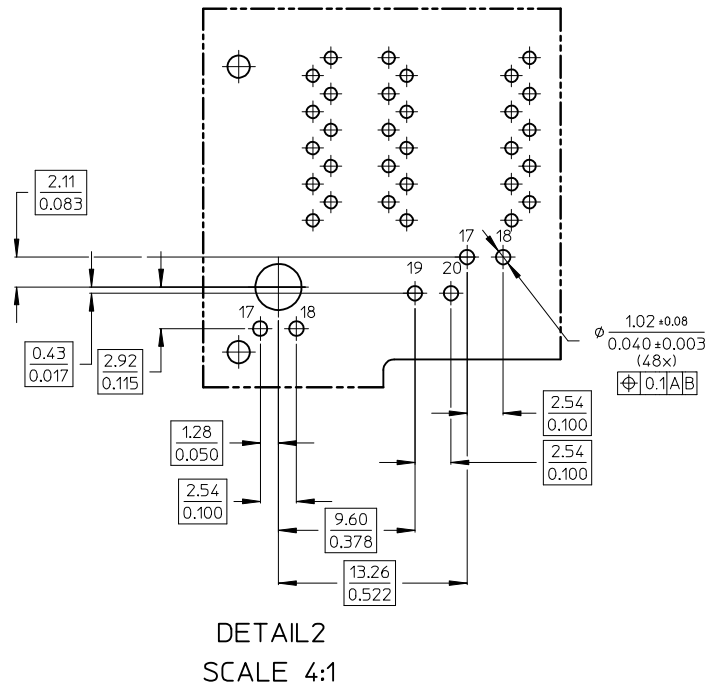
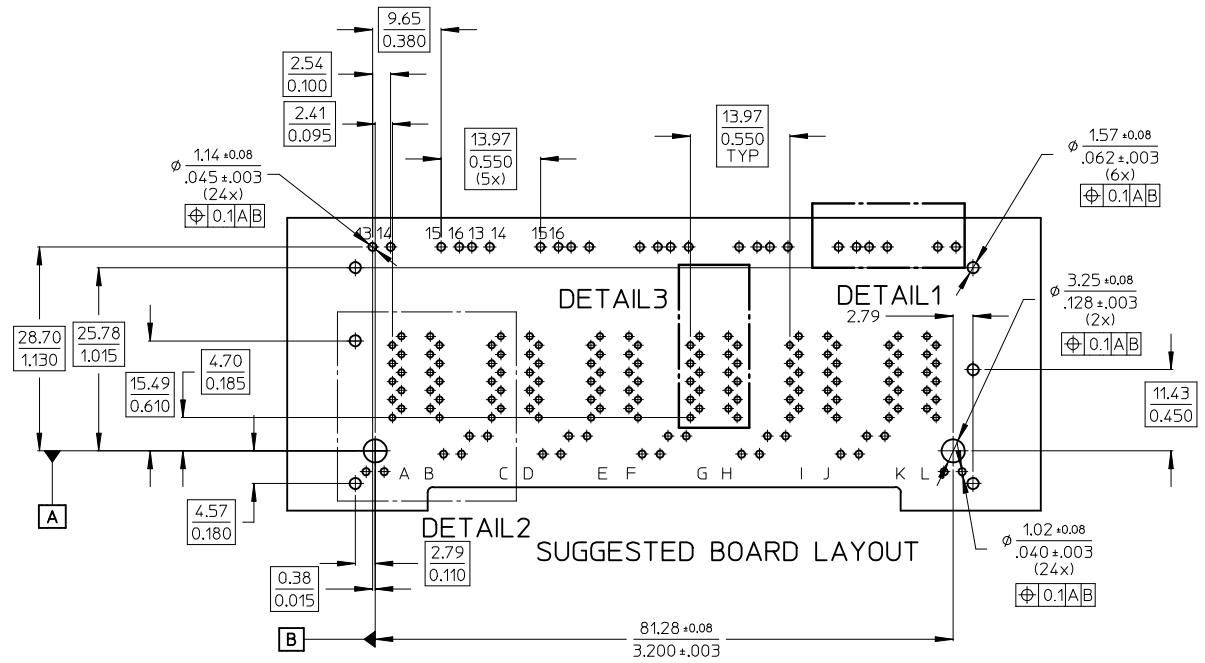
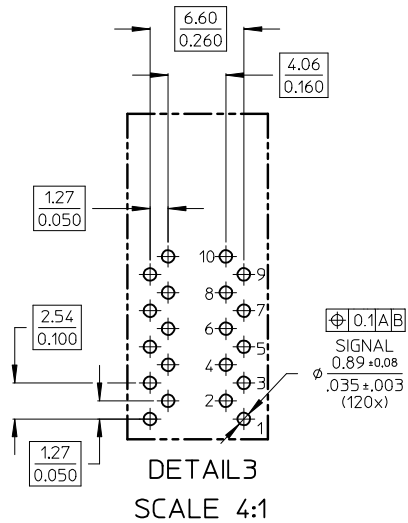
ADDITIONAL LED COLOURS AND CONFIGURATIONS AVAILABLE ON REQUEST



**NOTES:**

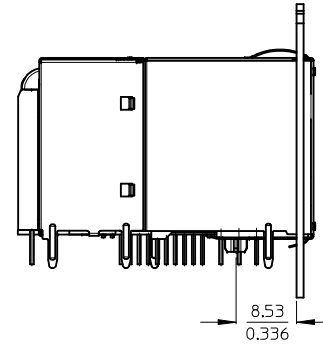
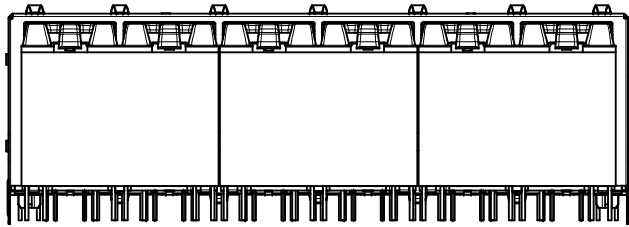
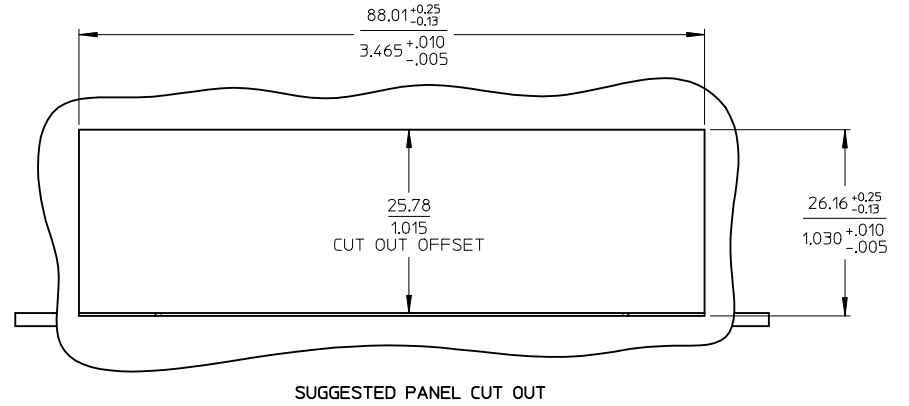
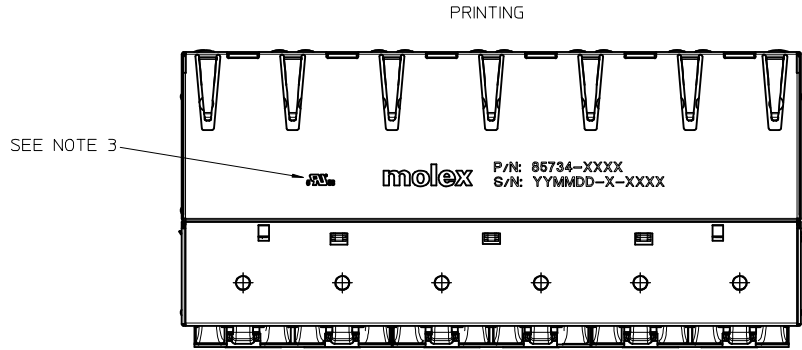
- 1 - SHIELD MATERIAL: BRASS; PLATING: Ni PRE-PLATING
- 2 - PLASTIC MATERIAL: POLYESTER (PBT) BLACK, 30%GR, UL 94V-0
- 3 - TERMINALS MATERIAL: COPPER ALLOY  
-BASE FINISH: NICKEL  
-CONTACT SURFACE FINISH GOLD OR GOLD FLASH OVER PALLADIUM NICKEL  
EXCEEDS PRODUCT REQUIREMENTS BASED ON PS-85731-001
- 4 - MATING INTERFACE ACCORDING TO IEC 60603-7
- 5 - PRODUCT SPECIFICATION: PS-85734-001
- 6 - PACKAGING SPECIFICATION: PK-85731-001
- 7 - TRACES WITHOUT INSULATION NOT ALLOWED IN THE DASHED AREAS.  
(TO AVOID SHORTS TO SHIELD)
- 8 - STAND OFF TO SYSTEM BOARD
- 9 - STUBBED PINS -> AVOID TO ROUTE TRACES OR TO PLACE ANY VIAS OR PADS BELOW THESE PINS
- 10 - FOR MAGNETIC AND LED INFORMATION SEE SPEC PS-85731-001

<b>ENTER DESCRIPTION</b> EC NO: IPC2012-0520 DRWN: JBADER 2013/02/26 CHKD: MMANGARUDOV 2013/07/31 APPR: SSTE INKE 2014/09/03	<b>QUALITY SYMBOLS</b> ▽=0 ▽=0	<b>GENERAL TOLERANCES (UNLESS SPECIFIED)</b>		<b>DIMENSION STYLE</b> MM ONLY		SCALE 2:1	DESIGN UNITS METRIC	THIRD ANGLE PROJECTION
		4 PLACES ± --- ± --- 3 PLACES ± --- ± --- 2 PLACES ± 0.25 ± --- 1 PLACE ± 0.5 ± --- ANGULAR ± .5 °	mm INCH ± --- ± --- ± 0.25 ± --- ± 0.5 ± ---	DRAWN BY MMANGARUDOV	DATE 2011/11/16	TITLE GIGABIT MAGNETIC JACK 2X6 LED		
DRAFT WHERE APPLICABLE MUST REMAIN WITHIN DIMENSIONS	SEE BOM	APPROVED BY SSTE INKE		DATE 2013/01/28		MOLEX INCORPORATED		
		MATERIAL NO.		DOCUMENT NO.		SD-85734-001		SHEET NO. 1 OF 4



ENTER DESCRIPTION EC NO: IPG2012-0520 2013/02/26 DRWN: JBADER CHKD: MMANGARUDOV 2013/07/31 APPR: SSTE INKE 2014/09/03	QUALITY SYMBOLS ▽=0 ▽=0	GENERAL TOLERANCES (UNLESS SPECIFIED)		DIMENSION STYLE MM ONLY	SCALE 2:1	DESIGN UNITS METRIC	THIRD ANGLE PROJECTION
		4 PLACES ± --- ± ---	3 PLACES ± --- ± ---	2 PLACES ± 0.25 ± ---	1 PLACE ± 0.5 ± ---	ANGULAR ± .5 °	DRAWN BY MMANGARUDOV 2011/11/16
DRAFT WHERE APPLICABLE MUST REMAIN WITHIN DIMENSIONS	SIZE A 2	SEE SHEET 1		APPROVED BY SSTE INKE 2013/01/28		MATERIAL NO. SD-85734-001	
		THIS DRAWING CONTAINS INFORMATION THAT IS PROPRIETARY TO MOLEX INCORPORATED AND SHOULD NOT BE USED WITHOUT WRITTEN PERMISSION		DOCUMENT NO.		SHEET NO. 2 OF 4	

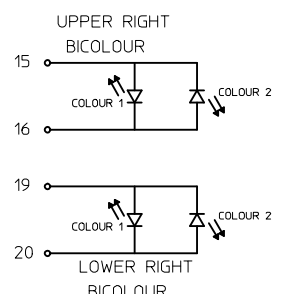
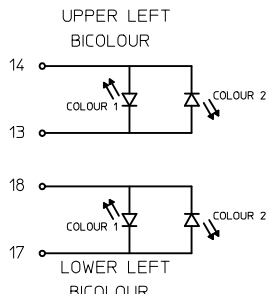
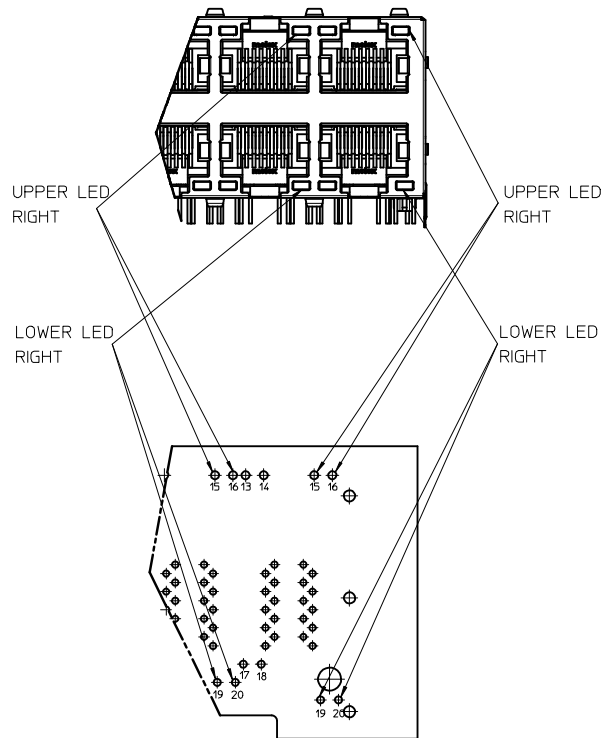
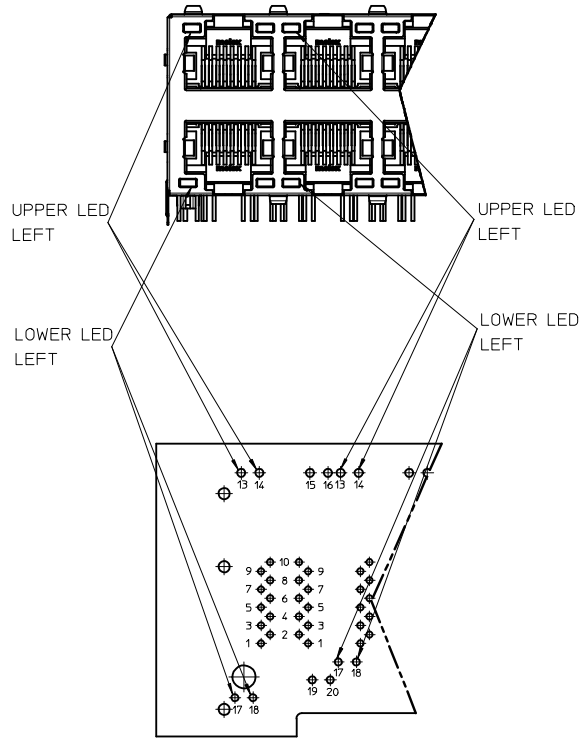
PRINTING  
 LED VERSION  
 P/N: 85734-1013  
 S/N: YYMMDD-CM-CONSECUTIVE NUMBER



NOTES:

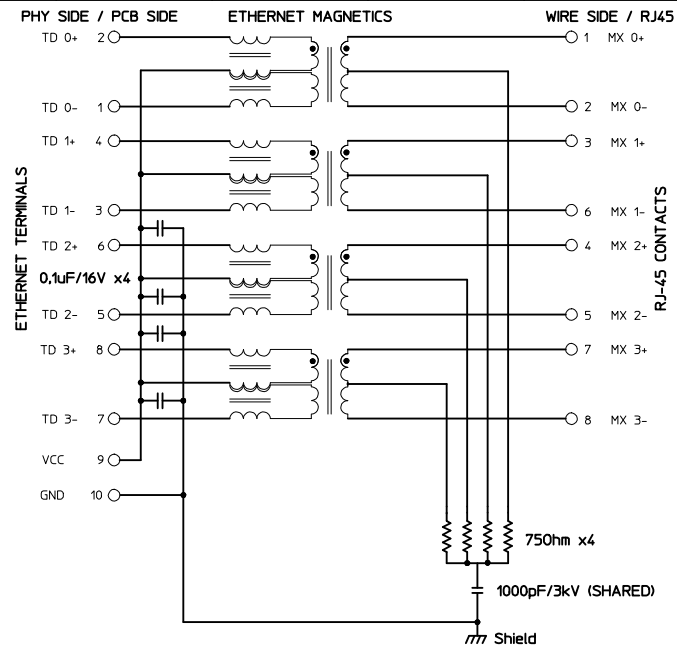
- 1 - PRINTING MARKED BY LASER
- 2 - INSCRIPTION:  
 1st LINE: PART NUMBER  
 2nd LINE: DATE CODE (YEAR, MONTH, DAY) - MANUFACTURER ID - CONSECUTIVE NUMBER
- 3 - UL LOGO

ENTER DESCRIPTION EC NO: IPG2012-0520 DRWN: JBADER 2013/02/26 CHKD: MMANGARUDOV 2013/07/31 APPR: SSTE INKE 2014/09/03	QUALITY SYMBOLS ▼=0 ▽=0	GENERAL TOLERANCES (UNLESS SPECIFIED) <table border="1"> <thead> <tr> <th></th> <th>mm</th> <th>INCH</th> </tr> </thead> <tbody> <tr> <td>4 PLACES</td> <td>± ---</td> <td>± ---</td> </tr> <tr> <td>3 PLACES</td> <td>± ---</td> <td>± ---</td> </tr> <tr> <td>2 PLACES</td> <td>± 0.25</td> <td>± ---</td> </tr> <tr> <td>1 PLACE</td> <td>± 0.5</td> <td>± ---</td> </tr> <tr> <td colspan="3">ANGULAR ± .5 °</td> </tr> </tbody> </table>		mm	INCH	4 PLACES	± ---	± ---	3 PLACES	± ---	± ---	2 PLACES	± 0.25	± ---	1 PLACE	± 0.5	± ---	ANGULAR ± .5 °			DIMENSION STYLE <b>MM ONLY</b>	SCALE <b>2:1</b>	DESIGN UNITS <b>METRIC</b>	THIRD ANGLE PROJECTION
		mm	INCH																					
	4 PLACES	± ---	± ---																					
	3 PLACES	± ---	± ---																					
2 PLACES	± 0.25	± ---																						
1 PLACE	± 0.5	± ---																						
ANGULAR ± .5 °																								
DRAWN BY MMANGARUDOV	DATE 2011/11/16	TITLE <b>GIGABIT MAGNETIC JACK 2X6 LED</b>																						
CHECKED BY JBADER	DATE 2011/11/24	MOLEX INCORPORATED																						
APPROVED BY SSTE INKE	DATE 2013/01/28	MATERIAL NO. <b>SEE SHEET 1</b>	DOCUMENT NO. <b>SD-85734-001</b>	SHEET NO. <b>3 OF 4</b>																				
DRAFT WHERE APPLICABLE MUST REMAIN WITHIN DIMENSIONS		THIS DRAWING CONTAINS INFORMATION THAT IS PROPRIETARY TO MOLEX INCORPORATED AND SHOULD NOT BE USED WITHOUT WRITTEN PERMISSION																						



UPPER POSITION	LOWER POSITION	LEFT COLOUR	RIGHT COLOUR
14	18	+	-
13	17	-	+

UPPER POSITION	LOWER POSITION	RIGHT COLOUR	LEFT COLOUR
15	19	+	-
16	20	-	+



PIN	ETHERNET MAGNETICS
10	GND
9	Vcc
8	TD 3+
7	TD 3-
6	TD 2+
5	TD 2-
4	TD 1+
3	TD 1-
2	TD 0+
1	TD 0-

<b>ENTER DESCRIPTION</b> EC NO: IFC2012-0520 DRWN: JBADER 2013/02/26 CHKD: MMANGARUDOV 2013/07/31 APPR: SSTEINKE 2014/09/03	<b>QUALITY SYMBOLS</b>   	<b>GENERAL TOLERANCES (UNLESS SPECIFIED)</b>		<b>DIMENSION STYLE</b> MM ONLY	<b>SCALE</b> 2:1	<b>DESIGN UNITS</b> METRIC	<b>THIRD ANGLE PROJECTION</b>
		4 PLACES ± --- ± --- 3 PLACES ± --- ± --- 2 PLACES ± 0.25 ± --- 1 PLACE ± 0.5 ± --- ANGULAR ± .5°	mm INCH DRAWN BY DATE MMANGARUDOV 2011/11/16 CHECKED BY DATE JBADER 2011/11/24 APPROVED BY DATE SSTEINKE 2013/01/28 MATERIAL NO. <b>SEE SHEET 1</b>	TITLE <b>GIGABIT MAGNETIC JACK 2X6 LED</b>	<b>MOLEX INCORPORATED</b> DOCUMENT NO. <b>SD-85734-001</b>	SHEET NO. <b>4 OF 4</b>	
DRAFT WHERE APPLICABLE MUST REMAIN WITHIN DIMENSIONS		THIS DRAWING CONTAINS INFORMATION THAT IS PROPRIETARY TO MOLEX INCORPORATED AND SHOULD NOT BE USED WITHOUT WRITTEN PERMISSION					