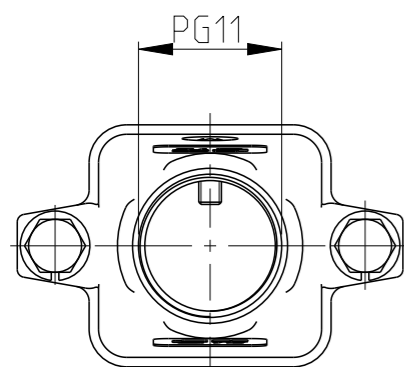
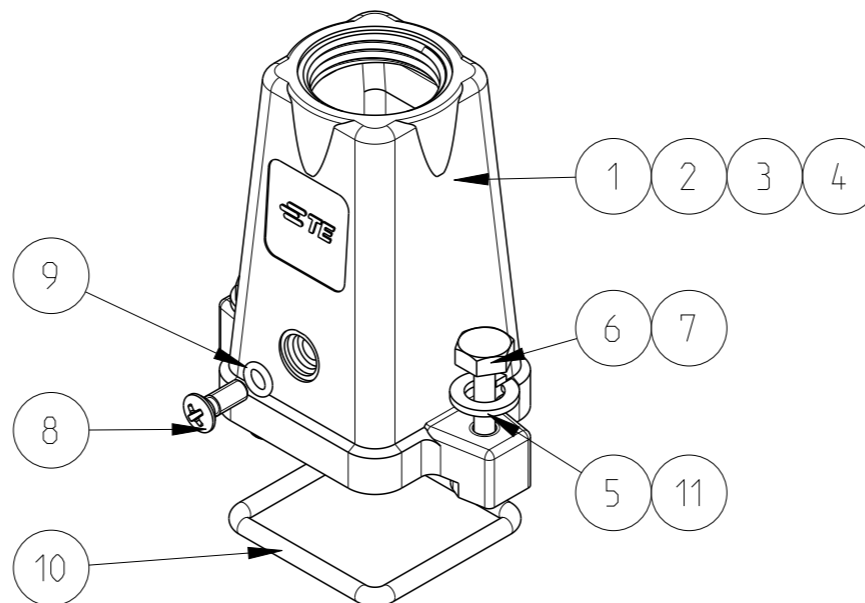
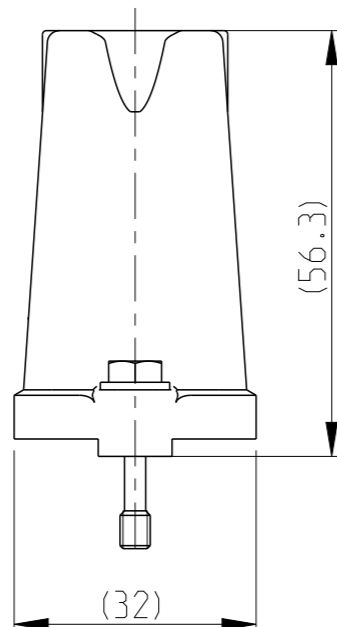
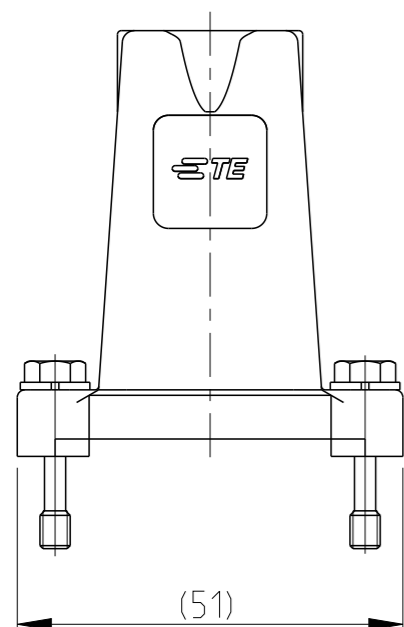


P	LTR	DESCRIPTION	DATE	DWN	APVD
B		ECR-16-001855	29FEB2016	GCM	JB
C		ECR-16-014579	25APR2017	GCM	JB
C1		ECR-17-014011	16JAN2018	RSM	MKO
C2		ECR-21-123464	07MAR2022	RK	JB



PN 0-3 AS SHOWN


OBSOLETE	0-1102700-5	EMV-K.3/4.STO.1.11.G
OBSOLETE	0-1102700-4	EMV.3/4.STO.1.11.G
OBSOLETE	0-1102700-1	EMV-K.3/4.STO.1.11.G
	4-1102700-5	EMV.3/4.STO.1.11.G
	3-1102700-5	EMV-K.3/4.STO.1.11.G
	PART NO.	ORDERING TEXT

Notes

- 1 SUITABLE HOUSINGS: SERIES EMV, SIZE 1
CUSTOMER DRAWING 1102703, 1102702
- 2 STANDARDS: DIN EN 61984, DIN EN 60664-1
- 3 CHROMIT AL TCP PASSIVATION
- 4 TOOLS: PHILLIPS SCREWDRIVER PH1
HEXAGON SCREWDRIVER 7mm
- 5 VARNISH ON INSIDE AREA NOT NECESSARY
- 6 PACKAGING: 10 SETS IN A CARTON, PRE-MOUNTED

OBSOLETE	OBSOLETE	OBSOLETE													
2	2	2	-	-	WASHER, PLAIN	STAINL. STEEL	BLANK	A4, DIN EN ISO 7989, 200HV (V4A)							11
					O-RING	FKM	BLACK	28x2.5 din 3771							10
			1	1	O - RING	NBR	BLACK	3.0x1.0							9
			1	1	SCREW COUNTERSUNK RAISED HEAD	STAINL. STEEL	V2A	M3x8 PH1 DIN EN ISO 7047							8
			2	2	SCREW, HEXAGON BOLT	STAINL. STEEL	BLANK	M4x22 DIN EN ISO 7964, RED. SHUNK (V4A)							7
					SCREW, HEXAGON BOLT	STAINL. STEEL	BLANK	M4x22 DIN EN ISO 7964, REDUCED SHUNK							6
					WASHER, PLAIN	STAINL. STEEL	BLANK	A4, DIN EN ISO 7989, 200HV							5
					CONNECTOR HOUSING	ALU ALLOY	BLACK	3	SERIES EMV-K WE LOGO						4
					CONNECTOR HOUSING	ALU ALLOY	SILVER	3	SERIES EMV-K						3
					CONNECTOR HOUSING	ALU ALLOY	BLACK	3	SERIES EMV-K						2
					CONNECTOR HOUSING	ALU ALLOY	GREY		SERIES EMV						1
0-5	0-4	0-1	4-5	3-5											
					PN/QTY	DESCRIPTION	MATERIAL	COLOR/SURFACE	NOTE						ITEM

PARTS LIST (PER ONE UNIT)

THIS DRAWING IS A CONTROLLED DOCUMENT.		DWN V.GLUMM 18AUG2009	 TE Connectivity	NAME	
DIMENSIONS: mm		CHK H.Braun 18AUG2009		CONNECTOR HOUSING ASS'Y, TOP ENTRY	
TOLERANCES UNLESS OTHERWISE SPECIFIED:		APVD T.Schnurpfeil 18AUG2009		SERIES EMV, SIZE 1	
0 PLC ± 1 PLC ± 2 PLC ± 3 PLC ± 4 PLC ± ANGLES ±°		PRODUCT SPEC 108-74036		STEEL CONDUIT THREAD	
MATERIAL -		FINISH -	APPLICATION SPEC 114-74017	SIZE A3	CAGE CODE 00779
			WEIGHT -	DRAWING NO C-1102700	RESTRICTED TO
			CUSTOMER DRAWING	SCALE 1:1	SHEET 1 OF 1