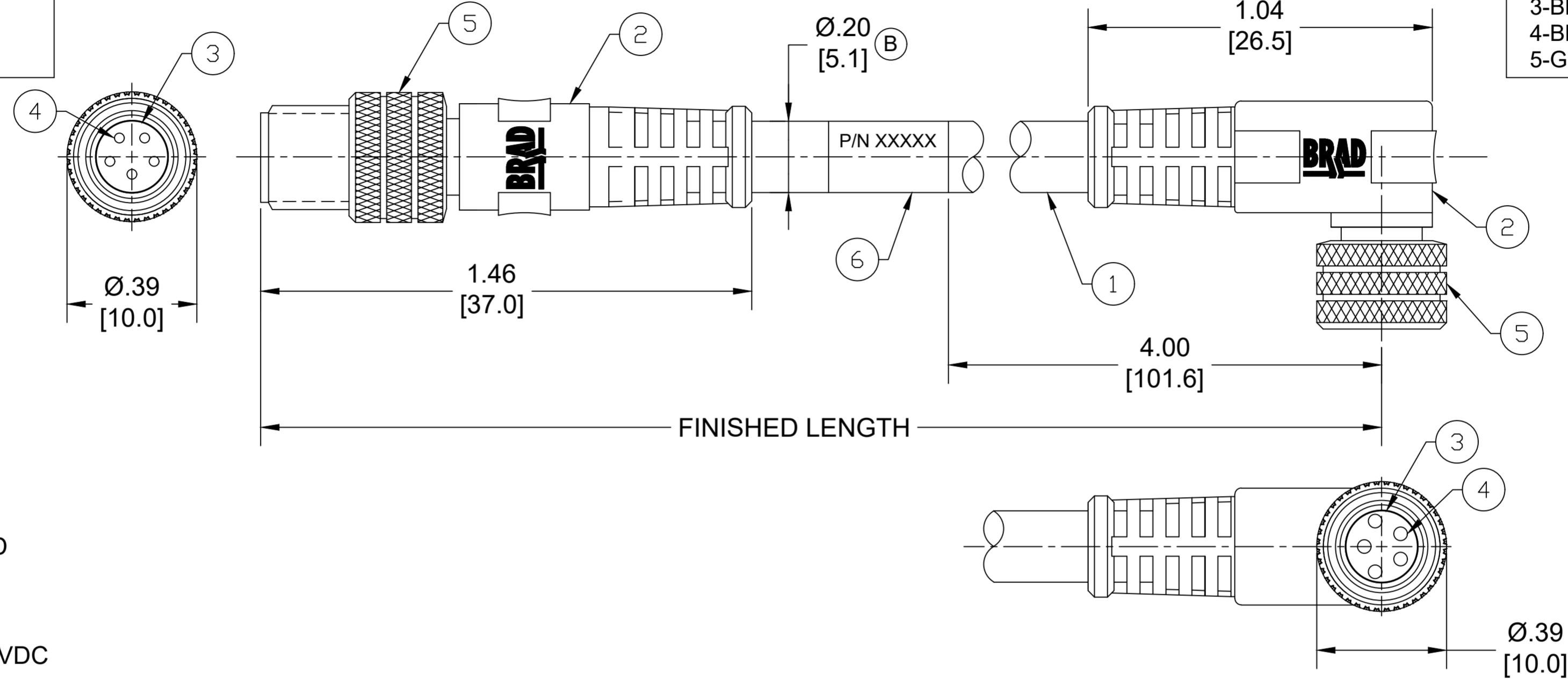
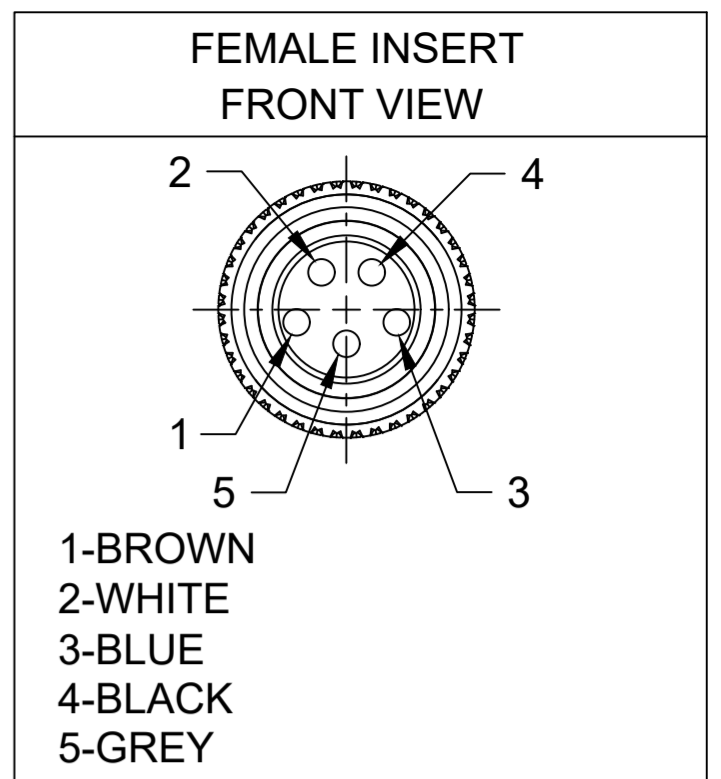


MATERIAL NUMBER	ENGINEERING NUMBER	FINISHED LENGTH
1200870287	445031A10M010	1M [3 FT 3 IN]

PART NO. MATRIX
445031A10M010

LENGTH
M001 = .1 METER
M010 = 1 METER
M100 = 10 METER



- NOTES:**
- MATERIAL: AS NOTED
 - FINISH: AS NOTED
 - ELECTRICAL:
VOLTAGE : 60VAC/75VDC
CURRENT: 3A
 - TEMP RATING: -20° TO +105°C
 - PROTECTION: IP67 (WHEN MATED)
 - COUPLING THREAD: M8X1 (B)
 - UL LISTED FILE: E152210
CSA CERTIFIED FILE: LR6837
 - ALL DIMENSIONS ARE FOR REFERENCE UNLESS TOLERANCED OR NOTED OTHERWISE

1	BROWN	1
2	WHITE	2
3	BLUE	3
4	BLACK	4
5	GREY	5

(B) **CABLE LENGTH TOLERANCES**

<.3M [1FT]:	+19mm-0 [+.75in-0]
.3 - .9M [1 - 3FT]:	+44.5mm-0 [+1.75in-0]
.9 - 1.8M [3 - 6FT]:	+55.6mm-0 [+2.19in-0]
1.8 - 3.7M [6 - 12FT]:	+88.9mm-0 [+3.50in-0]
3.7 - 7.3M [12 - 24FT]:	+165.1mm-0 [+6.50in-0]
7.3-14.6M [24 - 48FT]:	+317.5mm-0 [+12.50in-0]
14.6 - 30.5M [48-100FT]:	+622.3mm-0 [+24.50in-0]
OVER 30M [100FT]	+2% OF FINISHED LENGTH

6	LABEL	VINYL	BLACK/YELLOW
5	COUPLING NUT	BRASS	NICKEL PLATED
4	CONTACT	COPPER ALLOY	GOLD/NICKEL PLATED
3	INSERT	PUR	BLACK
2	OVERMOLD	TPC	YELLOW
1	CABLE #24-5 AWG	PVC	YELLOW
ITEM	COMPONENT	MATERIAL	FINISH

PRE-RELEASED
REFERENCE
USE ONLY
DIAGRAM

THIS DRAWING CONTAINS INFORMATION THAT IS PROPRIETARY TO MOLEX ELECTRONIC TECHNOLOGIES, LLC AND SHOULD NOT BE USED WITHOUT WRITTEN PERMISSION

FUNCTIONAL SYMBOLS	DIMENSION UNITS	SCALE	CURRENT REV DESC: ITEM #2 WAS PVC. ADDED TOL CHART & CABLE DIA. ADDED NOTE-6
FA=0	INCH/MM	NTS	
FC=0	GENERAL TOLERANCES (UNLESS SPECIFIED)		
FP=0	mm	INCH	
DIVISIONAL SYMBOLS	4 PLACES	±----	±----
	3 PLACES	±----	±----
	2 PLACES	±----	±----
	1 PLACE	±----	±----
	0 PLACES	±----	±----
	ANGULAR TOL	± ---- °	
	DRAFT WHERE APPLICABLE MUST REMAIN WITHIN DIMENSIONS	THIRD ANGLE PROJECTION	DRAWING SERIES
			C-SIZE 120087

EC NO: 666551	2021/04/08	molex
DRWN: ABENJAMINLW	2021/06/10	
CHK'D: RSTONE		NANO-CHANGE CORDSET
APPR: ----		5 POLE, STRAIGHT MALE - 90 DEG FEMALE, #24 AWG
INITIAL REVISION:		PRODUCT CUSTOMER DRAWING
DRWN: EBRACKEN	2013/06/21	DOCUMENT NUMBER
APPR: BWOODMAN	2013/08/14	SD-120087-049
		DOC TYPE/DOC PART/REVISION
		PSD 001 B
		MATERIAL NUMBER
		SEE CHART
		CUSTOMER
		GENERAL MARKET
		SHEET NUMBER
		1 OF 1