

PART No. MATRIX

E 6 6 A 0 6 0 1 2 M X X X X

E=ETHERNET

HEADS:
6 = RJ45 PLUG
6 = RJ45 PLUG

HEADS STYLE:
060 = MALE STR / MALE STR

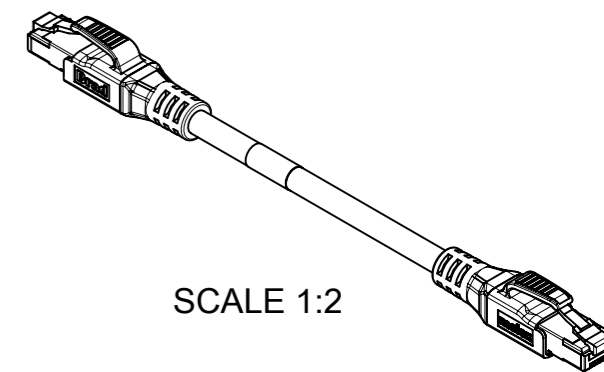
CABLE TYPE:
CABLE 12

UNITS:
M= METER
T= 10xMETER

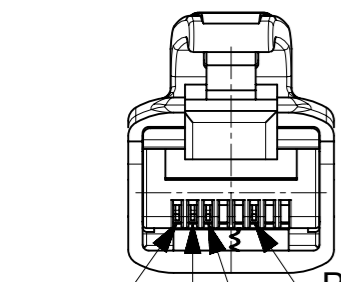
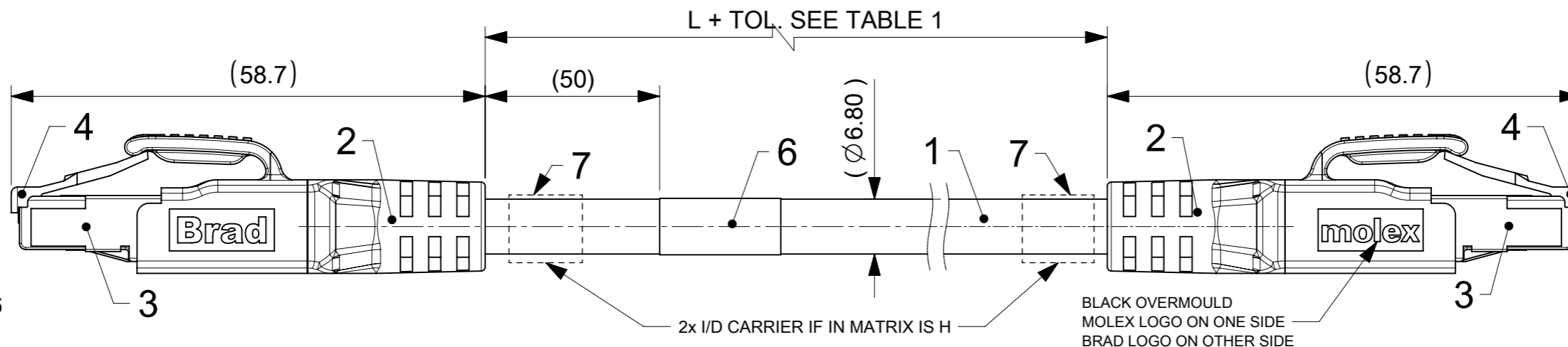
LENGTH EXAMPLES:
005=0.5 m
010=1 m
150=15 m
T100=100 m

H= 2 PCS. OF I/D Carrier

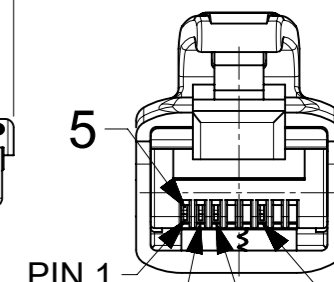
WIRING TYPE:
A=4 Pole (STRAIGHT WIRED)



SCALE 1:2



PIN 1
PIN 2
PIN 3
PIN 6
CONNECTOR PIN ASSIGNMENT
VIEW FROM THE FRONT SIDE
SCALE 2:1



PIN 1
PIN 2
PIN 3
PIN 6
CONNECTOR PIN ASSIGNMENT
VIEW FROM THE FRONT SIDE
SCALE 2:1

TABLE 1

| MOLEX PN | ENGINEERING NO | L (m) |
|------------|----------------|-------|
| 1201088393 | E66A06012M002H | 0.2 |
| 1201088554 | E66A06012M003 | 0.3 |
| 1201088394 | E66A06012M005H | 0.5 |
| 1201088555 | E66A06012M006 | 0.6 |
| 1201088353 | E66A06012M010 | 1 |
| 1201088293 | E66A06012M010H | 1 |
| 1201088747 | E66A06012M015 | 1.5 |
| 1201088354 | E66A06012M020 | 2 |
| 1201088294 | E66A06012M020H | 2 |
| 1201088655 | E66A06012M025 | 2.5 |
| 1201088355 | E66A06012M030 | 3 |
| 1201088300 | E66A06012M030H | 3 |
| 1201088356 | E66A06012M040 | 4 |
| 1201088357 | E66A06012M050 | 5 |
| 1201088295 | E66A06012M050H | 5 |
| 1201088358 | E66A06012M060 | 6 |
| 1201088748 | E66A06012M070 | 7 |
| 1201088359 | E66A06012M080 | 8 |
| 1201088360 | E66A06012M090 | 9 |
| 1201088361 | E66A06012M100 | 10 |
| 1201088296 | E66A06012M100H | 10 |
| 1201088362 | E66A06012M120 | 12 |
| 1201088363 | E66A06012M150 | 15 |
| 1201088297 | E66A06012M150H | 15 |

| MOLEX PN | ENGINEERING NO | L (m) |
|------------|----------------|-------|
| 1201088364 | E66A06012M200 | 20 |
| 1201088298 | E66A06012M200H | 20 |
| 1201088365 | E66A06012M250 | 25 |
| 1201088395 | E66A06012M250H | 25 |
| 1201088366 | E66A06012M300 | 30 |
| 1201088301 | E66A06012M300H | 30 |
| 1201088367 | E66A06012M350 | 35 |
| 1201088368 | E66A06012M400 | 40 |
| 1201088396 | E66A06012M400H | 40 |
| 1201088369 | E66A06012M450 | 45 |
| 1201088370 | E66A06012M500 | 50 |
| 1201088302 | E66A06012M500H | 50 |
| 1201088371 | E66A06012M550 | 55 |
| 1201088372 | E66A06012M600 | 60 |
| 1201088397 | E66A06012M600H | 60 |
| 1201088373 | E66A06012M650 | 65 |
| 1201088374 | E66A06012M700 | 70 |
| 1201088386 | E66A06012M700H | 70 |
| 1201088375 | E66A06012M750 | 75 |
| 1201088376 | E66A06012M800 | 80 |
| 1201088746 | E66A06012M850 | 85 |
| 1201088387 | E66A06012M900H | 90 |
| 1201088398 | E66A06012T100H | 100 |

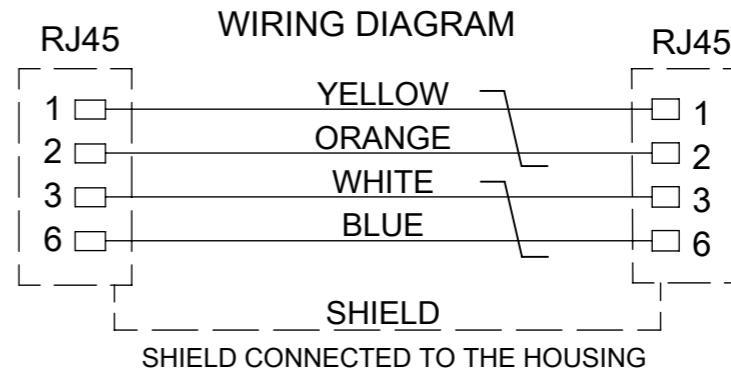


TABLE 2

| CABLE LENGTH TOLERANCES | |
|-------------------------|------------|
| LENGTH | TOLERANCE |
| 0m-1m | +40 mm |
| >1m-5m | +60 mm |
| >5m-10m | +80 mm |
| >10m-20m | +140 mm |
| >20m-30m | +160 mm |
| >30m | +1% length |

TECHNICAL DATA :

RJ45 to RJ45 CAT5e Cordset AWG22
straight green inline 360° shielded.

Poles : 4
Max. Voltage : 30V A.C. or 42V D.C.
Max. Current : 1.5A
Contact resistance : ≤10 mΩ
Insulation Withstand : >100MΩ
Protection RJ45 / RJ45 : IP20 / IP20
Temperature range : -25°C to 85°C

Transmission characteristics
ACCORDING TO ISO 11801 CATEGORY 5e
PATCH CORD PROFINET TYPE C

Packaging :
The cordsets are packed in a polybag.

BOM

* NOTE : ID CARRIER APPLICABLE, IF ENGINEERING No. HAS "H" (SEE TABLE1)

| ITEM | QTY | DESCRIPTION | MATERIAL | FINISH/COLOR |
|------|-----|------------------------|-----------------|----------------|
| 7 | 2 | ID CARRIER | PVC | TRANSPARENT |
| 6 | 1 | LABEL 2.0X1.75 | VINYL | YELLOW |
| 5 | 8 | CONTACT RJ45 | PHOSPHOR BRONZE | SELECTIVE GOLD |
| 4 | 1 | PLUG RJ45 TRANSPARENT | PC | - |
| 3 | 1 | SHIELD | BRASS | TIN |
| 2 | - | MOULDING MATERIAL | TPU | BLACK |
| 1 | - | CABLE 2x2x22AWG SHIELD | TPU | GREEN |

| | | | | | | | | | | | | | | | | | | | | | | | | | | | | | | | | | | | | | | | | |
|---------------------------------------|---|-----------------------------------|----------|--------|-----------------|----------------|---------------------------------------|--|---------------|---|------------|--|------------|--|------------|--|-----------|--|------------|--|--|--|---------------|------------|-----------|------------|----------------|------------|---------------|------------|--|--|--|--------------------------|--|--|-----------------|----------|----------|----------|
| FUNCTIONAL SYMBOLS | THIS DRAWING CONTAINS INFORMATION THAT IS PROPRIETARY TO MOLEX ELECTRONIC TECHNOLOGIES, LLC AND SHOULD NOT BE USED WITHOUT WRITTEN PERMISSION | CURRENT REV DESC: INITIAL RELEASE | | | | | | | | | | | | | | | | | | | | | | | | | | | | | | | | | | | | | | |
| | <table border="1"> <tr><td>mm</td><td>3:2</td></tr> <tr><td colspan="2">GENERAL TOLERANCES (UNLESS SPECIFIED)</td></tr> <tr><td>ANGULAR TOL ±</td><td>'</td></tr> <tr><td>4 PLACES ±</td><td></td></tr> <tr><td>3 PLACES ±</td><td></td></tr> <tr><td>2 PLACES ±</td><td></td></tr> <tr><td>1 PLACE ±</td><td></td></tr> <tr><td>0 PLACES ±</td><td></td></tr> </table> | mm | 3:2 | | | | GENERAL TOLERANCES (UNLESS SPECIFIED) | | ANGULAR TOL ± | ' | 4 PLACES ± | | 3 PLACES ± | | 2 PLACES ± | | 1 PLACE ± | | 0 PLACES ± | | <table border="1"> <tr><td>EC NO: 640263</td><td>2021/04/01</td></tr> <tr><td>DRWN: SSM</td><td>2021/06/02</td></tr> <tr><td>CHK'D: RSILLER</td><td>2021/06/02</td></tr> <tr><td>APPR: RSILLER</td><td>2021/06/02</td></tr> </table> | | EC NO: 640263 | 2021/04/01 | DRWN: SSM | 2021/06/02 | CHK'D: RSILLER | 2021/06/02 | APPR: RSILLER | 2021/06/02 | <table border="1"> <tr><td colspan="3">PRODUCT CUSTOMER DRAWING</td></tr> <tr><td>DOCUMENT NUMBER</td><td>DOC TYPE</td><td>DOC PART</td><td>REVISION</td></tr> <tr><td>1201088293</td><td>PSD</td><td>000</td><td>A</td></tr> </table> | | | PRODUCT CUSTOMER DRAWING | | | DOCUMENT NUMBER | DOC TYPE | DOC PART | REVISION |
| mm | 3:2 | | | | | | | | | | | | | | | | | | | | | | | | | | | | | | | | | | | | | | | |
| GENERAL TOLERANCES (UNLESS SPECIFIED) | | | | | | | | | | | | | | | | | | | | | | | | | | | | | | | | | | | | | | | | |
| ANGULAR TOL ± | ' | | | | | | | | | | | | | | | | | | | | | | | | | | | | | | | | | | | | | | | |
| 4 PLACES ± | | | | | | | | | | | | | | | | | | | | | | | | | | | | | | | | | | | | | | | | |
| 3 PLACES ± | | | | | | | | | | | | | | | | | | | | | | | | | | | | | | | | | | | | | | | | |
| 2 PLACES ± | | | | | | | | | | | | | | | | | | | | | | | | | | | | | | | | | | | | | | | | |
| 1 PLACE ± | | | | | | | | | | | | | | | | | | | | | | | | | | | | | | | | | | | | | | | | |
| 0 PLACES ± | | | | | | | | | | | | | | | | | | | | | | | | | | | | | | | | | | | | | | | | |
| EC NO: 640263 | 2021/04/01 | | | | | | | | | | | | | | | | | | | | | | | | | | | | | | | | | | | | | | | |
| DRWN: SSM | 2021/06/02 | | | | | | | | | | | | | | | | | | | | | | | | | | | | | | | | | | | | | | | |
| CHK'D: RSILLER | 2021/06/02 | | | | | | | | | | | | | | | | | | | | | | | | | | | | | | | | | | | | | | | |
| APPR: RSILLER | 2021/06/02 | | | | | | | | | | | | | | | | | | | | | | | | | | | | | | | | | | | | | | | |
| PRODUCT CUSTOMER DRAWING | | | | | | | | | | | | | | | | | | | | | | | | | | | | | | | | | | | | | | | | |
| DOCUMENT NUMBER | DOC TYPE | DOC PART | REVISION | | | | | | | | | | | | | | | | | | | | | | | | | | | | | | | | | | | | | |
| 1201088293 | PSD | 000 | A | | | | | | | | | | | | | | | | | | | | | | | | | | | | | | | | | | | | | |
| DIVISIONAL SYMBOLS | DRAFT WHERE APPLICABLE MUST REMAIN WITHIN DIMENSIONS | THIRD ANGLE PROJECTION | DRAWING | SERIES | MATERIAL NUMBER | CUSTOMER | SHEET NUMBER | | | | | | | | | | | | | | | | | | | | | | | | | | | | | | | | | |
| | | | A3-SIZE | 120108 | SEE TABLE 1 | GENERAL MARKET | 1 OF 1 | | | | | | | | | | | | | | | | | | | | | | | | | | | | | | | | | |

RJ 45

PART No MATRIX

RJ 45

| PIN | WIRE COLOR |
|-----|------------|
| 1 | YELLOW |
| 2 | ORANGE |
| 3 | WHITE |
| 6 | BLUE |

| PIN | WIRE COLOR |
|-----|------------|
| 1 | YELLOW |
| 2 | ORANGE |
| 3 | WHITE |
| 6 | BLUE |

SHIELD CONNECTED TO THE HOUSING

SHIELD CONNECTED TO THE HOUSING

E 6 6 A 0 6 0 1 2 X X X X X

E=ETHERNET/
EtherCat

HEADS:
6=RJ45 PLUG
6=RJ45 PLUG

HEADS STYLE:
060=MALE STR / MALE STR

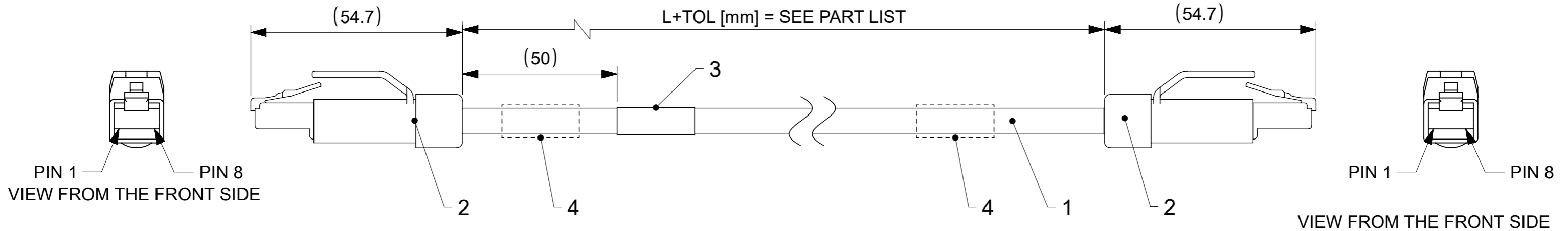
UNITS:
M=METER
T=10x METER
C=CENTIMETER

LENGTH EXAMPLES:
005=0.5
010=1
150=15

H= 2 PCS.
Z / OF I/D Carrier

WIRING TYPE:
A=4 Pole (STRAIGHT WIRED)

CABLE TYPE:



BOM

| ITEM | QTY | DESCRIPTION | MMATERIAL | FINISH/COLOR |
|------|-----|---------------------------------|-----------|--------------|
| 4 | 2 | ID CARRIER - SEE MATRIX | PVC | TRANSPARENT |
| 3 | 1 | LABEL | VINYL | YELLOW |
| 2 | 2 | HOUSING P20 PLUG CONNECTOR Cat5 | - | - |
| 1 | - | CABLE 2x2x22AWG SHIELD | TPU | GREEN |

| FUNCTIONAL SYMBOLS | THIS DRAWING CONTAINS INFORMATION THAT IS PROPRIETARY TO MOLEX ELECTRONIC TECHNOLOGIES, LLC AND SHOULD NOT BE USED WITHOUT WRITTEN PERMISSION | CURRENT REV DESC: | molex | | |
|--------------------|---|-------------------------------|-------------------------------|----------------|--------------|
| FA = 0 | mm | SCALE 1:1 | CSE ETH ETH RJ45 WSOR RJ45 XM | | |
| FE = 0 | GENERAL TOLERANCES (UNLESS SPECIFIED) | | PRODUCT CUSTOMER DRAWING | | |
| FE = 0 | ANGULAR TOL ± ° | | DOCUMENT NUMBER | DOC TYPE | DOC PART |
| | 4 PLACES ± | EC NO: 638569 | 1201088293 | PSD | 00P |
| | 3 PLACES ± | DRWN: MKOWALCZYK01 2020/05/29 | | | A8 |
| | 2 PLACES ± | CHK'D: DSTACHOWIAK 2020/05/29 | | | |
| | 1 PLACE ± | APPR: DSTACHOWIAK 2020/05/29 | | | |
| | 0 PLACES ± | INITIAL REVISION: | | | |
| | | DRWN: DSTACHOWIAK 2016/10/20 | | | |
| | | APPR: MIWASIECZKO 2016/10/24 | | | |
| | DRAFT WHERE APPLICABLE MUST REMAIN WITHIN DIMENSIONS | THIRD ANGLE PROJECTION | MATERIAL NUMBER | CUSTOMER | SHEET NUMBER |
| | | | SEE SHEET 2 | GENERAL MARKET | 1 OF 2 |

NOTE:
1. PART LIST ON SECOND SHEET


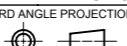
| | | | | |
|-----------------|----|--------------|------------|----------|
| DOCUMENT STATUS | P1 | RELEASE DATE | 2020/05/29 | 10:29:15 |
|-----------------|----|--------------|------------|----------|

PART LIST

| MOLEX PN | ENGINEERING NO | L+Tol.[mm] |
|------------|----------------|------------|
| 1201088293 | E66A06012M010H | 1000 +40 |
| 1201088294 | E66A06012M020H | 2000 +60 |
| 1201088295 | E66A06012M050H | 5000 +60 |
| 1201088296 | E66A06012M100H | 10000 +80 |
| 1201088297 | E66A06012M150H | 15000 +140 |
| 1201088298 | E66A06012M200H | 20000 +140 |
| 1201088300 | E66A06012M030H | 3000 +60 |
| 1201088301 | E66A06012M300H | 30000 +160 |
| 1201088302 | E66A06012M500H | 50000 +500 |
| 1201088353 | E66A06012M010 | 1000 +40 |
| 1201088354 | E66A06012M020 | 2000 +60 |
| 1201088355 | E66A06012M030 | 3000 +60 |
| 1201088356 | E66A06012M040 | 4000 +60 |
| 1201088357 | E66A06012M050 | 5000 +60 |
| 1201088358 | E66A06012M060 | 6000 +80 |
| 1201088359 | E66A06012M080 | 8000 +80 |
| 1201088360 | E66A06012M090 | 9000 +80 |
| 1201088361 | E66A06012M100 | 10000 +80 |
| 1201088362 | E66A06012M120 | 12000 +140 |
| 1201088363 | E66A06012M150 | 15000 +140 |
| 1201088364 | E66A06012M200 | 20000 +140 |
| 1201088365 | E66A06012M250 | 25000 +160 |
| 1201088366 | E66A06012M300 | 30000 +160 |
| 1201088367 | E66A06012M350 | 35000 +350 |
| 1201088368 | E66A06012M400 | 40000 +400 |
| 1201088369 | E66A06012M450 | 45000 +450 |
| 1201088370 | E66A06012M500 | 50000 +500 |
| 1201088371 | E66A06012M550 | 55000 +550 |
| 1201088372 | E66A06012M600 | 60000 +600 |
| 1201088373 | E66A06012M650 | 65000 +650 |

| MOLEX PN | ENGINEERING NO | L+Tol.[mm] |
|------------|----------------|--------------|
| 1201088374 | E66A06012M700 | 70000 +700 |
| 1201088375 | E66A06012M750 | 75000 +750 |
| 1201088376 | E66A06012M800 | 80000 +800 |
| 1201088386 | E66A06012M700H | 70000 +700 |
| 1201088387 | E66A06012M900H | 90000 +900 |
| 1201088393 | E66A06012M002H | 200 +40 |
| 1201088394 | E66A06012M005H | 500 +40 |
| 1201088395 | E66A06012M250H | 25000 +160 |
| 1201088396 | E66A06012M400H | 40000 +400 |
| 1201088397 | E66A06012M600H | 60000 +600 |
| 1201088398 | E66A06012T100H | 100000 +1000 |
| 1201088554 | E66A06012M003 | 300 +40 |
| 1201088555 | E66A06012M006 | 600 +40 |
| 1201088655 | E66A06012M025 | 2500 +60 |
| 1201088746 | E66A06012M850 | 85000 +850 |
| 1201088747 | E66A06012M015 | 1500 +60 |
| 1201088748 | E66A06012M070 | 7000 +80 |
| 1201088815 | E66A06012M090H | 9000 +80 |
| 1201088816 | E66A06012M170H | 17000 +140 |
| 1201088817 | E66A06012M060H | 6000 +80 |
| 1201088818 | E66A06012M800H | 80000 +800 |
| 1201088819 | E66A06012M680H | 68000 +680 |
| 1201088820 | E66A06012M720H | 72000 +720 |
| 1201088821 | E66A06012M320H | 32000 +320 |
| 1201088822 | E66A06012M120H | 12000 +140 |
| 1201088823 | E66A06012M130H | 13000 +140 |
| 1201088824 | E66A06012M180H | 18000 +140 |
| 1201088825 | E66A06012M350H | 35000 +350 |
| 1201088826 | E66A06012M570H | 57000 +570 |
| 1201088827 | E66A06012M260H | 26000 +160 |

| MOLEX PN | ENGINEERING NO. | L+Tol.[mm] |
|------------|-----------------|------------|
| 1201088828 | E66A06012M480H | 48000 +480 |
| 1201088829 | E66A06012M350H | 35000 +350 |
| 1201088830 | E66A06012M530H | 53000 +530 |
| 1201088831 | E66A06012M180H | 18000 +140 |
| 1201088832 | E66A06012M450H | 45000 +450 |
| 1201088833 | E66A06012M080H | 8000 +80 |
| 1201088834 | E66A06012M270H | 27000 +160 |
| 1201088835 | E66A06012M280H | 28000 +160 |
| 1201088836 | E66A06012M220H | 22000 +160 |
| 1201088837 | E66A06012M210H | 21000 +160 |
| 1201088846 | E66A06012C350H | 350 +40 |

| | | | | | | | |
|--|---|---|-------------------------------|----------|---|----------------|--------------|
| FUNCTIONAL SYMBOLS $\sqrt{A} = 0$ $\sqrt{E} = 0$ $\sqrt{P} = 0$ | THIS DRAWING CONTAINS INFORMATION THAT IS PROPRIETARY TO MOLEX ELECTRONIC TECHNOLOGIES, LLC AND SHOULD NOT BE USED WITHOUT WRITTEN PERMISSION | | CURRENT REV DESC: | |  | | |
| | DIMENSION UNITS | SCALE | EC NO: 638569 | | | | |
| | mm | 1:1 | DRWN: MKOWALCZYK01 2020/05/29 | | | | |
| | GENERAL TOLERANCES (UNLESS SPECIFIED) | | CHK'D: DSTACHOWIAK 2020/05/29 | | | | |
| DIVISIONAL SYMBOLS | ANGULAR TOL ± ° | | APPR: DSTACHOWIAK 2020/05/29 | | PRODUCT CUSTOMER DRAWING | | |
| | 4 PLACES ± | INITIAL REVISION: | | | | | |
| | 3 PLACES ± | DRWN: DSTACHOWIAK 2016/10/20 | | | | | |
| | 2 PLACES ± | APPR: MIWASIECZKO 2016/10/24 | | | | | |
| 1 PLACE ± | DOCUMENT NUMBER | | DOC TYPE | DOC PART | REVISION | | |
| 0 PLACES ± | 1201088293 | | PSD | 00P | A8 | | |
| DRAFT WHERE APPLICABLE MUST REMAIN WITHIN DIMENSIONS | | THIRD ANGLE PROJECTION | DRAWING | SERIES | MATERIAL NUMBER | CUSTOMER | SHEET NUMBER |
| | |  | A3-SIZE | 120108 | SEE PART LIST | GENERAL MARKET | 2 OF 2 |