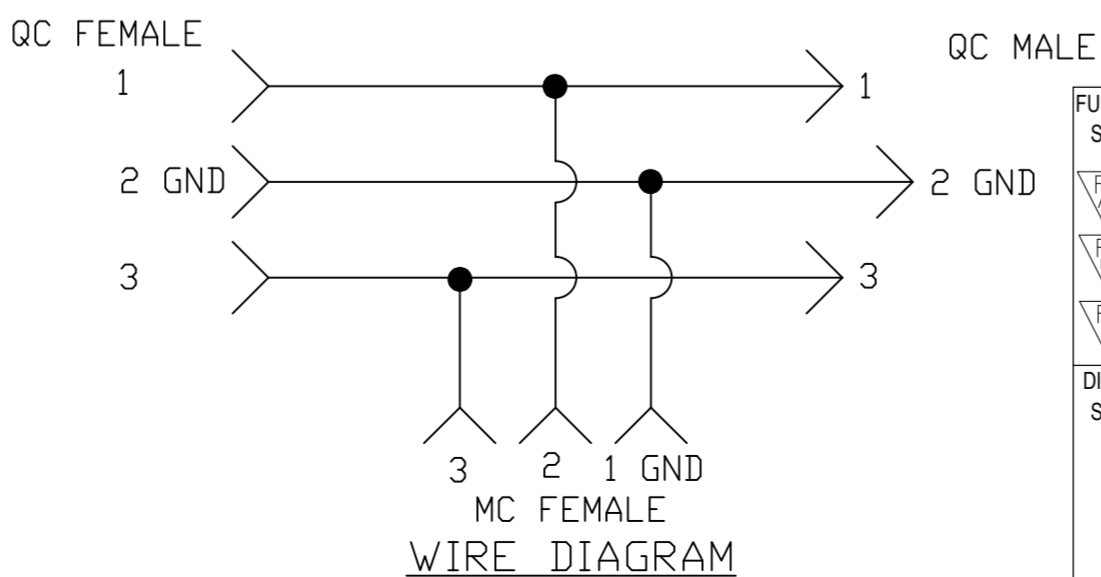
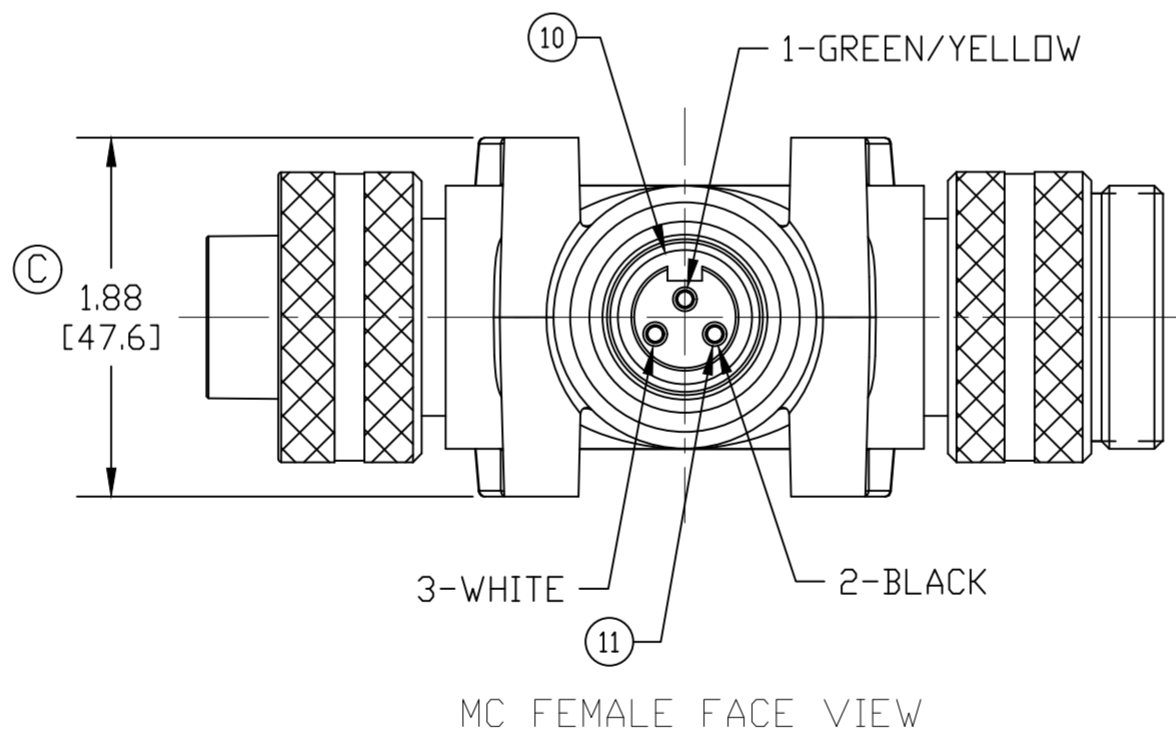
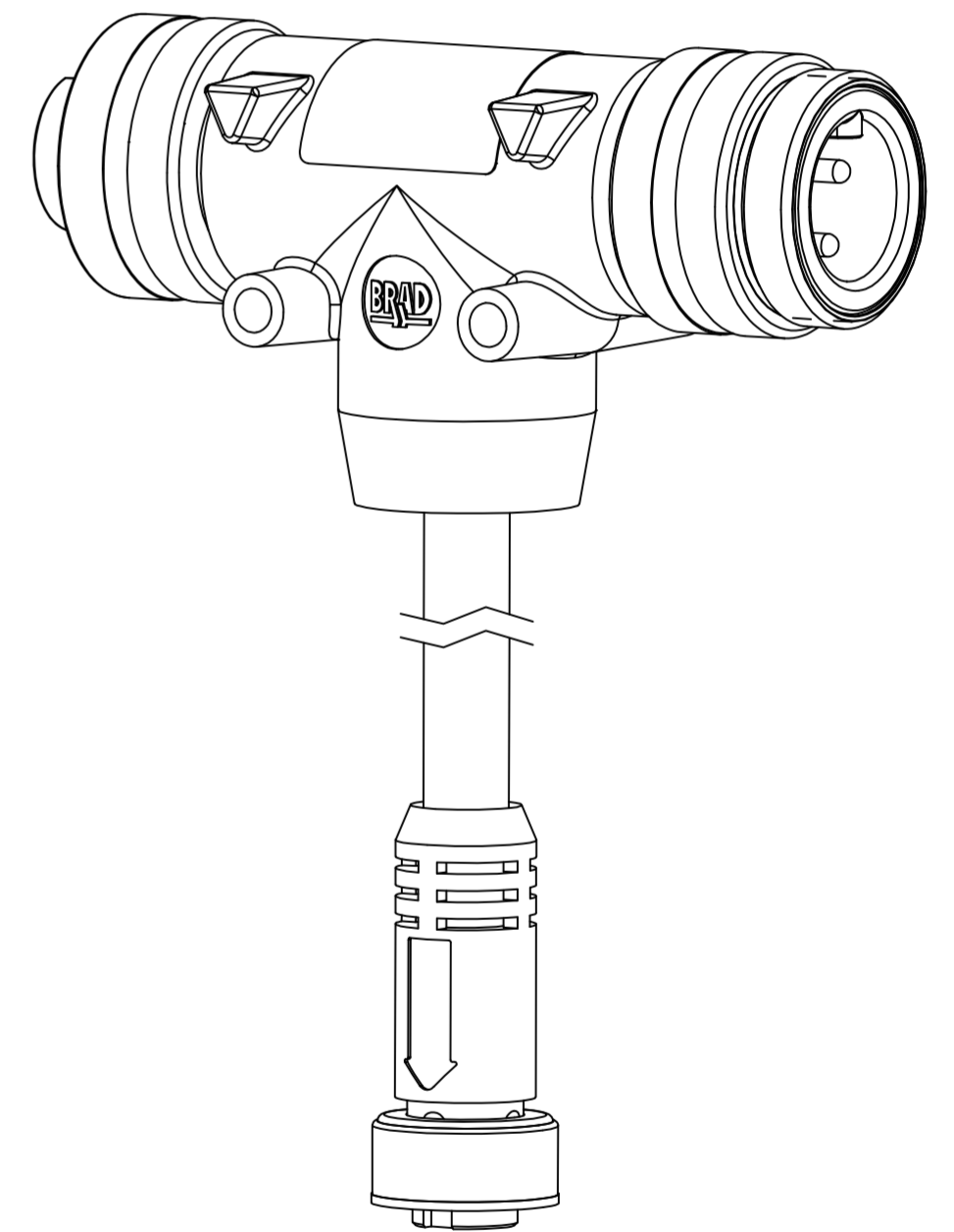
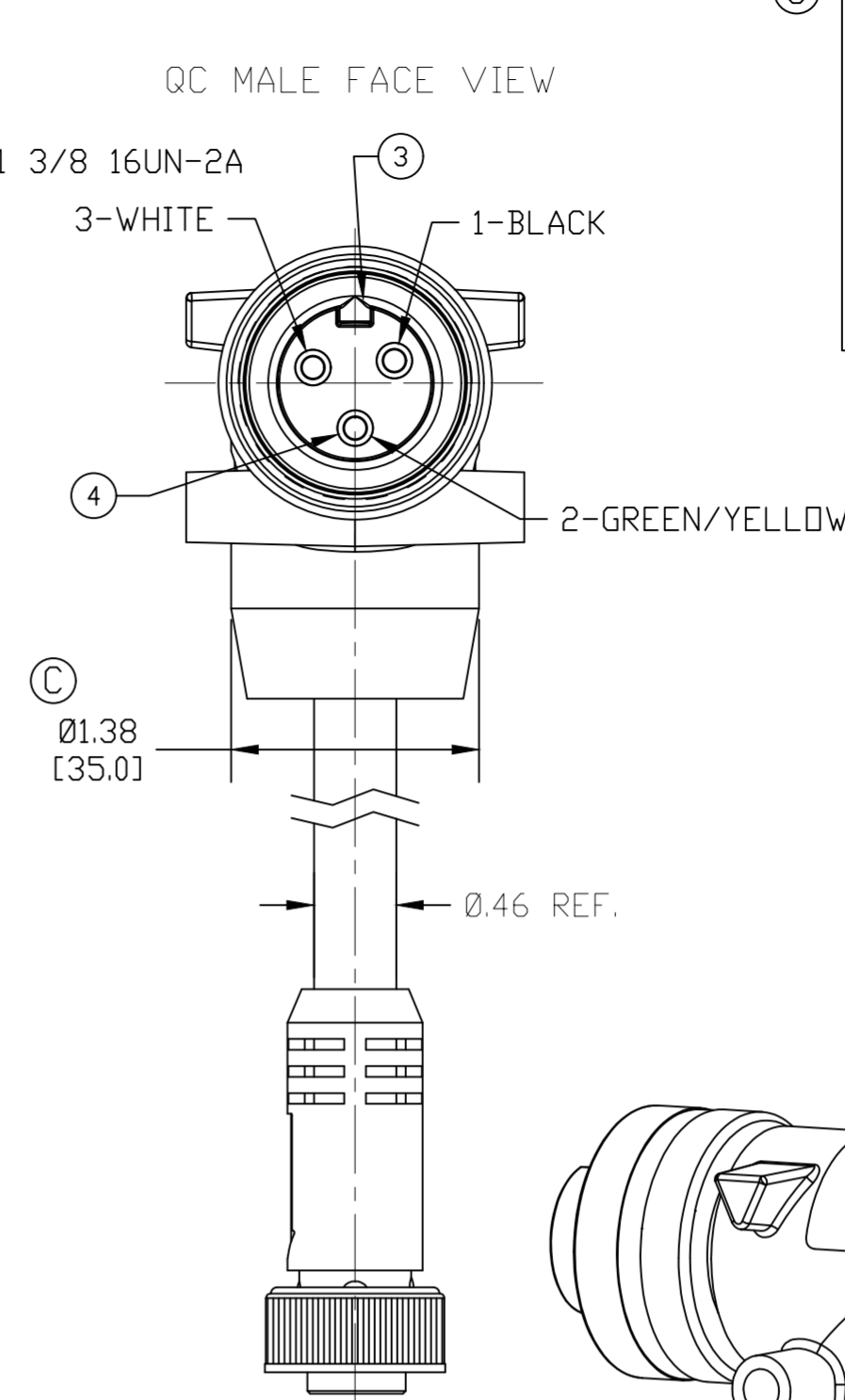
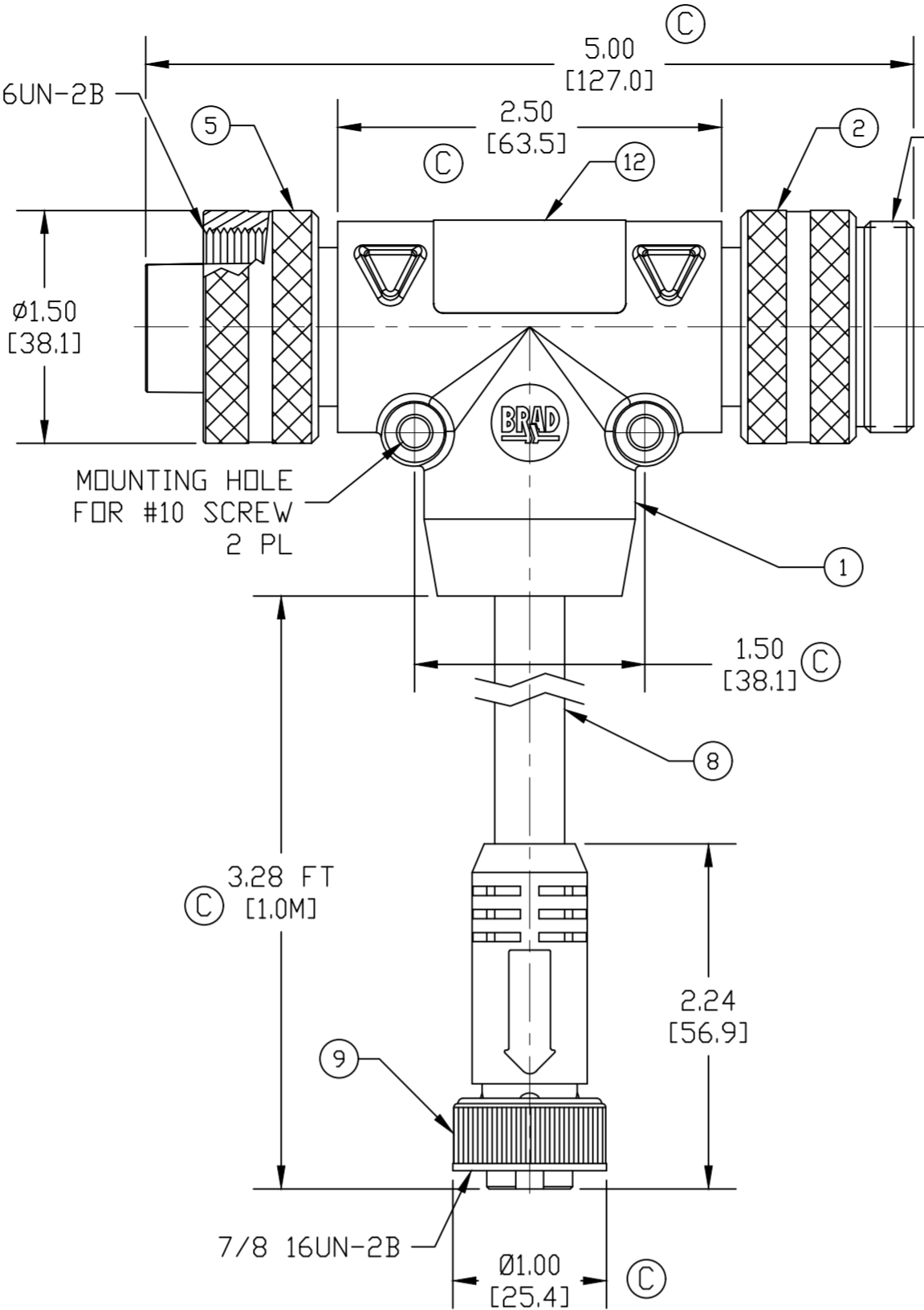
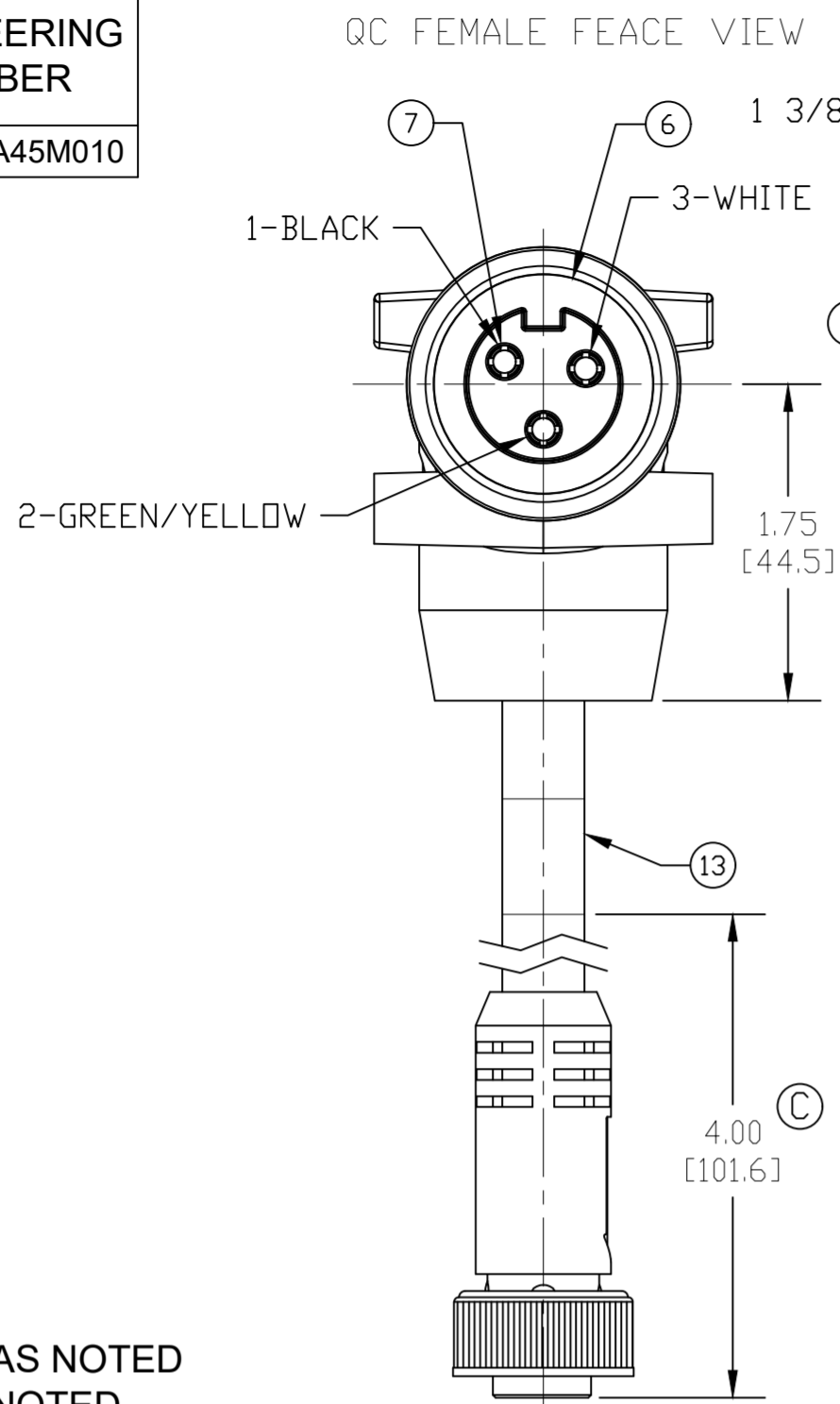


PART NUMBER	ENGINEERING NUMBER
1300680039	TC30200A45M010



**CABLE LENGTH TOLERANCES**

< 3M [1FT]	+19mm-0 [+0.75in-0]
.3 - .9M [1 - 3FT]	+44.5mm-0 [+1.75in-0]
.9 - 1.8M [3 - 6FT]	+55.6mm-0 [+2.19in-0]
1.8 - 3.7M [6 - 12FT]	+88.9mm-0 [+3.50in-0]
3.7 - 7.3M [12 - 24FT]	+165.1mm-0 [+6.50in-0]
7.3 - 14.6M [24 - 48FT]	+317.5mm-0 [+12.50in-0]
14.6 - 30.5M [48 - 100FT]	+622.3mm-0 [+24.50in-0]
OVER 30M [100FT]	+2% OF FINISHED LENGTH

- NOTES:**
- MATERIAL: AS NOTED
  - FINISH: AS NOTED
  - ELECTRICAL:  
VOLTAGE: 500V PER IEC60664  
600V PER UL2237  
MAX THRU CURRENT: 32A  
MAX DROP CURRENT: 13A
  - TEMP RATING: -20° TO +90°C
  - PROTECTION: IP67 (WHEN MATED)
  - CERTIFICATION:  
UL LISTED/CSA CERTIFIED FILE NO: E258922
  - DIMS SHOWN ARE FOR REFERENCE UNLESS TOLERANCED OR NOTED OTHERWISE

13	WARNING LABEL (MC)	VINYL	BLACK/ORANGE
12	WARNING LABEL (TEE)	POLYESTER	BLACK/ORANGE
11	MC SOCKET CONTACT	COPPER ALLOY	GOLD PLATED
10	MC FEMALE INSERT	TPE	BLACK
9	MC COUPLING NUT	ZINC ALLOY	BLACK E-COAT
8	CABLE, 16AWG-3 TYPE TC-ER, STOOD	PVC	GRAY
7	QC SOCKET CONTACT	COPPER ALLOY	GOLD PLATED
6	QC FEMALE INSERT	TPE	BLACK
5	QC FEMALE COUPLING NUT	ALUMINUM	CLEAR ANODIZE
4	QC PIN CONTACT	COPPER ALLOY	GOLD PLATED
3	QC MALE INSERT	TPE	BLACK
2	QC MALE COUPLING NUT	ALUMINUM	CLEAR ANODIZE
1	OVERMOLD	TPE	GRAY
ITEM	DESCRIPTION	MATERIAL	FINISH

THIS DRAWING CONTAINS INFORMATION THAT IS PROPRIETARY TO MOLEX ELECTRONIC TECHNOLOGIES, LLC AND SHOULD NOT BE USED WITHOUT WRITTEN PERMISSION

FUNCTIONAL SYMBOLS	DIMENSION UNITS	SCALE	CURRENT REV DESC: INSERT AND O-MOLD CHANGED TO TPE, ADD NOTE 7, DIMS CHANGED TO IN/MM, ADD LENGTH TOLS
	INCH/MM	NTS	
DIVISIONAL SYMBOLS	GENERAL TOLERANCES (UNLESS SPECIFIED)		EC NO: 690918 DRWN: RSTONE CHK'D: MZIELINSKI APPR: BWOODMAN
	4 PLACES	±----	
	3 PLACES	±----	±----
	2 PLACES	±----	±----
	1 PLACE	±----	±----
	0 PLACES	±----	±----
	ANGULAR TOL ±	----	°
	DRAFT WHERE APPLICABLE MUST REMAIN WITHIN DIMENSIONS	THIRD ANGLE PROJECTION	DRAWING
			SERIES
			2010/01/15
			2010/01/20
			2022/01/05
			2022/01/27
			2022/02/02
			INITIAL REVISION:
			DRWN: KJOZWIK
			APPR: JFMURPHY
			2010/01/15
			2010/01/20
			2022/01/05
			2022/01/27
			2022/02/02

**molex**

BRAD POWER M35 3 POLE TEE  
WITH MINI-CHANGE 3 POLE 16AWG CABLE DROP

PRODUCT CUSTOMER DRAWING

DOCUMENT NUMBER	DOC TYPE/DOC PART	REVISION
SD-130068-013	PSD	001 C
MATERIAL NUMBER	CUSTOMER	SHEET NUMBER
SEE P/N CHART	GENERAL MARKET	1 OF 1