

6

5

4

3

2

1

E

E

D

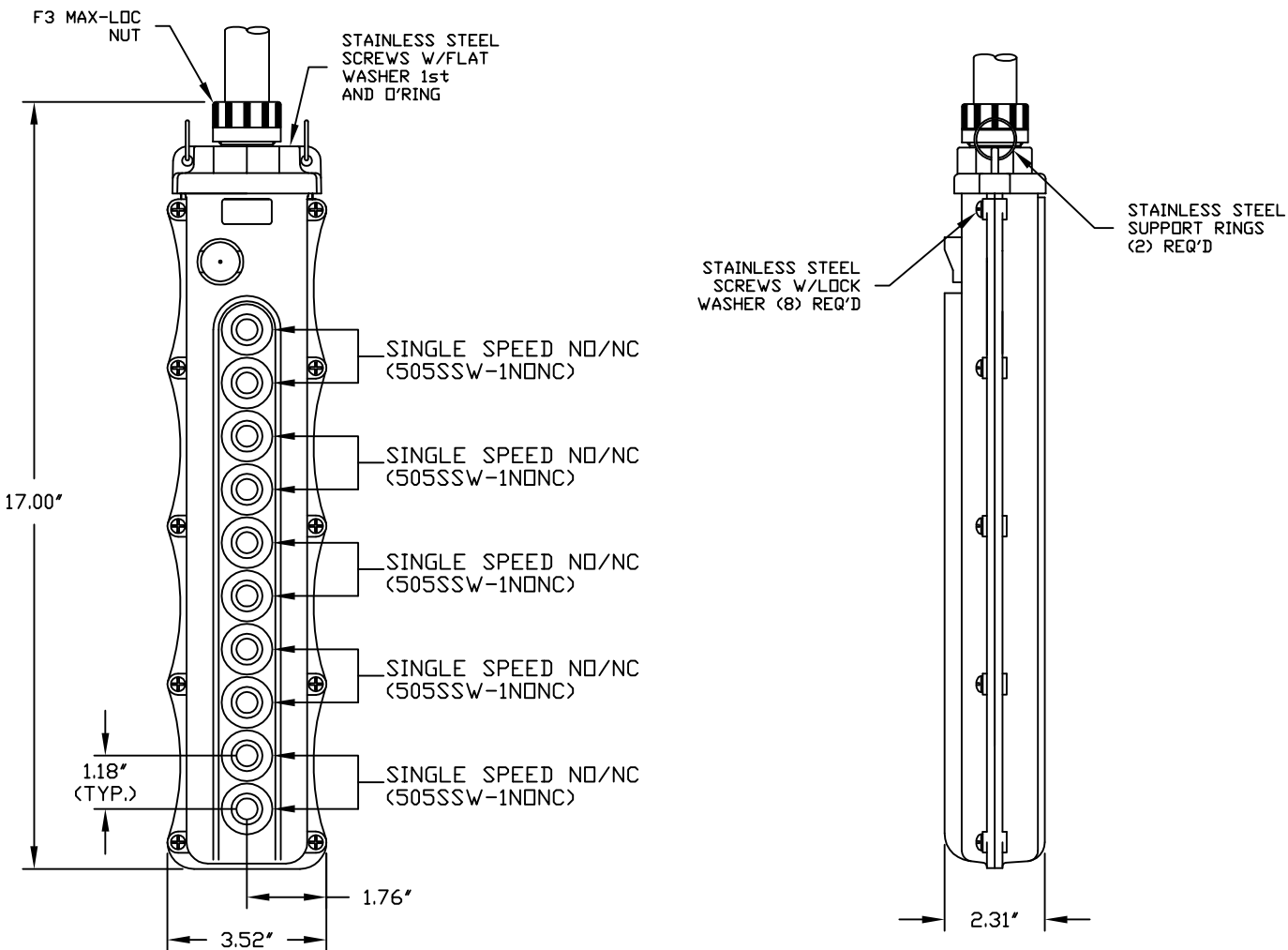
D

C

C

B

B



NOTES:  
 1. INSTALLATION INSTRUCTIONS, BUTTON ID. LABELS. ARE PACK WITH THE PART.  
 2. ALL BUTTONS ARE HIGH AMBIENT, CHEMICALLY RESISTANT MATERIAL - COLOR BLACK

RELEASE DRAWING  
 EC NO: WNA2009-0393  
 DRWN: TVICKERS 2008/12/15  
 CHKD: HK 2008/12/16  
 APPR: DTTIUS 2009/01/05  
 REV DESCRIPTION

QUALITY SYMBOLS  
 ▽=0  
 ∇=0

| GENERAL TOLERANCES (UNLESS SPECIFIED)                |       |       |
|--|-------|-------|
|  | mm    | INCH  |
| 4 PLACES   | ±---- | ±---- |
| 3 PLACES   | ±---- | ±.020 |
| 2 PLACES   | ±---- | ±.010 |
| 1 PLACE  | ±---- | ±.005 |
| ANGULAR ±5°  |       |       |
| DRAFT WHERE APPLICABLE MUST REMAIN WITHIN DIMENSIONS |       |       |

| DIMENSION STYLE |            |
|-----------------|------------|
| INCH            |            |
| DRAWN BY        | DATE       |
| TV              | 2008/12/16 |
| CHECKED BY      | DATE       |
| HK              | 2008/12/16 |
| APPROVED BY     | DATE       |
| DT              | 2008/12/16 |
| MATERIAL NO.    | 1301260302 |
| SIZE            | A          |

| SCALE   | DESIGN UNITS | THIRD ANGLE PROJECTION |
|---|--------------|------------------------|
| NTS   | INCH         | ☉                      |
| TITLE   |              |                        |
| 5060-1M<br>W/(5) 505SW-1N0NC  |              |                        |
| MOLEX INCORPORATED  |              |                        |
| DOCUMENT NO.  | SHEET NO.    |                        |
| SD-130126-019   | 1 OF 1       |                        |
| THIS DRAWING CONTAINS INFORMATION THAT IS PROPRIETARY TO MOLEX INCORPORATED AND SHOULD NOT BE USED WITHOUT WRITTEN PERMISSION |              |                        |

6

5

4

3

2

1

A

A