

Device connector, rear mounting - RC-0000000H000 - 1592833

Please be informed that the data shown in this PDF Document is generated from our Online Catalog. Please find the complete data in the user's documentation. Our General Terms of Use for Downloads are valid (<http://phoenixcontact.com/download>)



Device connector, rear mounting, straight, Screw locking, M23, Axial O-ring, Central fastening M25 x 1.5, shielded: yes, panel thickness min.: 0.8 mm, panel thickness max.: 6.5 mm



Key Commercial Data

Packing unit	24 pc
Minimum order quantity	24 pc
GTIN	
GTIN	4046356193016

Technical data

General

Type of locking	Screw locking
Pg housing screw connection	none
Mounting type	Central fastening M25 x 1.5

Ambient conditions

Ambient temperature	-20 °C ... 125 °C
Degree of protection	IP67

Material

Housing material	Turned parts: copper zinc alloy (CuZn), die-cast parts: zinc (GD-Zn)
Gasket and O-ring material	FPM

Specifications according to DIN EN 61984:2001

Installation height max.	2000 m
--------------------------	--------

Environmental Product Compliance

	Lead 7439-92-1
China RoHS	Environmentally Friendly Use Period = 50

Device connector, rear mounting - RC-0000000H000 - 1592833

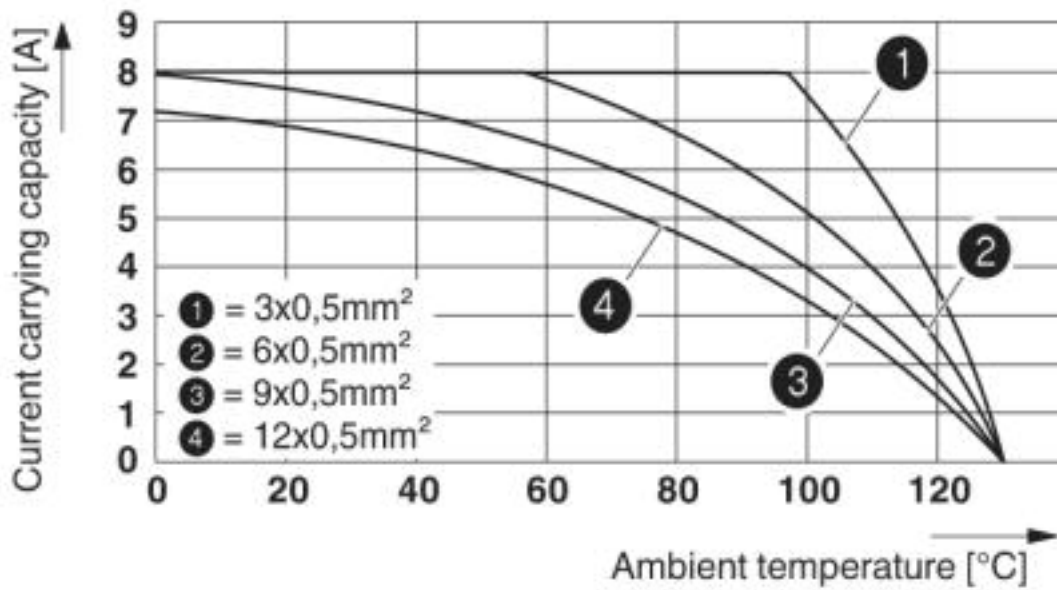
Technical data

Environmental Product Compliance

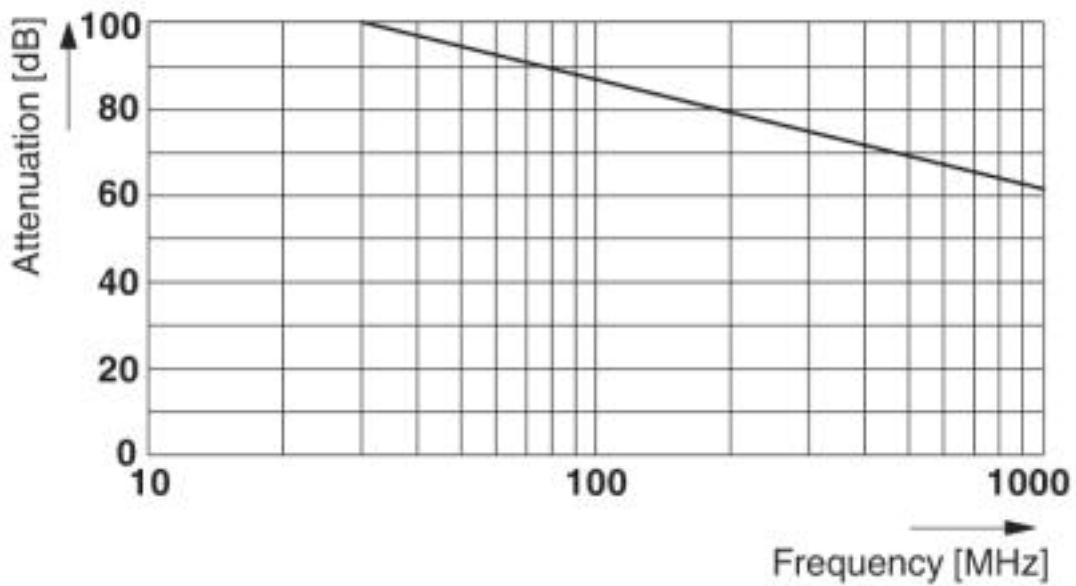
	For details about hazardous substances go to tab "Downloads", Category "Manufacturer's declaration"
--	---

Drawings

Diagram

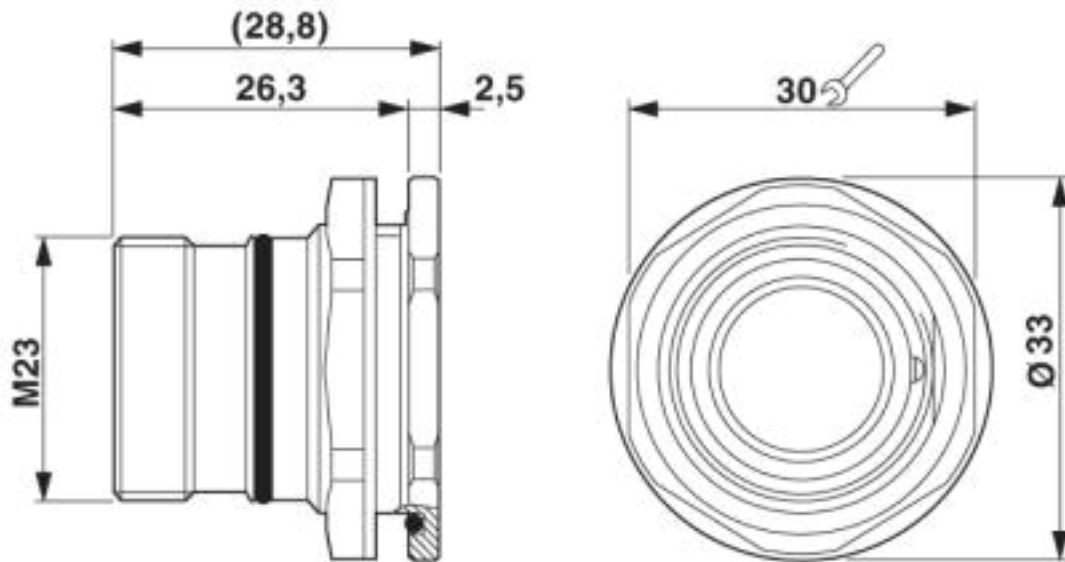


Diagram



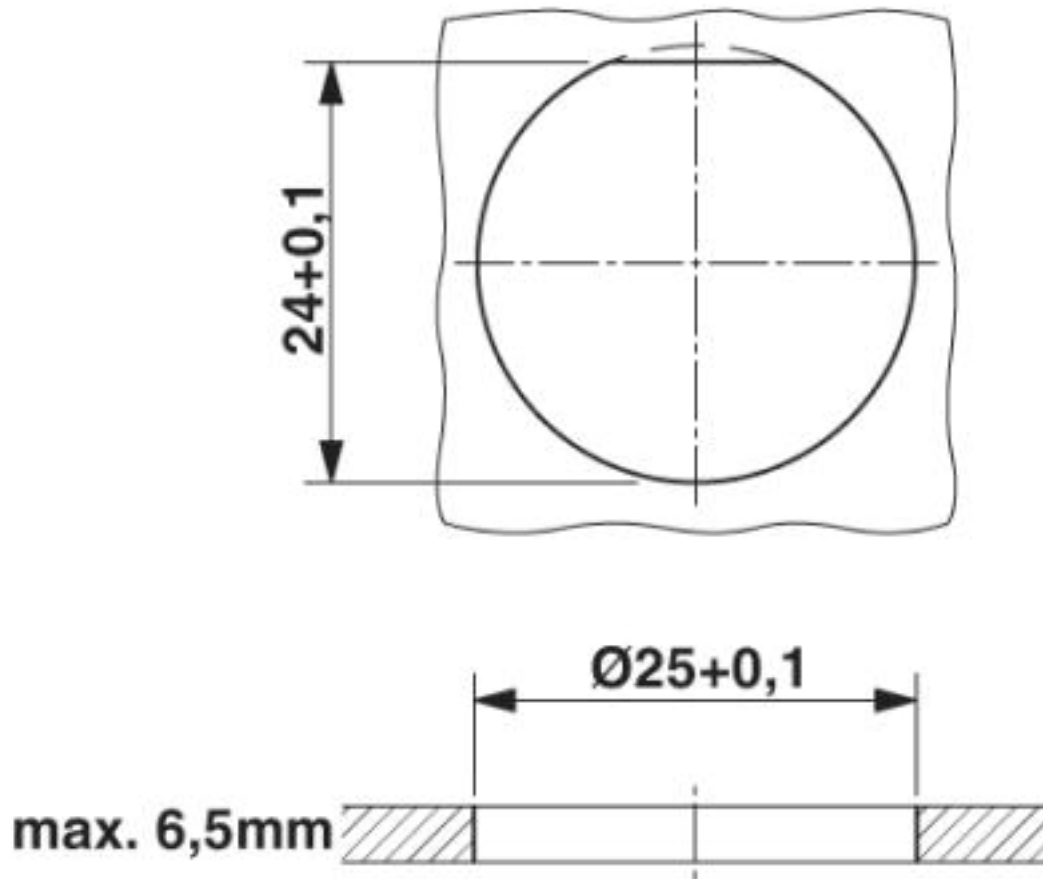
Device connector, rear mounting - RC-0000000H000 - 1592833

Dimensional drawing



Device connector, rear mounting - RC-0000000H000 - 1592833

Dimensional drawing



Installation dimensions

Approvals

Approvals

Approvals

EAC

Ex Approvals

Approval details

EAC

B.01742

Phoenix Contact 2019 © - all rights reserved
<http://www.phoenixcontact.com>

PHOENIX CONTACT GmbH & Co. KG
Flachsmarktstr. 8
32825 Blomberg
Germany
Tel. +49 5235 300
Fax +49 5235 3 41200
<http://www.phoenixcontact.com>