

DAUGHTERCARD HOLE PATTERN (CONNECTOR SIDE)

- NOTES:
1. MATERIALS: HOUSING - LIQUID CRYSTAL POLYMER (LCP), GLASS-FILLED, UL94V-0  
TERMINALS - HIGH PERFORMANCE COPPER ALLOY
  2. FINISH: 30μIN MIN GOLD IN CONTACT AREA, SELECTIVE TIN  
ON PCB TAILS, NICKEL OVERALL.
  3. REFER TO MOLEX PRODUCT SPEC PS-170540-999 FOR PERFORMANCE SPECIFICATIONS  
AND ADDITIONAL PCB INFORMATION.
  4. EACH SIGNAL WAFER CONTAINS 2 COLUMNS OF TERMINALS.
  5. PRODUCT IS PACKAGED PER PK-70873-589.
  6. THIS PART CONFORMS TO CLASS B REQUIREMENTS OF COSMETIC SPEC PS-45499-002.
  7. REFER TO MOLEX SALES DRAWING SD-170535-0002 AND RSD-170532-XXXX FOR THE  
MATING HEADERS.
  8. REFER TO MOLEX ROUTING GUIDE AS-76060-990 FOR ANTIPAD AND ROUTING  
RECOMMENDATIONS.
  9. GROUND PATHS ARE NOT DISCRETE CIRCUITS WITHIN CONNECTOR DUE TO PRESENCE  
OF PLUS CLIP.
  10. PART NUMBER 170540-3720 SHOWN ON DRAWING. KEYING FEATURES WILL CHANGE  
WITH COLUMN SIZE.
  11. MINIMUM BOARD THICKNESS IS 1.0 mm FOR COMPLIANT PIN FUNCTIONALITY.
  12. WHEN USING MOLEX SUPPLIED #2-32 SCREW 73726-0000 (9.50 NOMINAL  
THREADABLE SCREW LENGTH), THE MAXIMUM BOARD THICKNESS IS 4.4 mm.
  13. MARKING: LOCATED APPROXIMATELY AS SHOWN, PART NUMBER, DATE CODE, AND SERIAL NUMBER.

SYMBOLS				THIS DRAWING CONTAINS INFORMATION THAT IS PROPRIETARY TO MOLEX ELECTRONIC TECHNOLOGIES, LLC AND SHOULD NOT BE USED WITHOUT WRITTEN PERMISSION			
DIMENSION UNITS		SCALE		CURRENT REV DESC:			
mm		4:1		EC NO: 611164			
GENERAL TOLERANCES (UNLESS SPECIFIED)				DRWN: DMORGAN 2019/01/28			
ANGULAR TOL ± 0.5°				CHK'D: TELO 2019/01/29			
4 PLACES ±				APPR: TELO 2019/01/29			
3 PLACES ±				INITIAL REVISION:			
2 PLACES ± 0.13				DRWN: JLAURX 2010/09/29			
1 PLACE ± 0.25				APPR: JLAURX 2010/10/19			
0 PLACES ±				THIRD ANGLE PROJECTION			
DRAFT WHERE APPLICABLE MUST REMAIN WITHIN DIMENSIONS				DRAWING SERIES			
				C-SIZE 170540			
DOCUMENT STATUS				MATERIAL NUMBER			
P1				SD-170540-0002			
RELEASE DATE				DOC TYPE			
2019/01/29 02:36:16				PSD			
				DOC PART			
				001			
				REVISION			
				C2			
				CUSTOMER			
				GENERAL MARKET			
				SHEET NUMBER			
				1 OF 2			

MATERIAL NUMBER	# OF COLUMNS	# OF DIFF PAIR	DIM "A" MAX	DIM "B"	PTH $\phi$
170540-3*08	8	48	22.80	13.30	0.46 ±0.05
170540-3*10	10	60	26.60	17.10	
170540-3*16	16	96	38.00	28.50	
170540-3*38	8	48	22.80	13.30	0.39 ±0.05
170540-3*20	10	60	26.60	17.10	
170540-3*24	14	84	34.20	24.70	
170540-3*26	16	96	38.00	28.50	

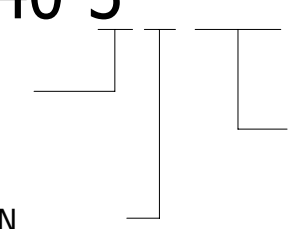
170540-3\*\*\*


MODULE & TAIL PLATING TYPE  
3 = LEFT GUIDED, LEAD-FREE

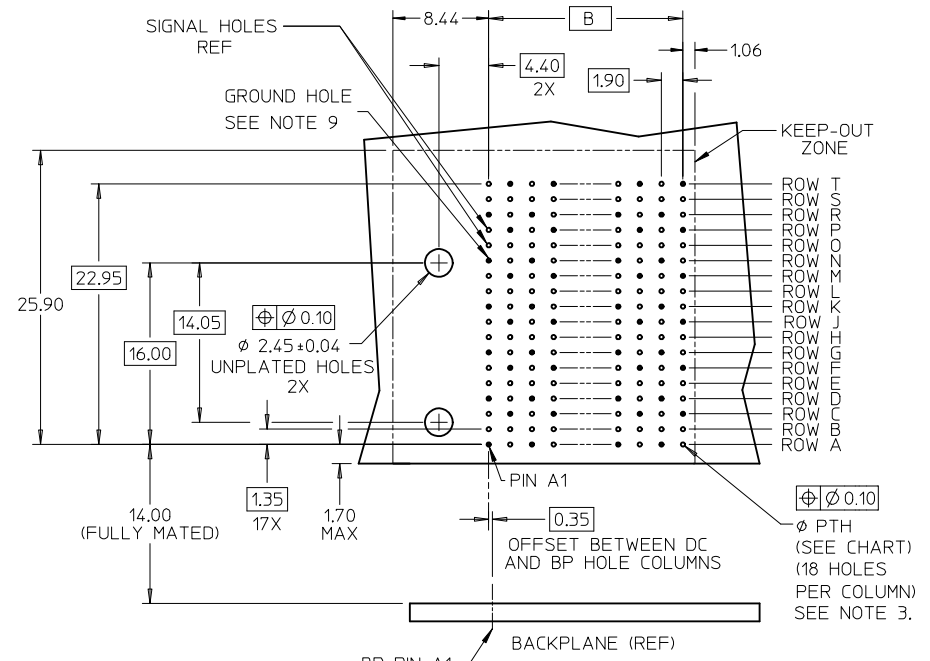
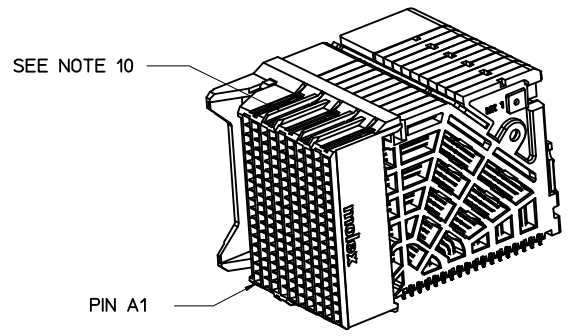
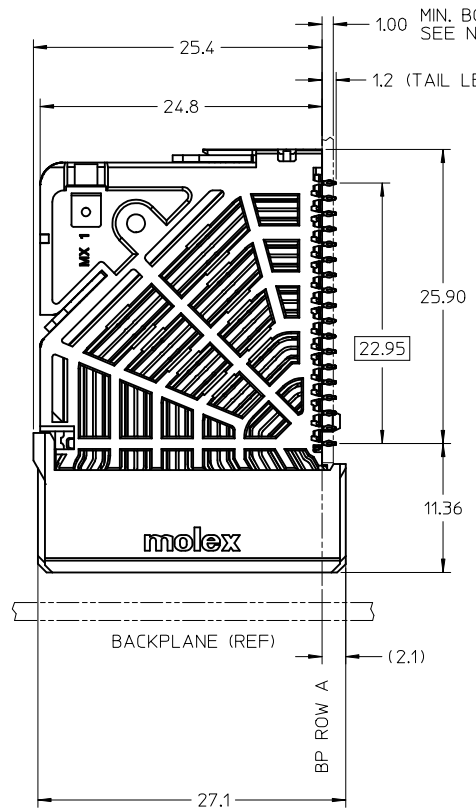
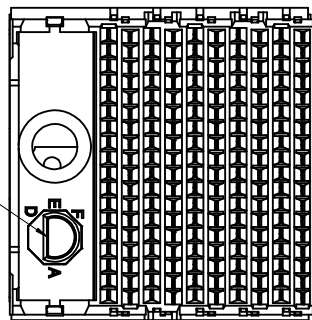
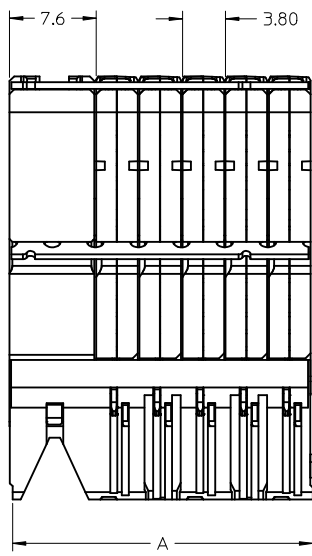
POLARIZATION KEY ORIENTATION

- 0 = NO KEY
- 1 = A      5 = E
- 2 = B      6 = F
- 3 = C      7 = G
- 4 = D      8 = H

- # OF COLUMNS
- 08 = 8 COL 0.46 PTH
  - 10 = 10 COL 0.46 PTH
  - 16 = 16 COL 0.46 PTH
  - 20 = 10 COL 0.39 PTH
  - 24 = 14 COL 0.39 PTH
  - 26 = 16 COL 0.39 PTH
  - 38 = 08 COL 0.39 PTH



SYMBOLS										THIS DRAWING CONTAINS INFORMATION THAT IS PROPRIETARY TO MOLEX ELECTRONIC TECHNOLOGIES, LLC AND SHOULD NOT BE USED WITHOUT WRITTEN PERMISSION									
DIMENSION UNITS					SCALE					CURRENT REV DESC:					 IMPACT 6 PAIR PLUS 85OHM DAUGHTERCARD SIGNAL GUIDE LEFT SALES DWG PRODUCT CUSTOMER DRAWING				
mm					1:1					EC NO: 611164 DRWN: DMORGAN 2019/01/28 CHK'D: TELO 2019/01/29 APPR: TELO 2019/01/29									
GENERAL TOLERANCES (UNLESS SPECIFIED)					ANGULAR TOL ± 0.5°					INITIAL REVISION:					DOCUMENT NUMBER				
4 PLACES ±					2 PLACES ± 0.13					DRWN: JLAURX 2010/09/29					SD-170540-0002				
3 PLACES ±					1 PLACE ± 0.25					APPR: JLAURX 2010/10/19					DOC TYPE PSD				
2 PLACES ±					0 PLACES ±					THIRD ANGLE PROJECTION					DOC PART 001				
1 PLACE ±					DRAFT WHERE APPLICABLE MUST REMAIN WITHIN DIMENSIONS					DRAWING C-SIZE					REVISION C2				
0 PLACES ±					SERIES 170540					MATERIAL NUMBER					CUSTOMER GENERAL MARKET				
DRAFT WHERE APPLICABLE MUST REMAIN WITHIN DIMENSIONS					SHEET NUMBER 2 OF 2														



- NOTES:
1. MATERIALS: HOUSING - LIQUID CRYSTAL POLYMER (LCP), GLASS-FILLED, UL94V-0  
TERMINALS - HIGH PERFORMANCE COPPER ALLOY
  2. FINISH: 10µN MIN GOLD IN CONTACT AREA, SELECTIVE TIN  
ON PCB TAILS, NICKEL OVERALL.
  3. REFER TO MOLEX PRODUCT SPEC PS-170540-999 FOR PERFORMANCE SPECIFICATIONS  
AND ADDITIONAL PCB INFORMATION.
  4. EACH SIGNAL WAFER CONTAINS 2 COLUMNS OF TERMINALS.
  5. PRODUCT IS PACKAGED PER PK-70873-589.
  6. THIS PART CONFORMS TO CLASS B REQUIREMENTS OF COSMETIC SPEC PS-45499-002.
  7. REFER TO MOLEX SALES DRAWING SD-170535-0002 AND RSD-170532-XXXX FOR THE  
MATING HEADERS.
  8. REFER TO MOLEX ROUTING GUIDE AS-76060-990 FOR ANTIPAD AND ROUTING  
RECOMMENDATIONS.
  9. GROUND PATHS ARE NOT DISCRETE CIRCUITS WITHIN CONNECTOR DUE TO PRESENCE  
OF PLUS CLIP.
  10. PART NUMBER 170540-3720 SHOWN ON DRAWING. KEYING FEATURES WILL CHANGE  
WITH COLUMN SIZE.
  11. MINIMUM BOARD THICKNESS IS 1.0 mm FOR COMPLIANT PIN FUNCTIONALITY.
  12. WHEN USING MOLEX SUPPLIED #2-32 SCREW 73726-0000 (9.50 NOMINAL  
THREADABLE SCREW LENGTH), THE MAXIMUM BOARD THICKNESS IS 4.4 mm.

DAUGHTERCARD HOLE PATTERN (CONNECTOR SIDE)

INITIAL CREATION MAPS PLATING EC NO: UCP2015-3240 DRW:MKRAUSE 2015/02/09 CHKD: TELO APPR:TELO 2015/03/02	QUALITY SYMBOLS	GENERAL TOLERANCES (UNLESS SPECIFIED)	DIMENSION STYLE MM ONLY	SCALE 3:1	DESIGN UNITS METRIC	THIRD ANGLE PROJECTION
	▽=0	mm INCH	DRAWN BY DATE MKRAUSE 2015/02/09	TITLE IMPACT 6 PAIR PLUS 850HM DC SIGNAL MAPS GUIDE LEFT SALES DWG		SHEET NO. 1 OF 2
	▽=0	4 PLACES ± --- ± --- 3 PLACES ± --- ± --- 2 PLACES ± 0.13 ± --- 1 PLACE ± 0.25 ± --- 0 PLACE ± ±	CHECKED BY DATE	APPROVED BY DATE TELO 2015/03/02		
	▽=0	ANGULAR ±1/2°	MATERIAL NO. SEE CHART	DOCUMENT NO. SD-173120-0002		
A	DESCRIPTION	DRAFT WHERE APPLICABLE MUST REMAIN WITHIN DIMENSIONS	SIZE C	THIS DRAWING CONTAINS INFORMATION THAT IS PROPRIETARY TO MOLEX INCORPORATED AND SHOULD NOT BE USED WITHOUT WRITTEN PERMISSION		

MATERIAL NUMBER	# OF COLUMNS	# OF DIFF PAIR	DIM "A" MAX	DIM "B"	PTH $\phi$
173120-3*08	8	48	22.80	13.30	0.46 $\pm 0.05$
173120-3*10	10	60	26.60	17.10	
173120-3*16	16	96	38.00	28.50	
173120-3*38	8	48	22.80	13.30	0.39 $\pm 0.05$
173120-3*20	10	60	26.60	17.10	
173120-3*26	16	96	38.00	28.50	

173120-3\*\*\*

MODULE & TAIL PLATING TYPE  
3 = LEFT GUIDED, LEAD-FREE

POLARIZATION KEY ORIENTATION

- 0 = NO KEY
- 1 = A
- 2 = B
- 3 = C
- 4 = D
- 5 = E
- 6 = F
- 7 = G
- 8 = H

- # OF COLUMNS
- 08 = 8 COL 0.46 PTH
  - 10 = 10 COL 0.46 PTH
  - 16 = 16 COL 0.46 PTH
  - 20 = 10 COL 0.39 PTH
  - 26 = 16 COL 0.39 PTH
  - 38 = 08 COL 0.39 PTH

SEE SHEET 1 EC NO: UCP2015-3240 DRAWN: MKRAUSE 2015/02/09 CHKD: APPR: TELO 2015/03/02	QUALITY SYMBOLS	GENERAL TOLERANCES (UNLESS SPECIFIED)	DIMENSION STYLE <b>MM ONLY</b>	SCALE <b>3:1</b>	DESIGN UNITS <b>METRIC</b>	THIRD ANGLE PROJECTION
	$\nabla = 0$	4 PLACES $\pm$ --- $\pm$ ---	mm INCH	DRAWN BY MKRAUSE	DATE 2015/02/09	TITLE <b>IMPACT 6 PAIR PLUS 850HM DC SIGNAL MAPS GUIDE LEFT SALES DWG</b>
	$\nabla = 0$	3 PLACES $\pm$ --- $\pm$ ---		CHECKED BY	DATE	
	$\nabla = 0$	2 PLACES $\pm 0.13$ $\pm$ ---		APPROVED BY TELO	DATE 2015/03/02	DOCUMENT NO. <b>SD-173120-0002</b>
	1 PLACE $\pm 0.25$ $\pm$ ---		MATERIAL NO. <b>SEE CHART</b>		SHEET NO. 2 OF 2	
		0 PLACE $\pm$ $\pm$ ---		ANGULAR $\pm 1/2^\circ$		
			DRAFT WHERE APPLICABLE MUST REMAIN WITHIN DIMENSIONS		THIS DRAWING CONTAINS INFORMATION THAT IS PROPRIETARY TO MOLEX INCORPORATED AND SHOULD NOT BE USED WITHOUT WRITTEN PERMISSION	