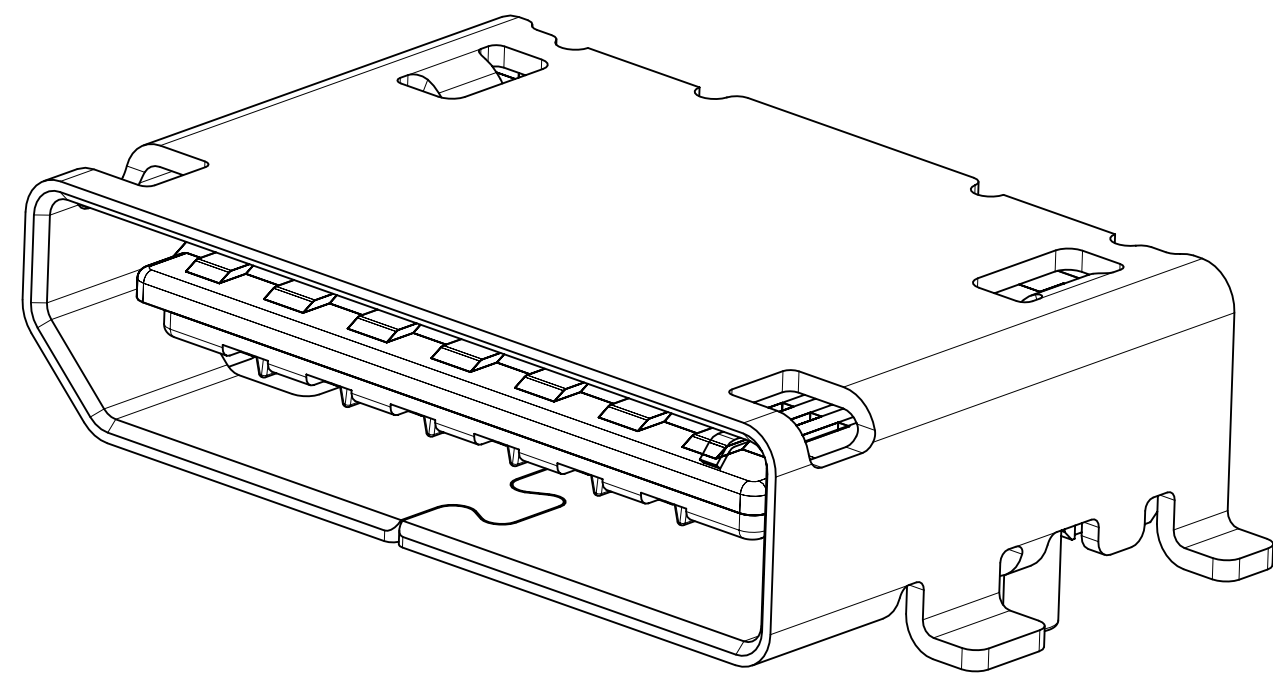
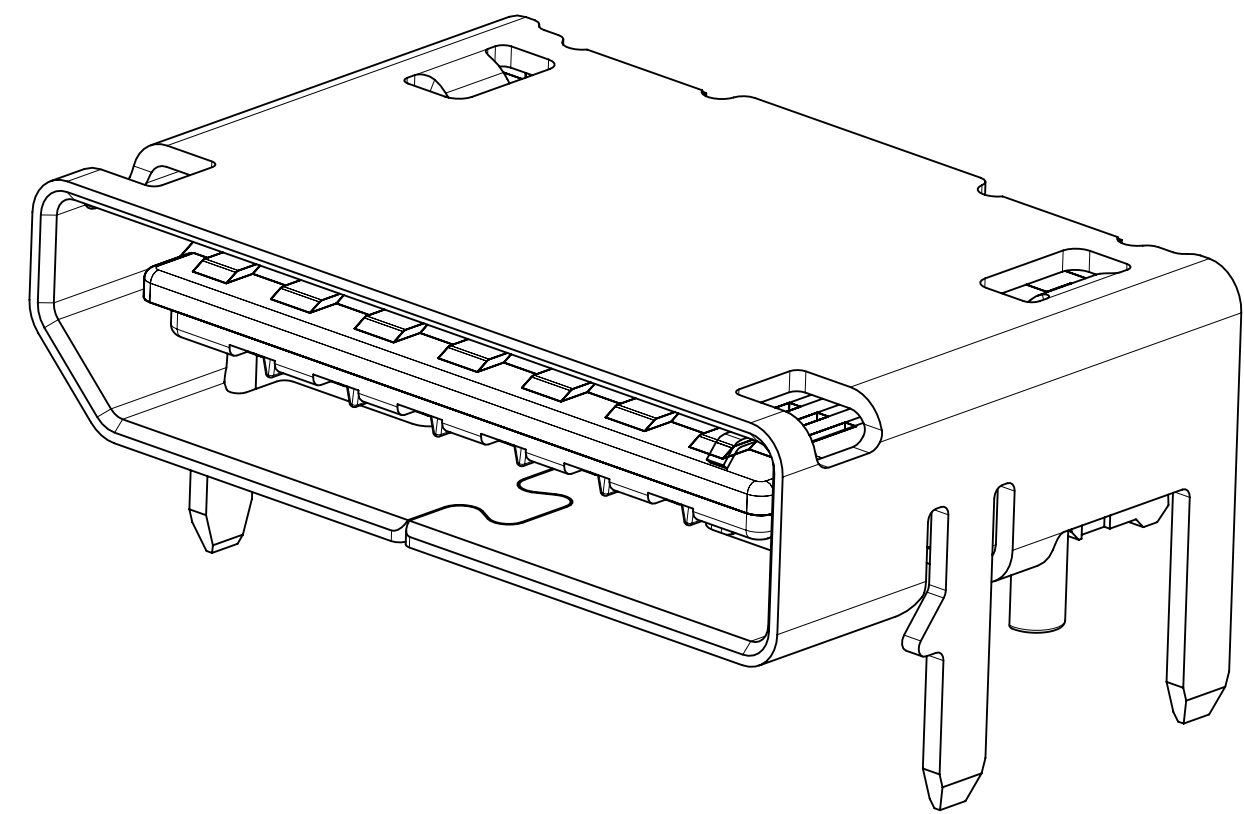


# 42 CIRCUIT SMT SHELL



# 42 CIRCUIT THRU HOLE SHELL



**NOTES:**

- MATERIALS:**  
HOUSING - LCP, GLASS FILLER THERMOPLASTIC, 94V-0  
CONTACTS - HIGH PERFORMANCE COPPER ALLOY  
SHIELD - STAINLESS STEEL
- FINISH:**  
CONTACTS - 0.76µm MIN. GOLD MATING SIDE  
0.05µm GOLD FLASH ON SOLDER TAILS  
1.27µm MIN. NICKEL UNDERPLATE OVERALL  
  
SHIELD - MATTE TIN OVER 1.27µm MIN. NICKEL
- PRODUCT SPECIFICATION:** PS-173162-0001
- PACKAGING SPECIFICATION:** PK-173307-0001
- MATES WITH:** MOLEX CABLE SERIES 100436  
PER INDUSTRY STANDARD PCIe OCuLink OR SFF-8612
- APPLICATION SPECIFICATION:** AS-173162-0001
- COSMETIC SPECIFICATION:** PS-45499-002 CALASS B

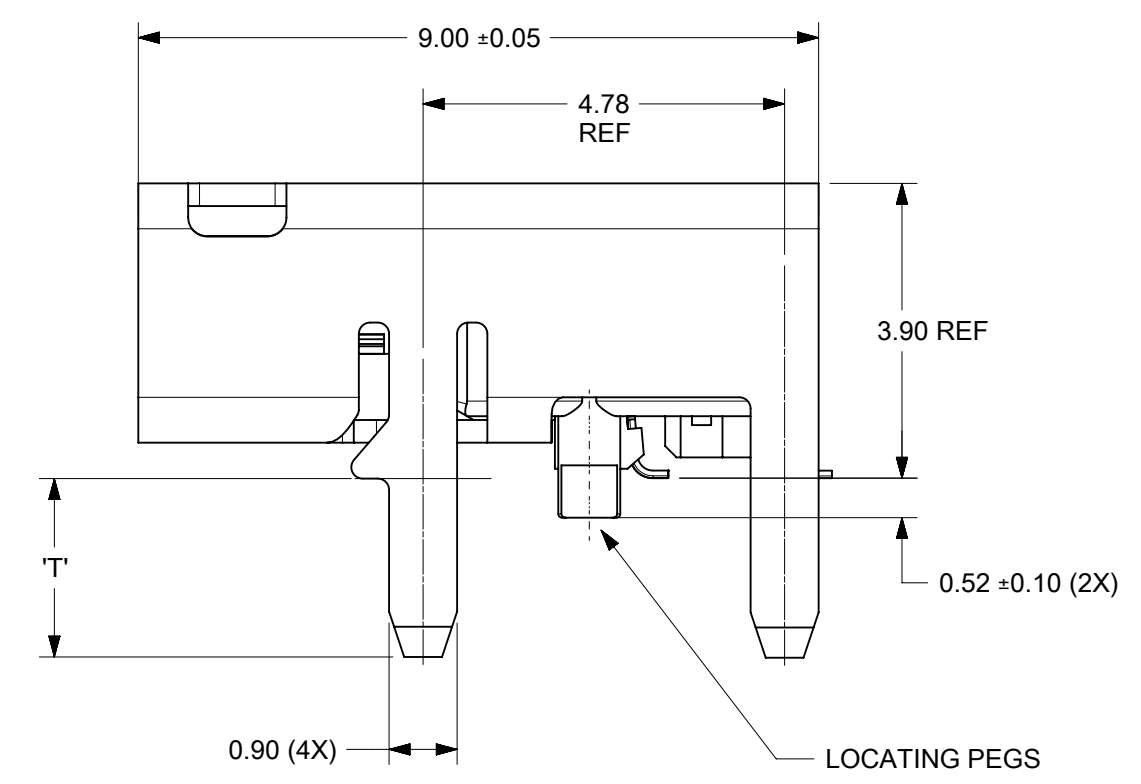
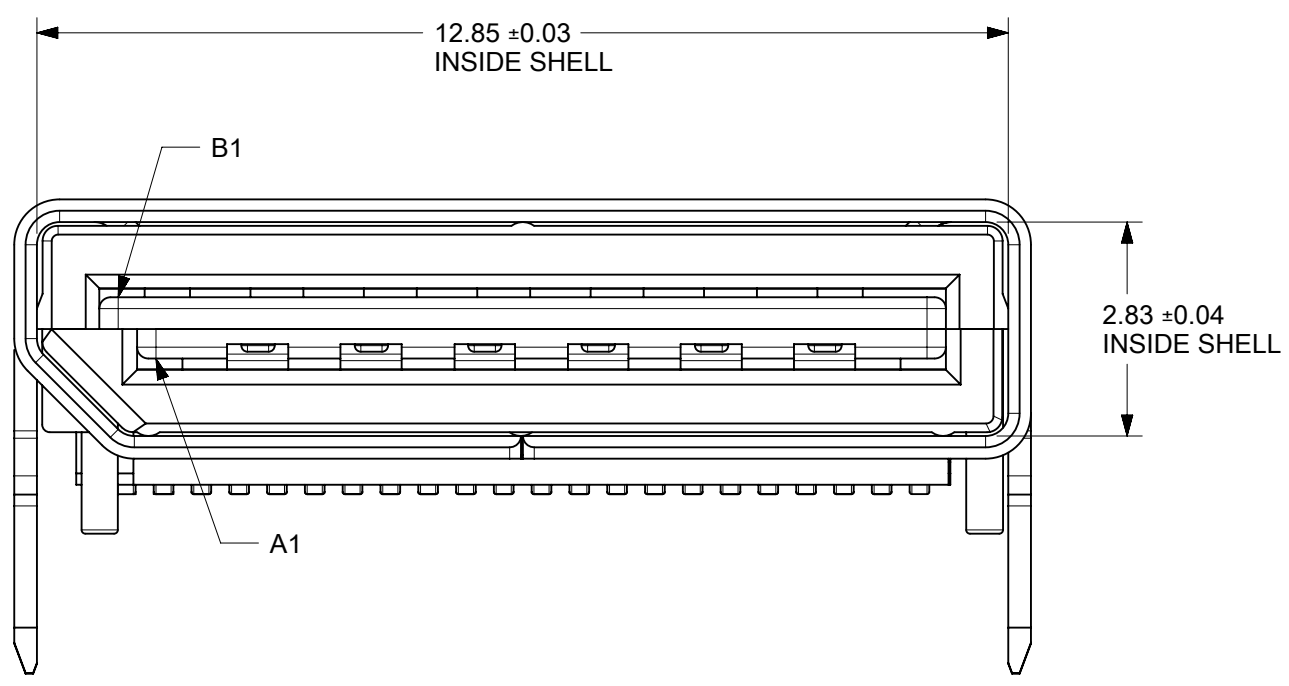
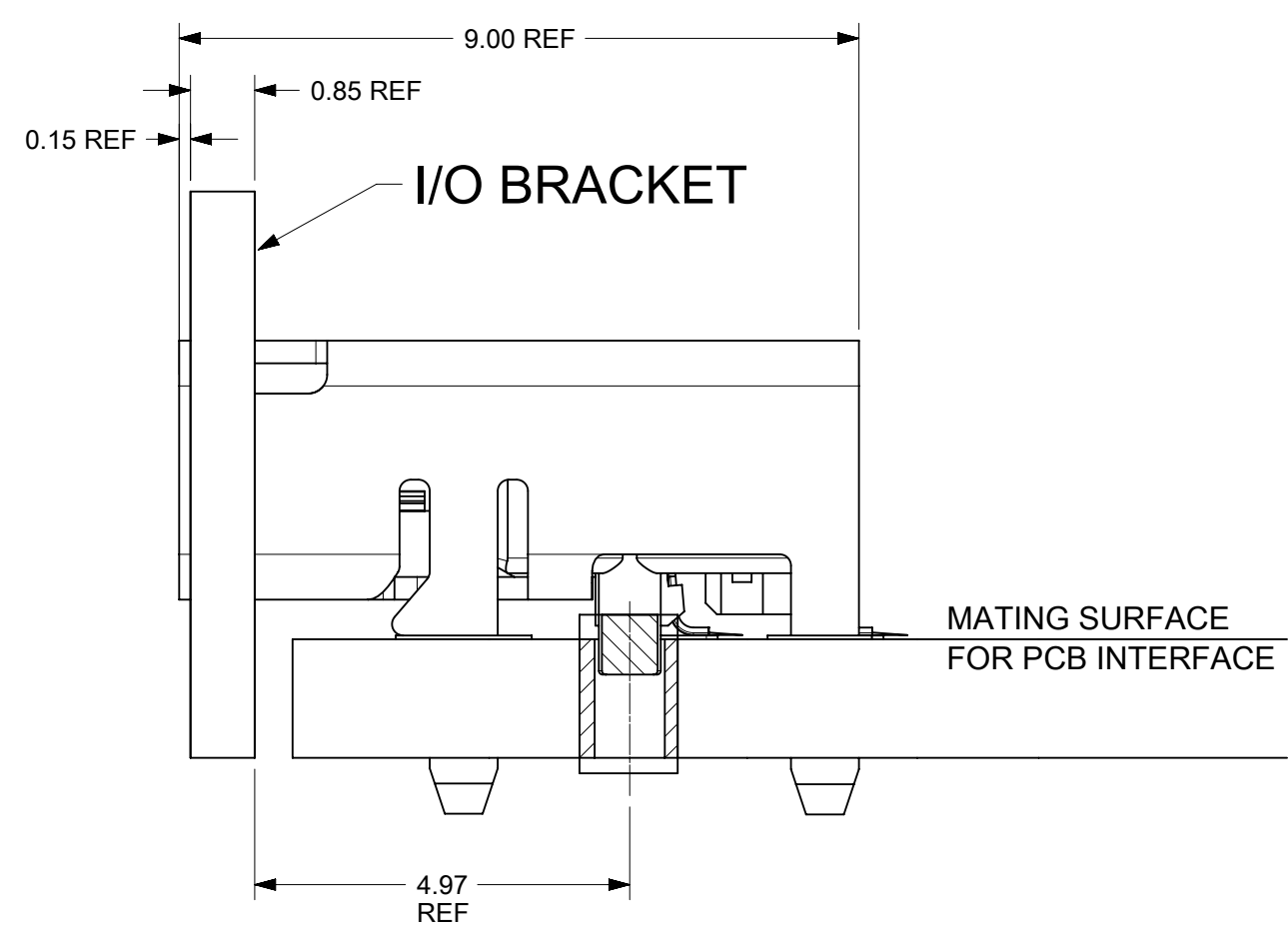
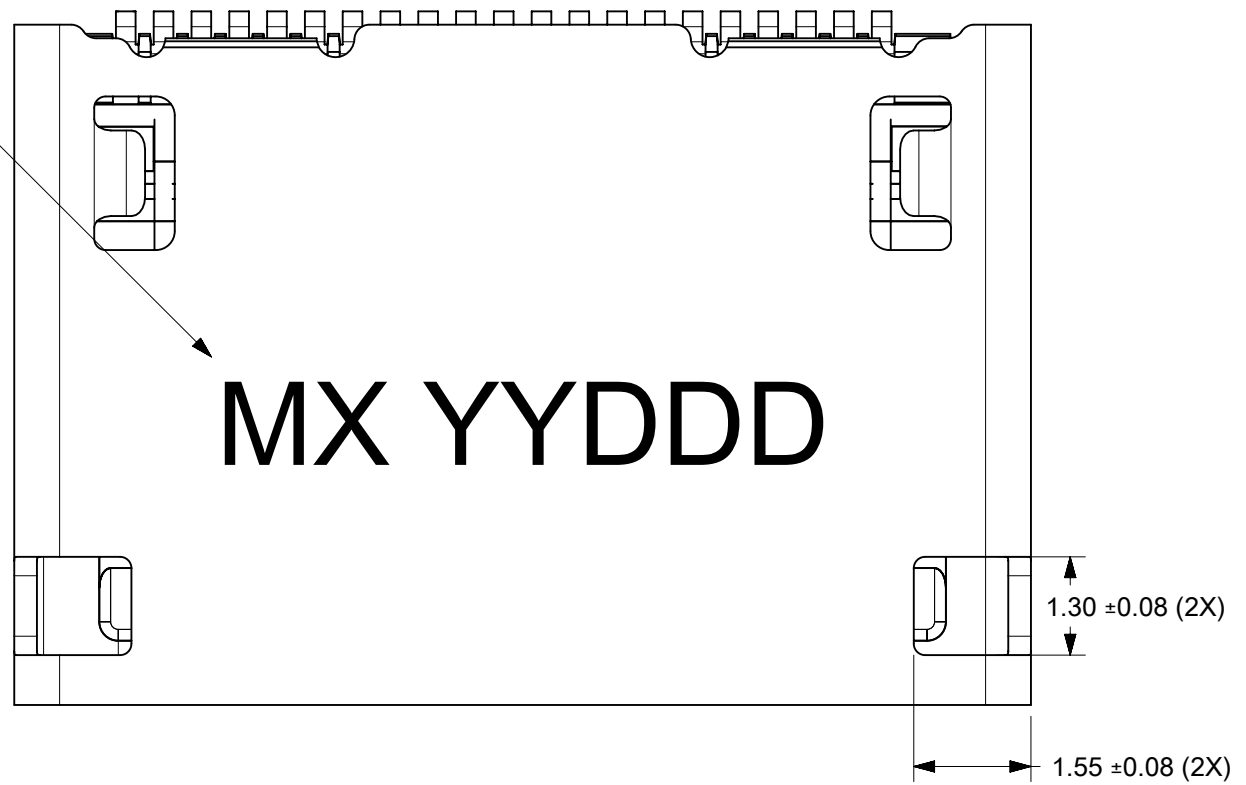
STATUS	MATERIAL NUMBER	SHELL ATTACH OPTION	DIM 'T'
TOOLED	171982-0142	SMT	-
TOOLED	171982-1142	TH	3
TOOLED	171982-2142	TH	2.36
TOOLED	171982-3142	TH	1.57

<b>FUNCTIONAL SYMBOLS</b> $\nabla_A = 0$ $\nabla_C = 0$ $\nabla_P = 0$ <b>DIVISIONAL SYMBOLS</b>	THIS DRAWING CONTAINS INFORMATION THAT IS PROPRIETARY TO MOLEX ELECTRONIC TECHNOLOGIES, LLC AND SHOULD NOT BE USED WITHOUT WRITTEN PERMISSION			
	<b>DIMENSION UNITS</b> mm <b>SCALE</b> 10:1	CURRENT REV DESC:		
	<b>GENERAL TOLERANCES (UNLESS SPECIFIED)</b> ANGULAR TOL ± 0.5° 4 PLACES ± 3 PLACES ± 2 PLACES ± 0.13 1 PLACE ± 0.25 0 PLACES ±	EC NO: 701025 DRWN: ABELD2 2022/03/25 CHK'D: JKACHLIC 2022/03/31 APPR: JKACHLIC 2022/03/31	NANO-PITCH I/O RIGHT ANGLE 4X	
	DRAFT WHERE APPLICABLE MUST REMAIN WITHIN DIMENSIONS	THIRD ANGLE PROJECTION 	DRAWING C-SIZE SERIES 171982	PRODUCT CUSTOMER DRAWING DOCUMENT NUMBER SD-171982-1000 MATERIAL NUMBER CUSTOMER GENERAL MARKET
		INITIAL REVISION: DRWN: MJANTELEZIO 2015/10/21 APPR: MBANAKIS 2015/11/09	DOC TYPE PSD DOC PART 001 REVISION J3	SHEET NUMBER 1 OF 6

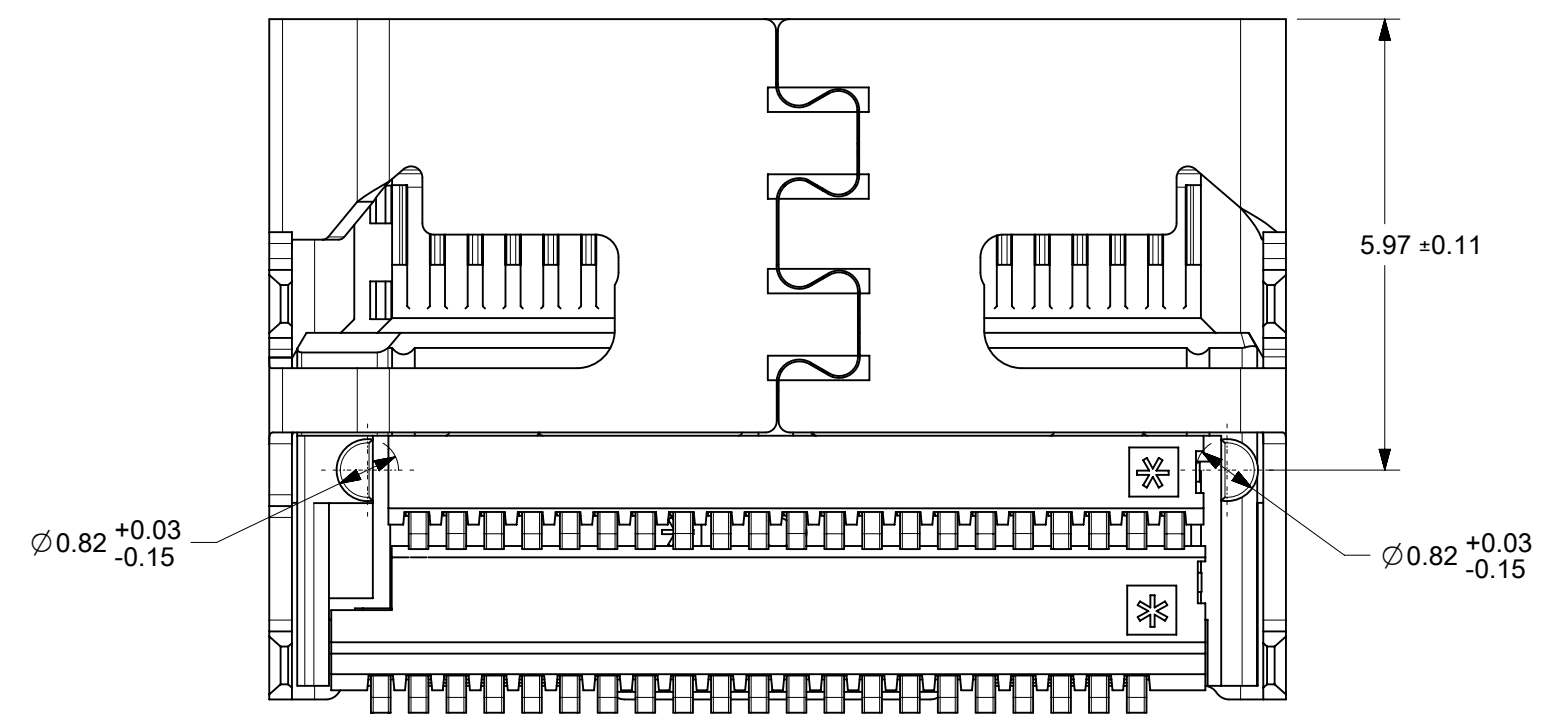
# 42 CIRCUIT TH ASSEMBLY

**EXTERNAL**

SEE NOTE #1

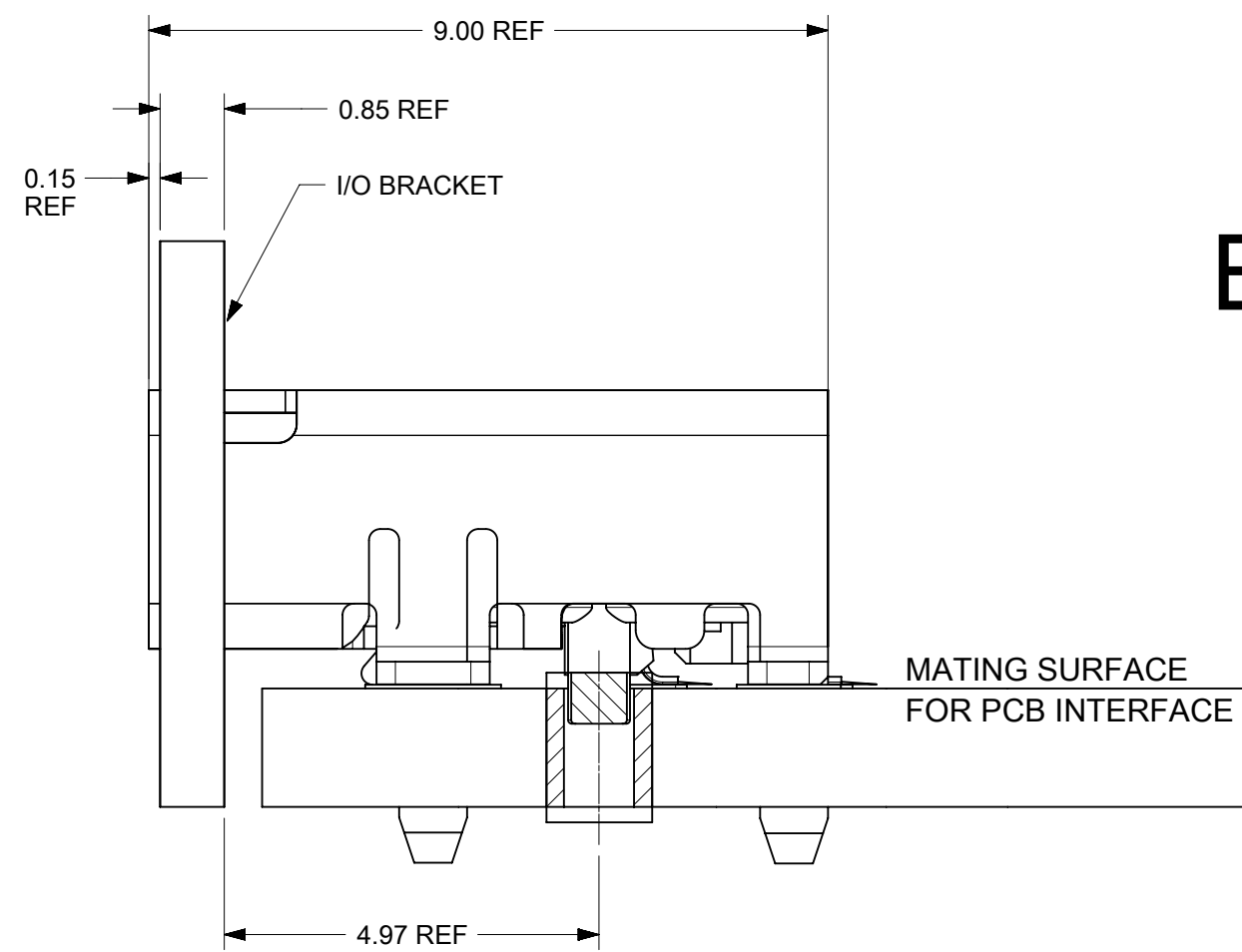
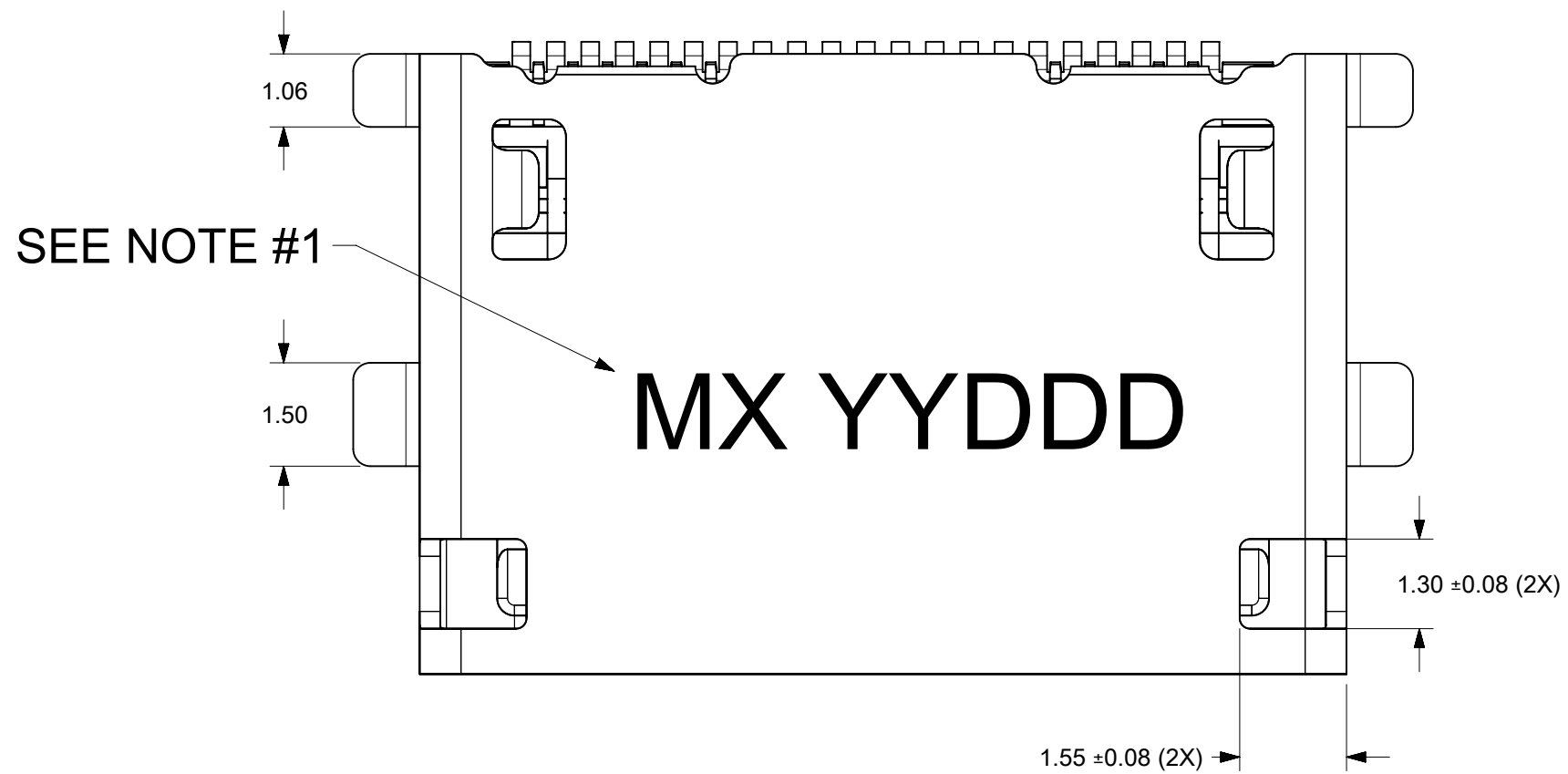


- NOTES:**
- MANUFACTURED DATE CODE (JULIAN CALENDAR) MX YYDDD
    - DAY OF THE YEAR
    - LAST TWO DIGITS OF THE YEAR
    - MOLEX
  - SOLDER TAIL COPLANARITY 0.10 MAX

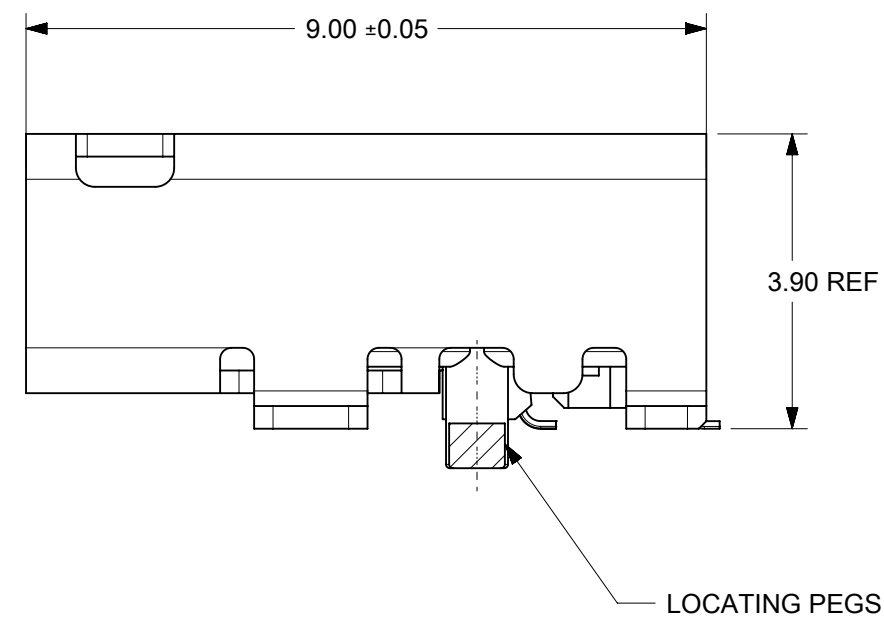
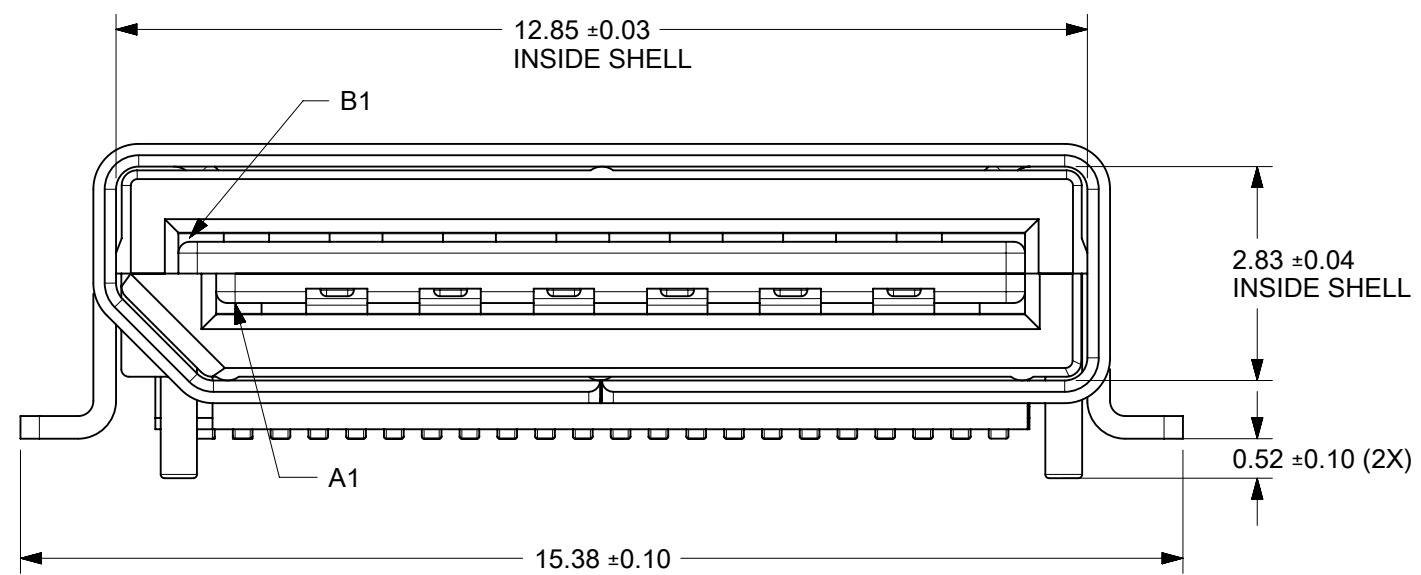


FUNCTIONAL SYMBOLS	THIS DRAWING CONTAINS INFORMATION THAT IS PROPRIETARY TO MOLEX ELECTRONIC TECHNOLOGIES, LLC AND SHOULD NOT BE USED WITHOUT WRITTEN PERMISSION		CURRENT REV DESC:		<b>molex</b>
	DIMENSION UNITS	SCALE			
FA = 0	mm	10:1			NANO-PITCH I/O RIGHT ANGLE 4X
EA = 0	GENERAL TOLERANCES (UNLESS SPECIFIED)				
EP = 0	ANGULAR TOL ± 0.5°				PRODUCT CUSTOMER DRAWING
DIVISIONAL SYMBOLS					
4 PLACES ±		EC NO: 701025		DOCUMENT NUMBER	
3 PLACES ±		DRWN: ABELD2		2022/03/25	
2 PLACES ± 0.13		CHK'D: JKACHLIC		2022/03/31	
1 PLACE ± 0.25		APPR: JKACHLIC		2022/03/31	
0 PLACES ±		INITIAL REVISION:		DOC TYPE   DOC PART   REVISION	
DRAFT WHERE APPLICABLE MUST REMAIN WITHIN DIMENSIONS		DRWN: MJANTELEZIO		SD-171982-1000	
THIRD ANGLE PROJECTION		APPR: MBANAKIS		PSD 001 J3	
DRAWING		SERIES		MATERIAL NUMBER	
C-SIZE		171982		CUSTOMER	
				GENERAL MARKET	
				SHEET NUMBER	
				2 OF 6	

# 42 CIRCUIT SMT ASSEMBLY



**EXTERNAL**



**NOTES:**

1. MANUFACTURED DATE CODE (JULIAN CALENDAR)

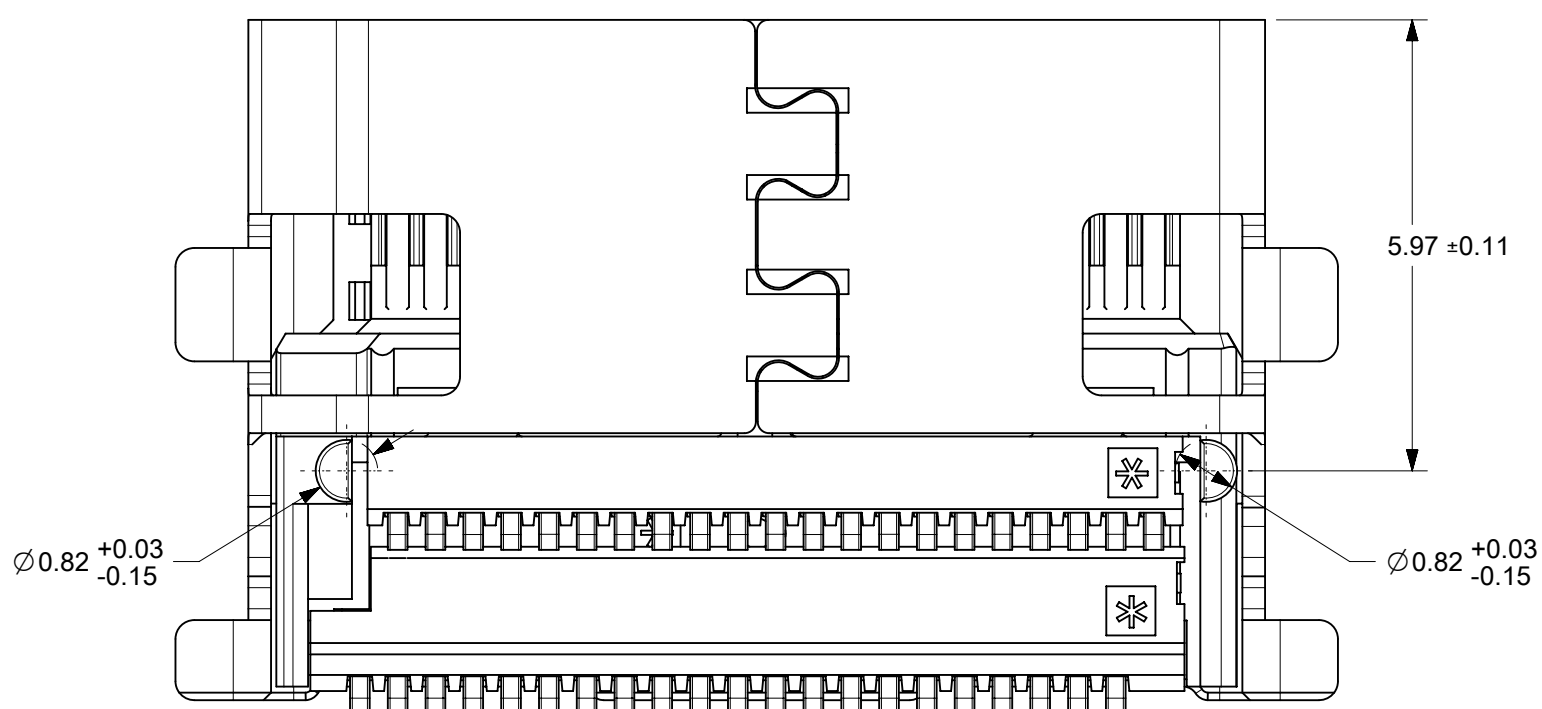
**MX YYDDD**

DAY OF THE YEAR

LAST TWO DIGITS OF THE YEAR

MOLEX

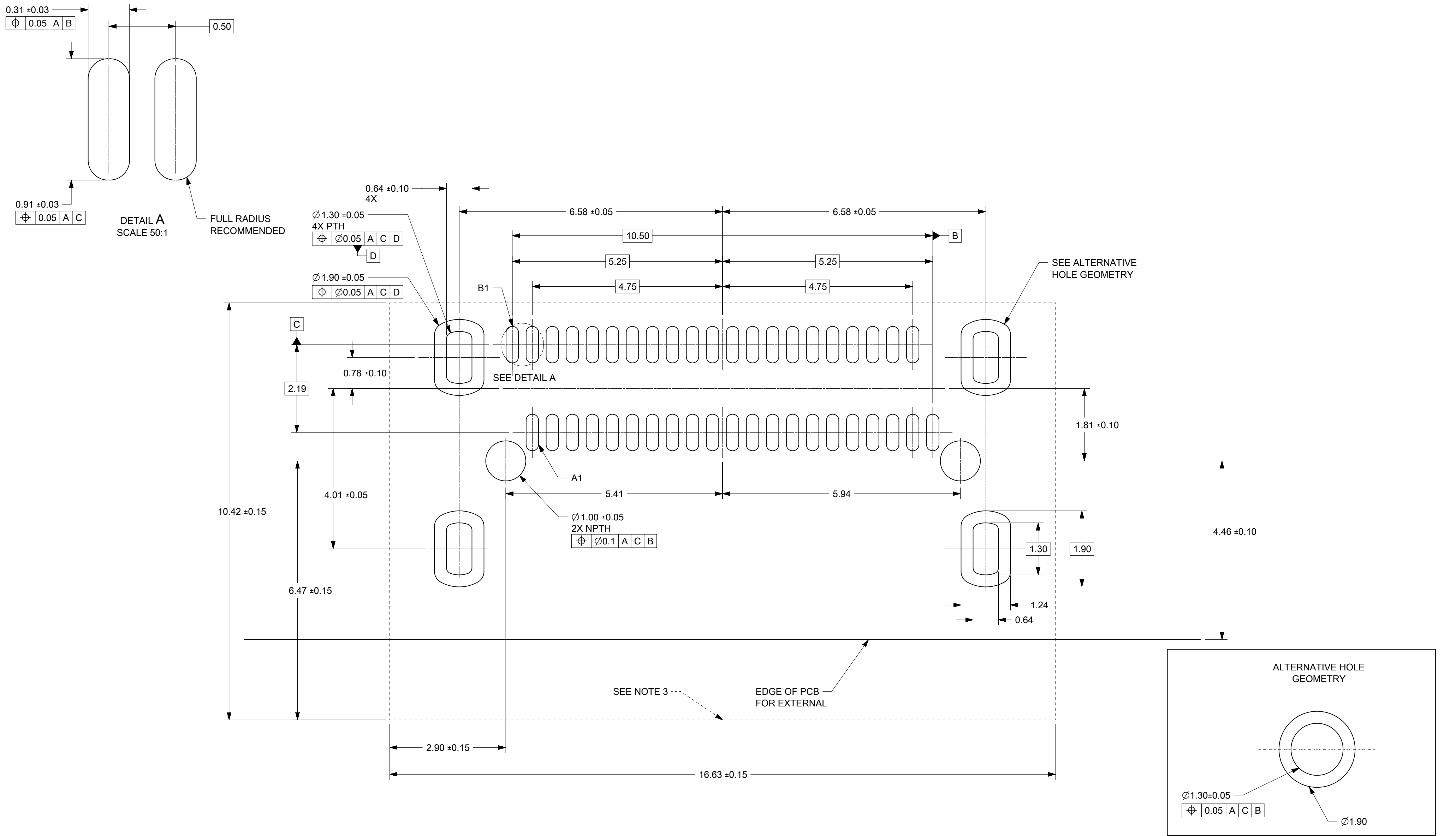
2. SOLDER TAIL COPLANARITY 0.10 MAX



FUNCTIONAL SYMBOLS	THIS DRAWING CONTAINS INFORMATION THAT IS PROPRIETARY TO MOLEX ELECTRONIC TECHNOLOGIES, LLC AND SHOULD NOT BE USED WITHOUT WRITTEN PERMISSION														
	DIMENSION UNITS	SCALE	CURRENT REV DESC:												
$\frac{F}{A} = 0$	mm	10:1	EC NO: 701025									NANO-PITCH I/O RIGHT ANGLE 4X			
$\frac{E}{C} = 0$	GENERAL TOLERANCES (UNLESS SPECIFIED)		DRWN: ABELD2 2022/03/25												
$\frac{E}{P} = 0$	ANGULAR TOL ± 0.5°		CHK'D: JKACHLIC 2022/03/31							PRODUCT CUSTOMER DRAWING					
DIVISIONAL SYMBOLS	4 PLACES ±		APPR: JKACHLIC 2022/03/31												
	3 PLACES ±		INITIAL REVISION:												
	2 PLACES ± 0.13		DRWN: MJANTELEZIO 2015/10/21							DOCUMENT NUMBER					
	1 PLACE ± 0.25		APPR: MBANAKIS 2015/11/09							SD-171982-1000					
0 PLACES ±		DRAFT WHERE APPLICABLE MUST REMAIN WITHIN DIMENSIONS		THIRD ANGLE PROJECTION		DRAWING		SERIES		MATERIAL NUMBER		CUSTOMER		SHEET NUMBER	
						C-SIZE		171982		GENERAL MARKET		3 OF 6			

DOCUMENT STATUS	P1	RELEASE DATE	2022/03/31	04:19:28
-----------------	----	--------------	------------	----------

# 42 CIRCUIT TAIL RECOMMENDED FOOTPRINT



## NOTES:

1. MINIMUM RECOMMENDED SPACING BETWEEN ADJACENT CONNECTOR IS 19.05mm
2. MINIMUM RECOMMENDED PCB THICKNESS: 1.57mm
3. CONNECTOR KEEP OUT AREA
4. DATUM -A- ESTABLISHED FROM TOP SURFACE OF PCB

FUNCTIONAL SYMBOLS	THIS DRAWING CONTAINS INFORMATION THAT IS PROPRIETARY TO MOLEX ELECTRONIC TECHNOLOGIES, LLC AND SHOULD NOT BE USED WITHOUT WRITTEN PERMISSION		CURRENT REV DESC:	
	DIMENSION UNITS	SCALE		
$\frac{F}{A} = 0$	mm	15:1		
$\frac{F}{C} = 0$	GENERAL TOLERANCES (UNLESS SPECIFIED)			
$\frac{F}{P} = 0$	ANGULAR TOL $\pm 0.5^\circ$			
DIVISIONAL SYMBOLS	4 PLACES	$\pm$	EC NO: 701025	
	3 PLACES	$\pm$	DRWN: ABELD2 2022/03/25	
	2 PLACES	$\pm 0.13$	CHK'D: JKACHLIC 2022/03/31	
	1 PLACE	$\pm 0.25$	APPR: JKACHLIC 2022/03/31	
	0 PLACES	$\pm$	INITIAL REVISION:	
DRAFT WHERE APPLICABLE MUST REMAIN WITHIN DIMENSIONS		THIRD ANGLE PROJECTION	DRAWING	SERIES
			C-SIZE	171982
DOCUMENT STATUS		P1	RELEASE DATE	2022/03/31 04:19:28
DOCUMENT NUMBER		CUSTOMER		SHEET NUMBER
SD-171982-1000		GENERAL MARKET		4 OF 6
DOC TYPE		DOC PART	REVISION	
PSD		001	J3	

**molex**

NANO-PITCH I/O  
 RIGHT ANGLE 4X

PRODUCT CUSTOMER DRAWING

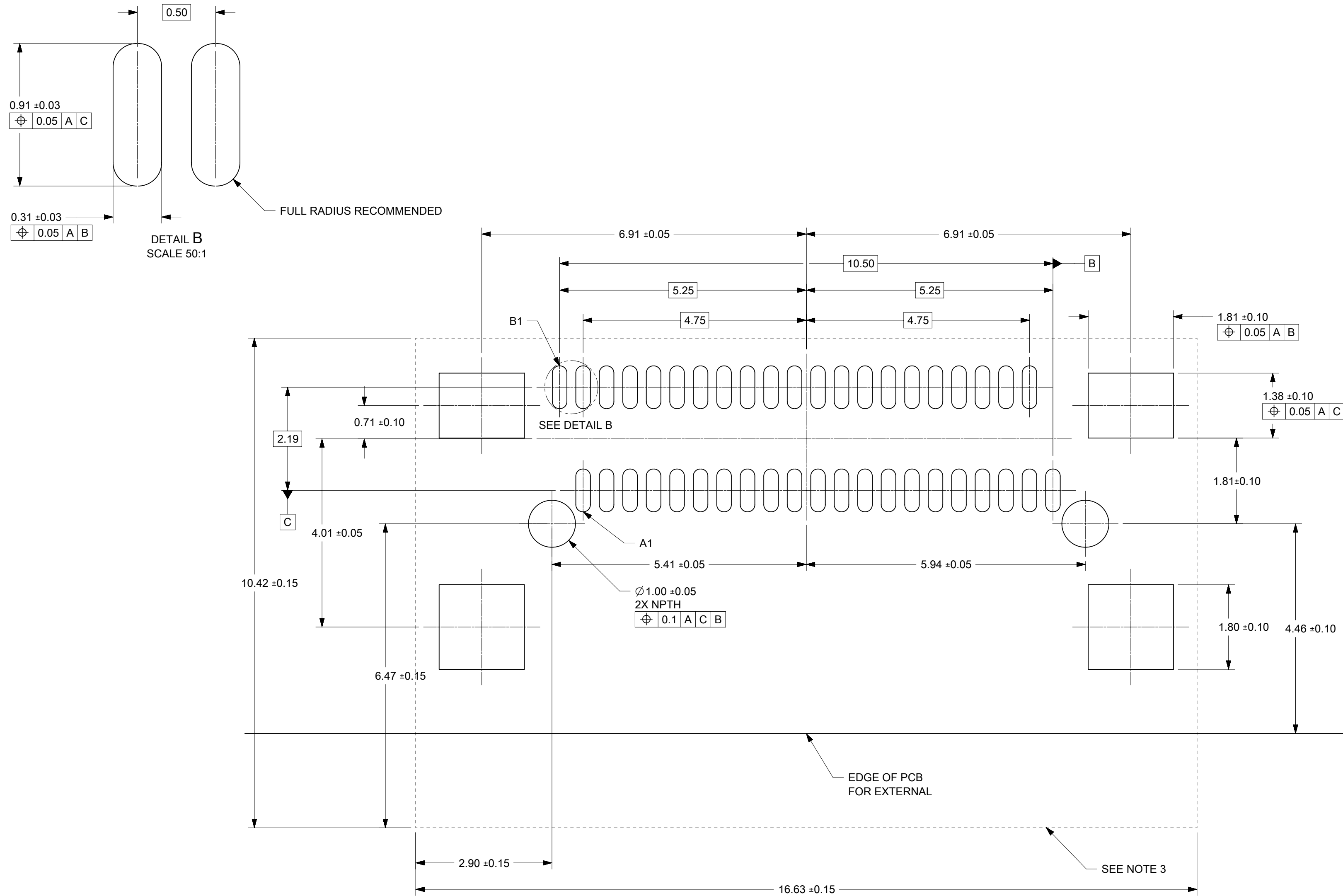
DOCUMENT NUMBER | DOC TYPE | DOC PART | REVISION

SD-171982-1000 | PSD | 001 | J3

MATERIAL NUMBER | CUSTOMER | SHEET NUMBER

GENERAL MARKET | 4 OF 6

# 42 CIRCUIT SMT RECOMMENDED FOOTPRINT



## NOTES:

1. MINIMUM RECOMMENDED SPACING BETWEEN ADJACENT CONNECTOR IS 19.05mm
2. MINIMUM RECOMMENDED PCB THICKNESS: 1.57mm
3. CONNECTOR KEEP OUT AREA
4. DATUM -A- ESTABLISHED FROM TOP SURFACE OF PCB

FUNCTIONAL SYMBOLS	THIS DRAWING CONTAINS INFORMATION THAT IS PROPRIETARY TO MOLEX ELECTRONIC TECHNOLOGIES, LLC AND SHOULD NOT BE USED WITHOUT WRITTEN PERMISSION		
	DIMENSION UNITS	SCALE	CURRENT REV DESC:
$\frac{F}{A} = 0$	mm	15:1	EC NO: 701025 DRWN: ABELD2 CHK'D: JKACHLIC APPR: JKACHLIC
$\frac{F}{C} = 0$	GENERAL TOLERANCES (UNLESS SPECIFIED)		
$\frac{F}{P} = 0$	ANGULAR TOL ± 0.5°		2022/03/25
DIVISIONAL SYMBOLS	4 PLACES	±	2022/03/31
	3 PLACES	±	2022/03/31
	2 PLACES	± 0.13	
	1 PLACE	± 0.25	
	0 PLACES	±	
DRAFT WHERE APPLICABLE MUST REMAIN WITHIN DIMENSIONS		THIRD ANGLE PROJECTION	DRAWING SERIES
			C-SIZE 171982
DOCUMENT STATUS		P1	RELEASE DATE
2022/03/31		04:19:28	
DOCUMENT NUMBER		CUSTOMER	SHEET NUMBER
SD-171982-1000		GENERAL MARKET	5 OF 6
DOC TYPE		DOC PART	REVISION
PSD		001	J3

**molex**

NANO-PITCH I/O  
RIGHT ANGLE 4X

PRODUCT CUSTOMER DRAWING

DOCUMENT NUMBER: SD-171982-1000  
DOC TYPE: PSD  
DOC PART: 001  
REVISION: J3

MATERIAL NUMBER: GENERAL MARKET  
CUSTOMER: GENERAL MARKET  
SHEET NUMBER: 5 OF 6

REVISION	DATE	DISCRIPTION
J2	8/10/2021	UPDATE THE DATE CODE. SHEET 2/SHEET 3 From "MX YYDD" update to "MX YYDDD"
J3	3/25/2022	SHEET 1:CORRECT THE PS No. FROM PS-171982-0001 TO PS-173162-0001

THIS DRAWING CONTAINS INFORMATION THAT IS PROPRIETARY TO MOLEX ELECTRONIC TECHNOLOGIES, LLC AND SHOULD NOT BE USED WITHOUT WRITTEN PERMISSION											
FUNCTIONAL SYMBOLS	DIMENSION UNITS	SCALE	CURRENT REV DESC:								
	$\frac{F}{A} = 0$	mm									
DIVISIONAL SYMBOLS	GENERAL TOLERANCES (UNLESS SPECIFIED)		EC NO: 701025 DRWN: ABELD2 2022/03/25 CHK'D: JKACHLIC 2022/03/31 APPR: JKACHLIC 2022/03/31 INITIAL REVISION: DRWN: MJANTELEZIO 2015/10/21 APPR: MBANAKIS 2015/11/09								
	$\frac{F}{C} = 0$	ANGULAR TOL $\pm 0.5^\circ$									
	$\frac{F}{P} = 0$	4 PLACES $\pm$									
	3 PLACES $\pm$	PRODUCT CUSTOMER DRAWING									
	2 PLACES $\pm 0.13$	DOCUMENT NUMBER			DOC TYPE			DOC PART		REVISION	
	1 PLACE $\pm 0.25$	SD-171982-1000			PSD			001		J3	
	0 PLACES $\pm$	MATERIAL NUMBER			CUSTOMER			SHEET NUMBER			
	DRAFT WHERE APPLICABLE MUST REMAIN WITHIN DIMENSIONS	THIRD ANGLE PROJECTION	DRAWING	SERIES	GENERAL MARKET			6 OF 6			
			C-SIZE	171982							



NANO-PITCH I/O  
RIGHT ANGLE 4X

PRODUCT CUSTOMER DRAWING

SD-171982-1000 PSD 001 J3

GENERAL MARKET

6 OF 6