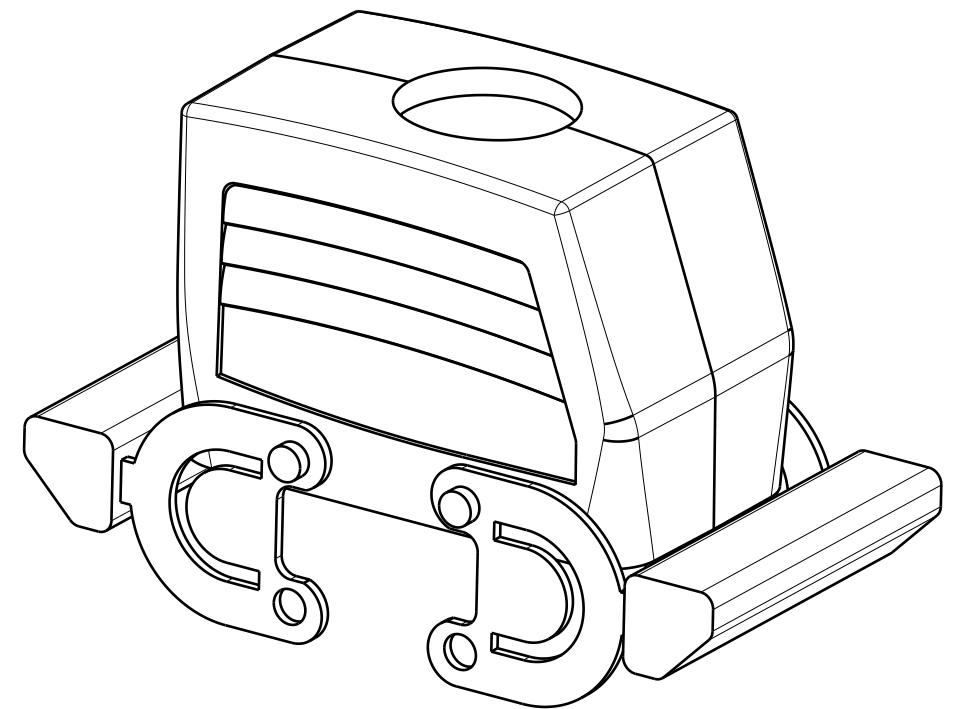
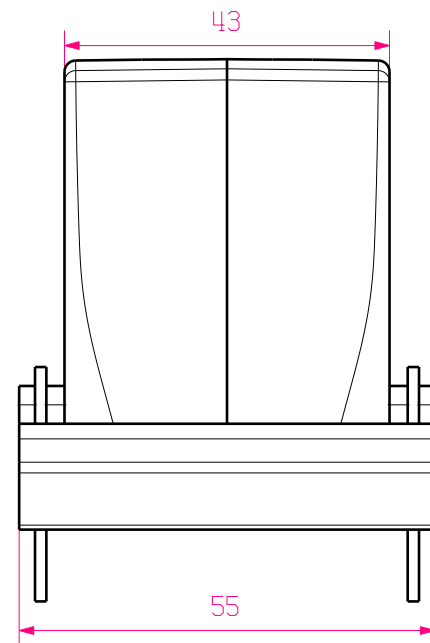
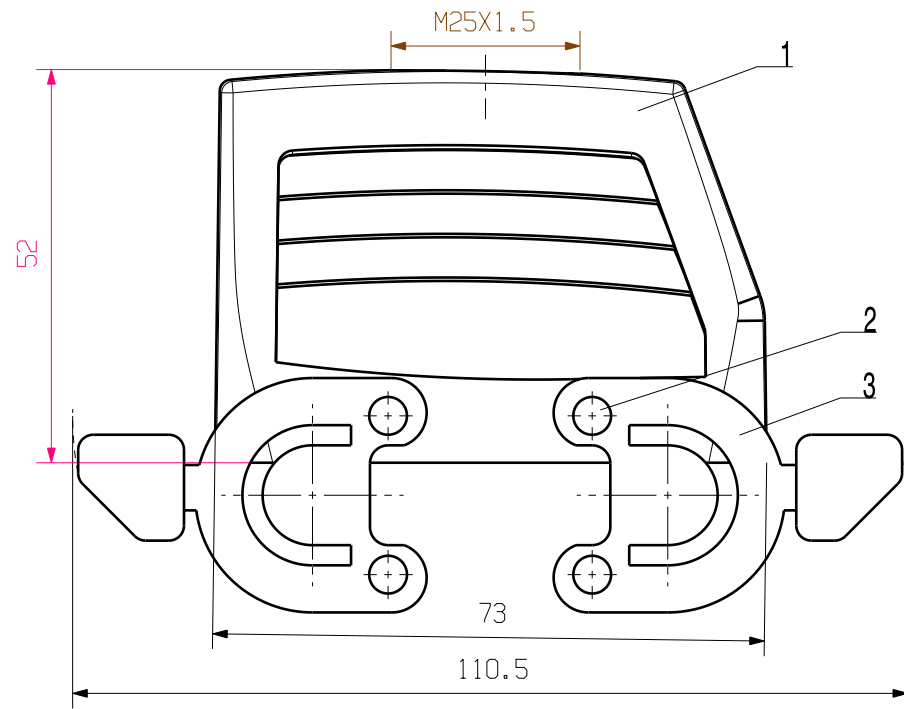


MASSE OHNE TOLERANZ SIND KEINE PRUEFMASSE
 DIMS. WITHOUT TOLERANCE ARE NOT CONTROL DIMS.



| | | |
|----------------------------|-------------------|-------------------------------|
| 3 | LOCKING | STAINLESS STEEL |
| 2 | LOCKING BOLTS | STAINLESS STEEL |
| 1 | PLUG HOOD HOUSING | ALUMINIUM WITH POWDER COATING |
| ROHSTOFF-NR. R.PART NO. | TYP PART NAME | WERKSTOFF MATERIAL |

CAT.NO.: 1787610000

| | | | | | | | |
|------------------|--|--------------|--------------------|---|--|-----------|--|
| MAX. NRN./NOS. ? | | MODIFICATION | | DRAWING NO. | | ISSUE NO. | |
| DRAWN | | DATE | NAME | Weidmüller HDC 10B TOBO 1M25G STECKERGEHAUSE PLUG HOOD HOUSING | | | |
| RESPONSIBLE | | 08.11.2005 | LIU_F | | | | |
| SUPERSEDES: | | CHECKED | 30.11.2005 ZHANG_T | | | | |
| SUPERSEDED BY: | | APPROVED | | | | | |
| SCALE: 1/1 | | | | PRODUCT FILE: | | | |

WEITERGABE SOWIE VERVIELFÄLTIGUNG DIESES DOKUMENTS, VERWERTUNG UND MITTEILUNG SEINES INHALTS SIND VERBOTEN, SOWEIT NICHT AUSDRUECKLICH GESTATET.
 ZUWIDERHANDLUNGEN VERPFLICHTEN ZU SCHADENERSATZ. ALLE RECHTE FUER DEN FALL DER PATENT-, GEBRAUCHSMUSTER- ODER GESCHMACKSMUSTEREINTRAGUNG VORBEHALTEN.
 THE REPRODUCTION, DISTRIBUTION AND UTILIZATION OF THIS DOCUMENT AS WELL AS THE COMMUNICATION OF ITS CONTENTS TO OTHERS WITHOUT EXPLICIT AUTHORIZATION IS PROHIBITED.
 OFFENDERS WILL BE HELD LIABLE FOR THE PAYMENT OF DAMAGES. ALL RIGHTS RESERVED IN THE EVENT OF THE GRANT OF A PATENT, UTILITY MODEL OR DESIGN.