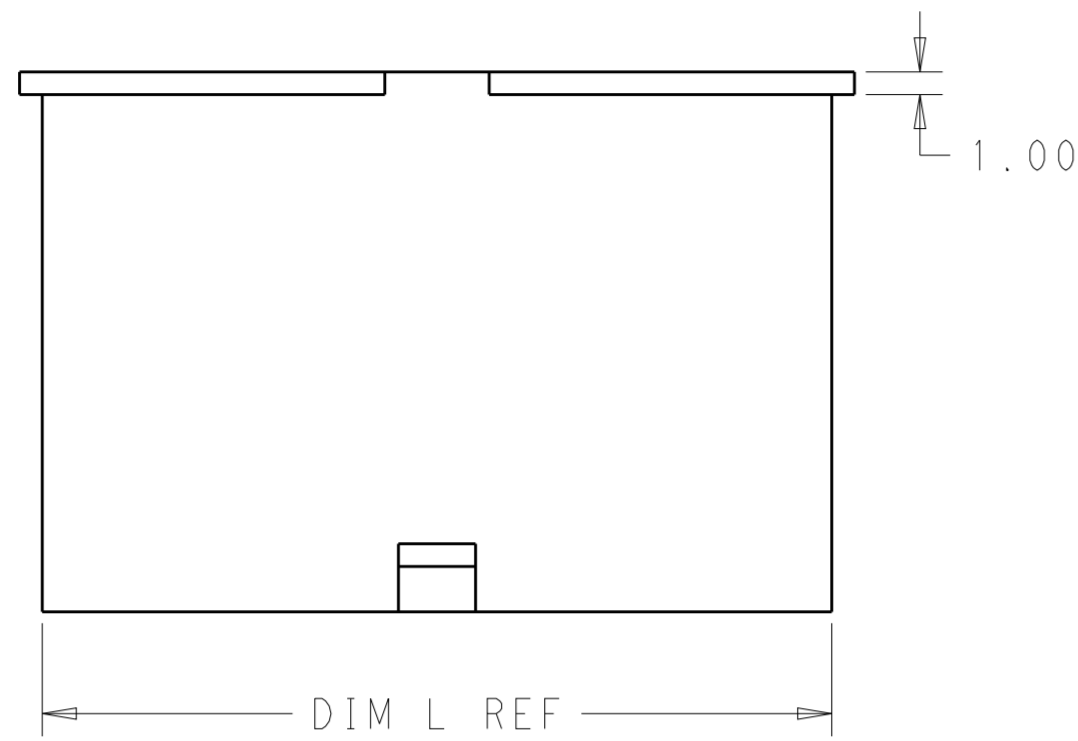
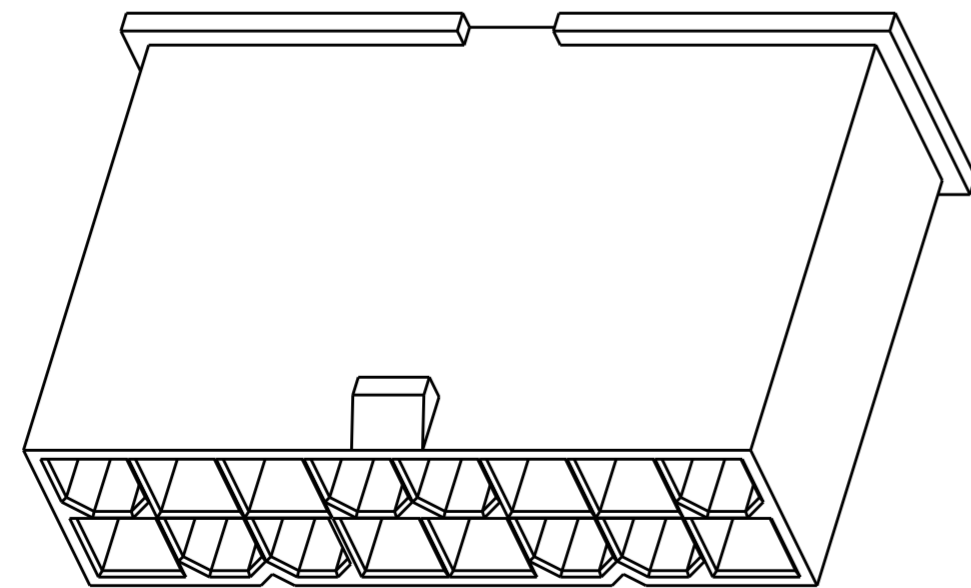
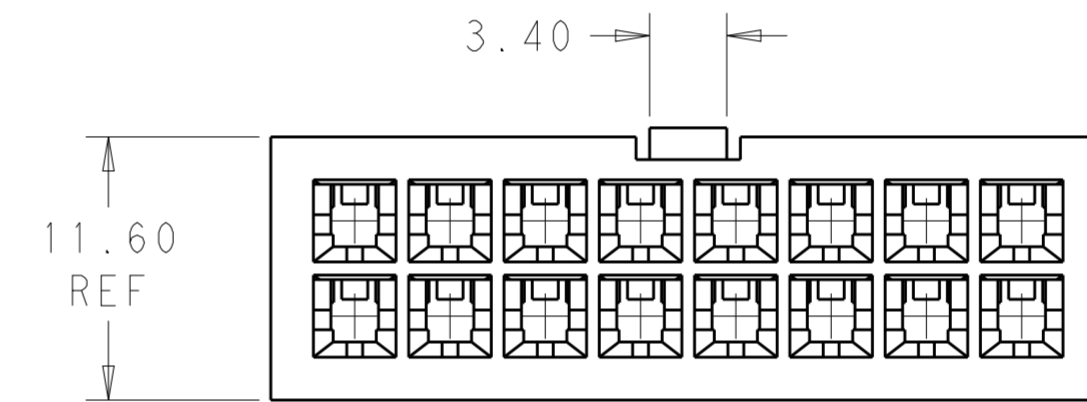
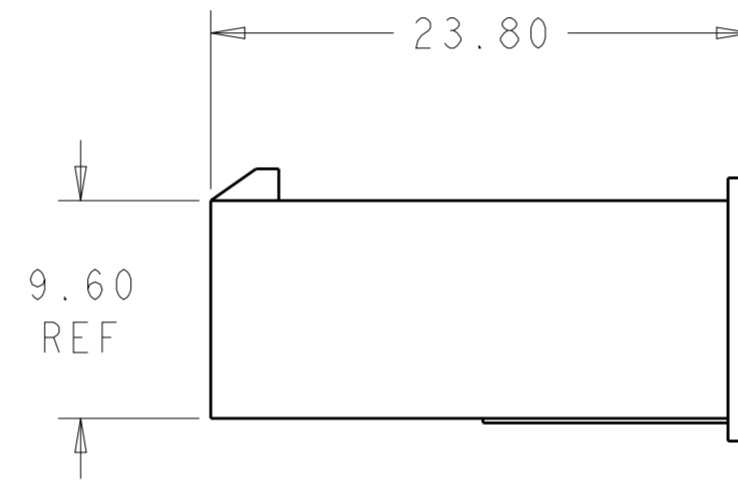
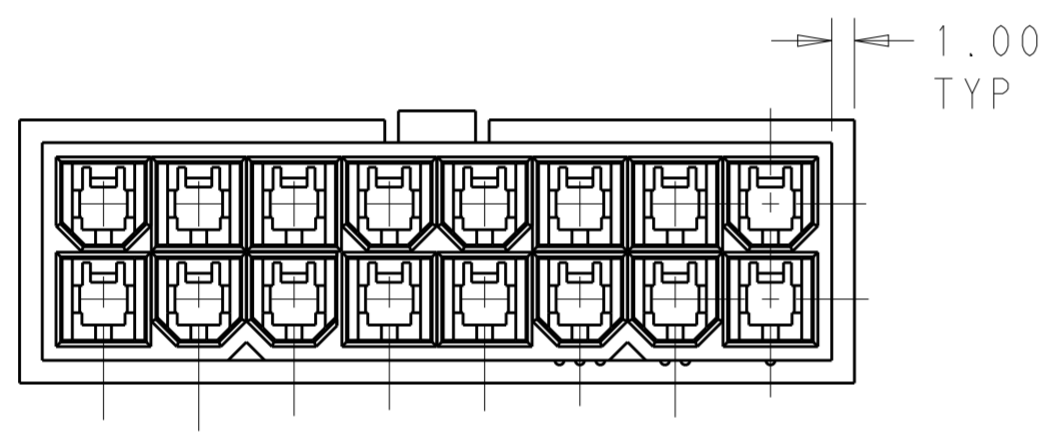


THIS DRAWING IS UNPUBLISHED. RELEASED FOR PUBLICATION 20
 © COPYRIGHT 20 BY - ALL RIGHTS RESERVED.

LOC	DIST	REVISIONS					
AF	-	P	LTR	DESCRIPTION	DATE	DWN	APVD
		A		REVISED PER ECR-15-014244	23SEP2015	NK	DC



- 1 POLYAMIDE, UL94-V0, COLOR: NATURAL (WHITE)
- 2 GLOW WIRE FLAMMABILITY INDEX (GWFI) 850°C AT LEAST ACC. TO IEC 60335-1
- 3 GLOW WIRE IGNITION TEMPERATURE (GWIT) 775°C AT LEAST, ACC. TO IEC 60335-1
- 4 GLOW WIRE END PRODUCT TEMPERATURE (GWEPT) 750°C NO FLAME, ACC. TO IEC 60335-1



51.60	24	2-2296206-4
47.40	22	2-2296206-2
43.20	20	2-2296206-0
39.00	18	1-2296206-8
34.80	16	1-2296206-6
30.60	14	1-2296206-4
26.40	12	1-2296206-2
22.20	10	1-2296206-0
18.00	8	2296206-8
13.80	6	2296206-6
9.60	4	2296206-4
5.40	2	2296206-2
DIM L	NO. OF POS	PART NO.

THIS DRAWING IS A CONTROLLED DOCUMENT.

DIMENSIONS:	TOLERANCES UNLESS OTHERWISE SPECIFIED:	DWN NAGALAKSHMI K 23SEP2015	TE Connectivity
mm	0 PLC ±	CHK CHIARELLI, DAVIDE 23SEP2015	
	1 PLC ±	APVD CHIARELLI, DAVIDE 23SEP2015	
	2 PLC ±0.25	PRODUCT SPEC 108-2112	
	3 PLC ±	APPLICATION SPEC 114-13172	NAME PLUG HOUSING VAL-U-LOK, GLOW WIRE AND V0
	4 PLC ±	WEIGHT -	SIZE CAGE CODE DRAWING NO RESTRICTED TO
MATERIAL	FINISH	Customer Drawing	A200779 C-2296206

SCALE 3:1 SHEET 1 OF 1 REV A