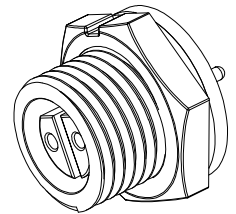
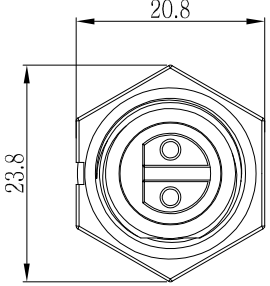
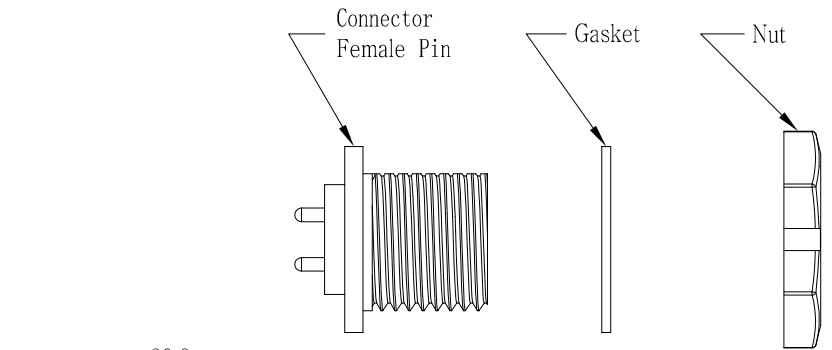
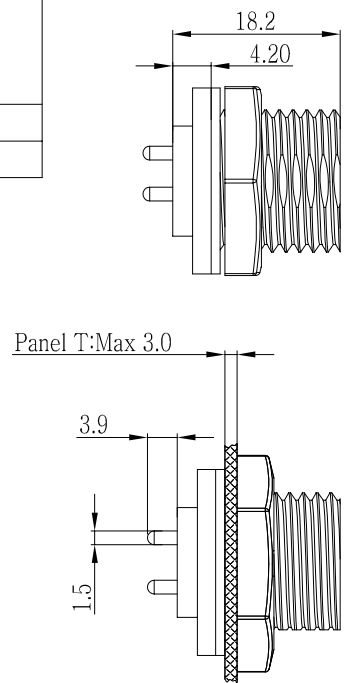
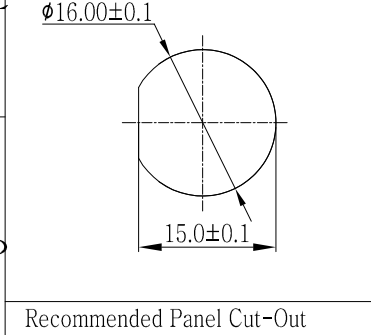
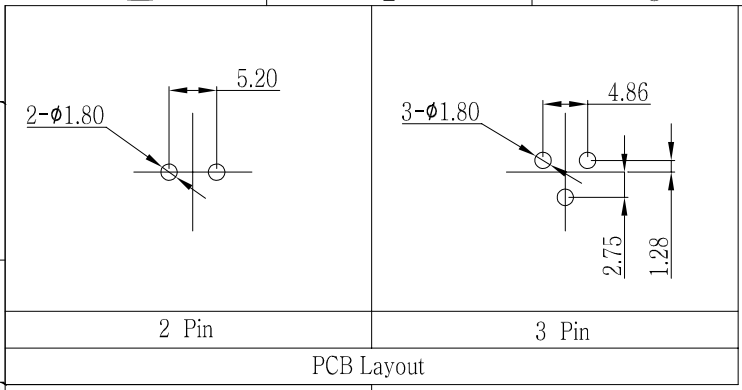
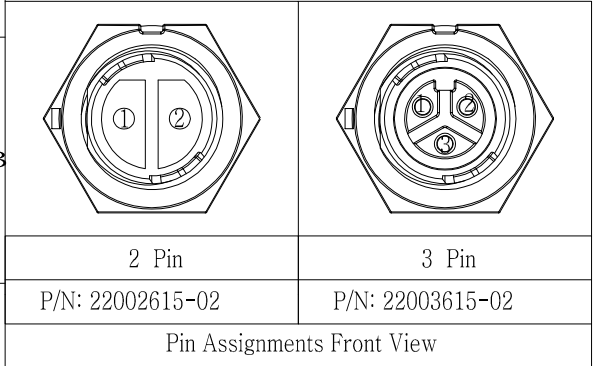


THIS INFORMATION IS CONFIDENTIAL AND IS DISCLOSED TO YOU ON CONDITION THAT NO FURTHER DISCLOSURE IS MADE BY YOU TO OTHER THAN CHOGORI PERSONNEL WITHOUT AUTHORIZATION FROM CHOGORI CORP.

REV.	ECN NO.	DESCRIPTION	SIGN	DATE
C1	N/A	INITIAL DRAWING	Yumer	2020/05/11



- Specification:
- 1.Operation Temperature:-45°C~105°C.
 - 2.Insulation Resistance:100MΩ at DC500V.
 - 3.Contact Resistance:<10mΩ.
 - 4.Withstand Voltage: 2000V AC
 - 5.Operating Current:10A
 - 6.Operating Voltage:AC 300V
 - 7.Waterproof Rate:IP67 (Mated)
 - 8.Connector:Nylon, Black
 - 9.Female Pin:Copper Alloy, Gold Plated
 - 10.Gasket:Silicon Gray
 - 11.Panel Nut:Nylon, Black
 - 12.Torque Rate:0.8~1.0N • m
 - 13.RoHS Compliant.
 - 14.Mating Cap P/N:806-00030-00



UNIT:mm		DESCRIPTION
TOLERANCE		Standard Series Screw Front Mount With Female Pin(PCB)
.X	±0.25	SCALE: 1:1
.XX	±0.15	SHEET 1 OF 1
.XXX	±0.05	REV. C1
ANGLES	±1°	SIZE A4
		* :Inspection Item

CHOGORI[®]

PART NO	22XXX615-02	DRAWN BY	Yumer	DATE	2020/05/11
DWG NO		CHECKED BY	Ivan	DATE	2020/05/11
CUSTOMER		APPROVED BY	Panson	DATE	2020/05/11