

Adapter - RAD-ADP-N/F-N/F - 2867843

Please be informed that the data shown in this PDF Document is generated from our Online Catalog. Please find the complete data in the user's documentation. Our General Terms of Use for Downloads are valid (<http://phoenixcontact.com/download>)

Antenna adapter for control cabinet feed-through, frequency range: 0.3 GHz ... 6 GHz, degree of protection: IP65, connection: 2 x N (female)



Your advantages

- As an adapter between devices and cables
- Adapter for installing the antenna inside buildings

Key Commercial Data

Packing unit	1 pc
GTIN	
GTIN	4046356046923

Technical data

Dimensions

Width	38 mm
Diameter	16.5 mm

Ambient conditions

Ambient temperature (operation)	-65 °C ... 165 °C
Ambient temperature (storage/transport)	-65 °C ... 165 °C
Degree of protection	IP20

General

Housing material	Brass (CuZn)
------------------	--------------

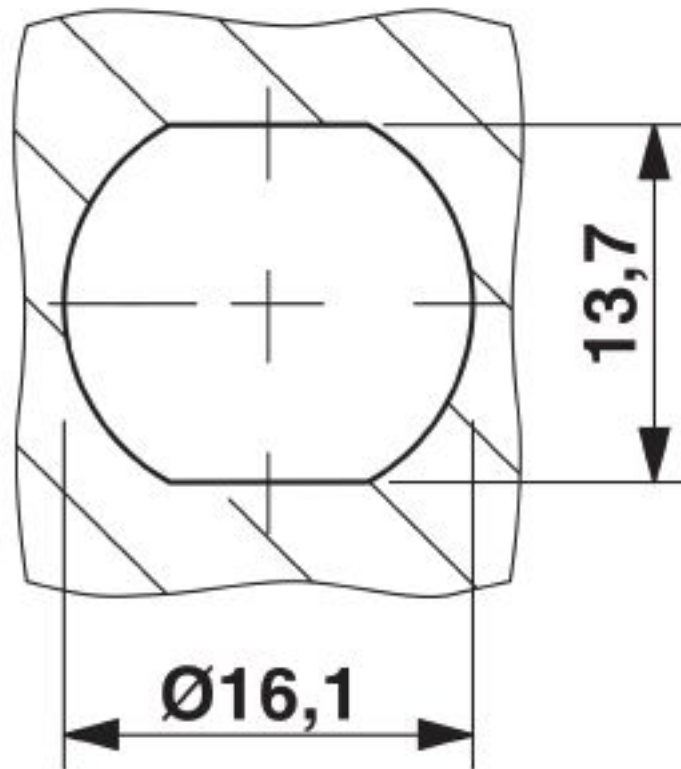
Environmental Product Compliance

REACH SVHC	Lead 7439-92-1
China RoHS	Environmentally Friendly Use Period = 25;
	For details about hazardous substances go to tab "Downloads", Category "Manufacturer's declaration"

Adapter - RAD-ADP-N/F-N/F - 2867843

Drawings

Dimensional drawing



Drill holes

Phoenix Contact 2019 © - all rights reserved
<http://www.phoenixcontact.com>

PHOENIX CONTACT GmbH & Co. KG
Flachsmarktstr. 8
32825 Blomberg
Germany
Tel. +49 5235 300
Fax +49 5235 3 41200
<http://www.phoenixcontact.com>