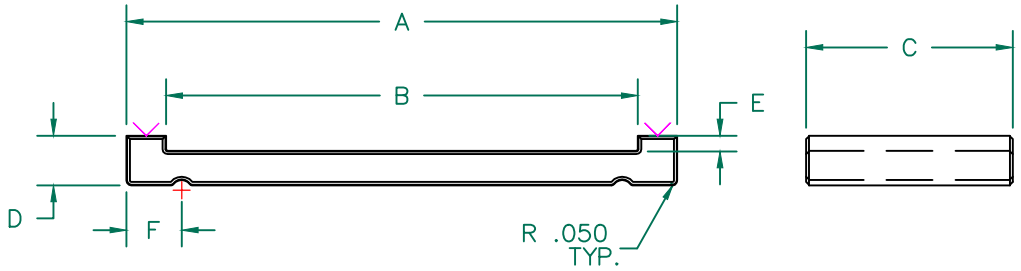


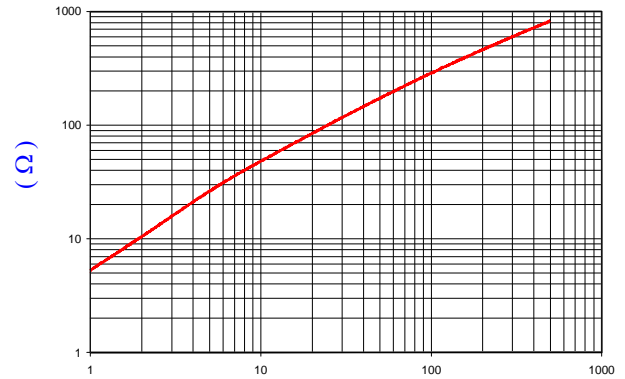
IMPEDANCE ( Z )			
Frequency	25 MHz	100 MHz	300 MHz
Nominal (REF)	100 Ω	280 Ω	600 Ω
Minimum	- Ω	224 Ω	- Ω



BARE DIMENSIONS:

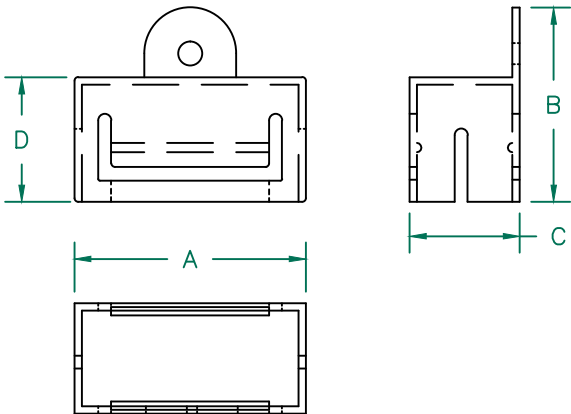
A	76.20 [3.000]	+	1.52 [.060]
B	65.28 [2.570]	+	127 [.050]
C	28.58 [1.125]	+	0.64 [.025]
D	6.35 [.250]	+	0.25 [.010]
E	0.84 [.033]	+	0.25 [.010]
F	7.62 [.300]	+	0.18 [.007]

Z vs. FREQUENCY  
(REF. ONLY)



FREQUENCY (MHz)

AGILENT E4991A Impedance/Material Analyzer  
HP 16092A-Test Fixture



NOTES:

1. ADD PLASTIC CLIPS FOR SHIPPING.
2. PLASTIC CLIP SPECIFICATION: 21137
3. COSMETIC SPECIFICATION REFER TO WI-QA-038.

PLASTIC CLIP (S2001-0P0)

CLIP DIMENSIONS:

A	31.50 [1.24]	+	0.30 [.012]
B	26.62 [1.048]	+	0.25 [.010]
C	15.44 [.608]	+	0.15 [.006]
D	16.94 [.667]	+	0.18 [.007]

DIMENSIONS ARE IN mm (INCHES).				This print is the property of Laird Tech. and is loaned in confidence subject to return upon request and with the understanding that no copies shall be made without the written consent of Laird Tech. All rights to design or invention are reserved.			
E	UPDATE COMPANY LOGO	01/07/13	QIU				
D	REVISE TOLS B, C, & D, CHG NOTE 2 AND PLASTIC CLIP P/N	11/06/03	JRK	28S2011-0P0		E	I.S.
C	UPDATE PRINT FORMAT & Z SPECS ADD CURVE	07/08/03	JRK	DATE:	02/02/98	SCALE:	4 : 1
B	UPDATE FORMAT CHG D DIM FROM .263	02/19/02	JRK	CAD #	28S2011-0P0-E	TOOL #	S2011
A	ORIGINAL DRAFT	02/02/98	I.S.	MATERIAL: FERRITE			
REV	DESCRIPTION	DATE	INT				