

**Style**

M8 Plug  
4 pin  
A-coding

**Ratings**

Voltage: 30 V  
Current: 3 A

**Operating Temperature Range**

-40~105 °C

**Materials**

- ① Insulator: PA66, UL94, HB, black
- ② Pin: C3604 brass, gold flashing
- ③ Shell: C3604 brass, nickel plated

**Electrical Requirements**

Dielectric strength: 1 min @ 500 Vac  
Insulation resistance: 100 MΩ @ 500 Vdc  
Contact resistance: 10 mΩ or less

**Mechanical Requirements**

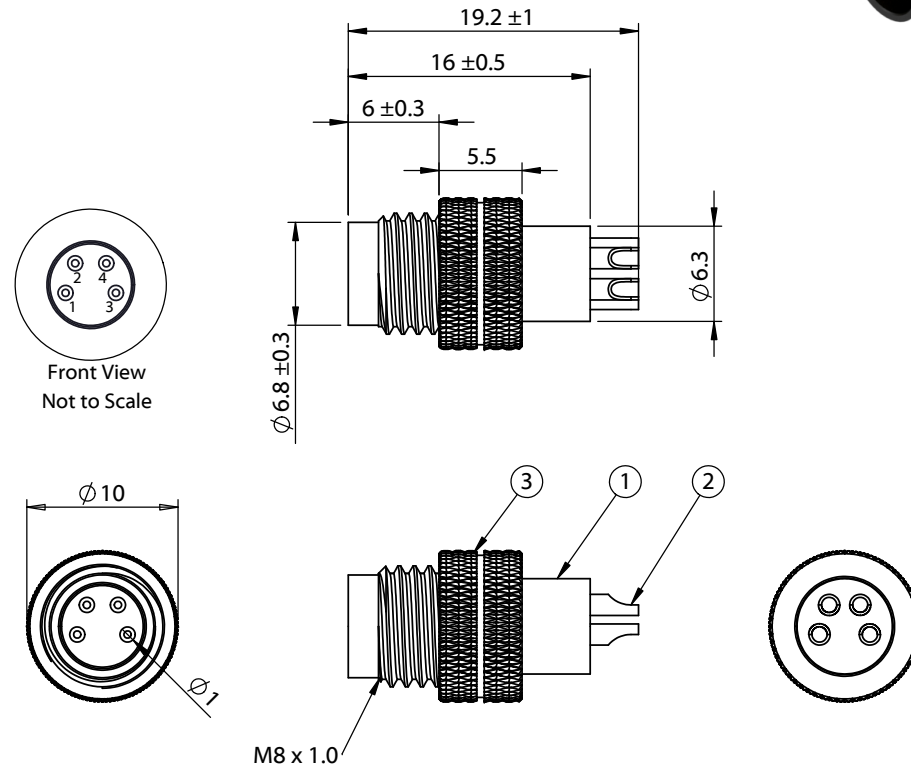
Life cycle: 1000 mating cycles minimum

**Environmental Requirements**

Salt spray test: 35 °C, relative humidity 90-95%, 5% NaCl mist for 24 hrs. Wash parts after test. Maintain mechanical requirements and a contact resistance of less than 10 mΩ.  
Waterproof: IP67

**Assembly Info**

Wire gauge: 24 AWG max



Revision:	Date:	Description:	Prepared:	Notes:	<b>TENSILITY</b> tel 1.541.323.3228 800 877.670.7118 fax 1.541.323.4202 web tensility.com
A	8/19/21	Initial Release	Verified:	RoHS compliant Function test: no open, no short circuit, no intermittent	
			Dimensions are in millimeters. Tolerances: X: ± 0.3 mm X.X: ± 0.1 mm X.XX: ± 0.05 mm	Description:	Size: Part number:
				Connector, 4 pin M8 A-code plug, 8x19.2 mm, gold plated, molding style, solder cup, IP67	A 50-00676
				Scale: 2:1	Sheet 1 of 1

5

4

3

2

1