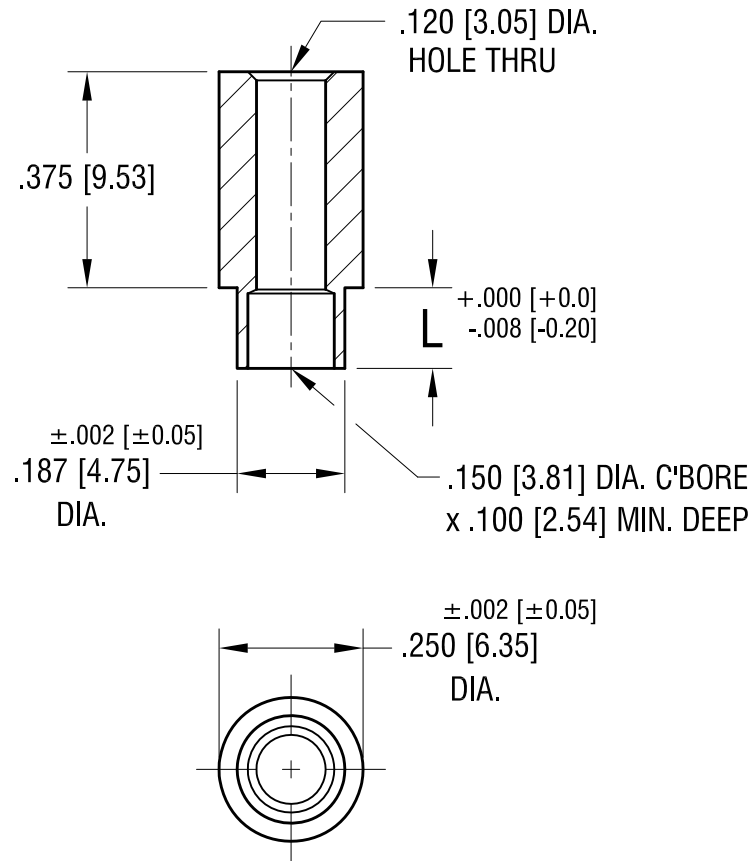


THIS DOCUMENT IS THE PROPERTY OF
KEYSTONE ELECTRONICS CORP. AND
SHALL NOT BE REPRODUCED, DISTRIBUTED
OR USED AS A BASIS FOR MANUFACTURE
WITHOUT PRIOR WRITTEN PERMISSION
FROM KEYSTONE ELECTRONICS CORP.

ACTUAL SIZE



| PART NO. | 'L' DIM. |
|----------|-------------|
| 5061-2 | .109 [2.77] |
| 5061-3 | .140 [3.56] |

| | | | |
|---|---------------------------|-----------------|-----------------|
| KEYSTONE ELECTRONICS CORP. | | | |
| www.keyelco.com • ASTORIA, N.Y. 11105-2017 • Tel (718) 956-8900 | | | |
| PART NAME | | | |
| ROUND SWAGE CLEAR SPACER | | | |
| MATERIAL | | | |
| BRASS | | | |
| FINISH | DUCTILE NICKEL PLATE | DRN BY BOONE | DATE 5.10.02 |
| | | APP'D LN | SCALE 3X |
| TOLERANCES | INCH [MM] | CODE | DWG NO. |
| DECIMAL | $\pm .005$ [± 0.13] | C | 5061- |
| ANGULAR | $\pm 1^\circ$ | | |
| UNLESS OTHERWISE SPECIFIED | | | |

| | | |
|---------|--------------------------|------|
| 9.06.13 | CHANGE AS PER ECN 13-068 | A |
| DATE | DESCRIPTION | REV. |