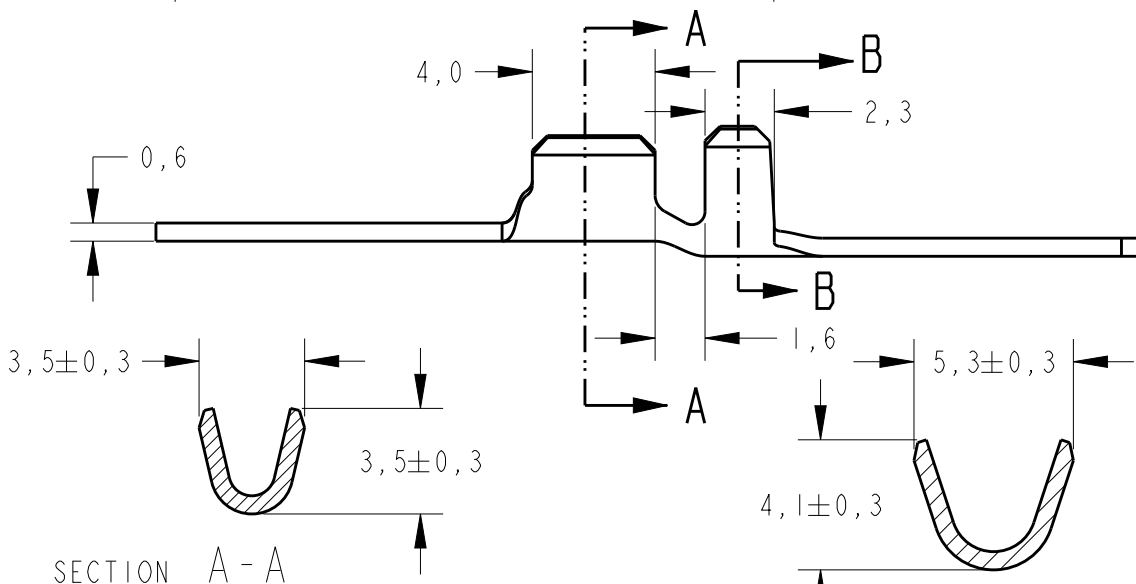
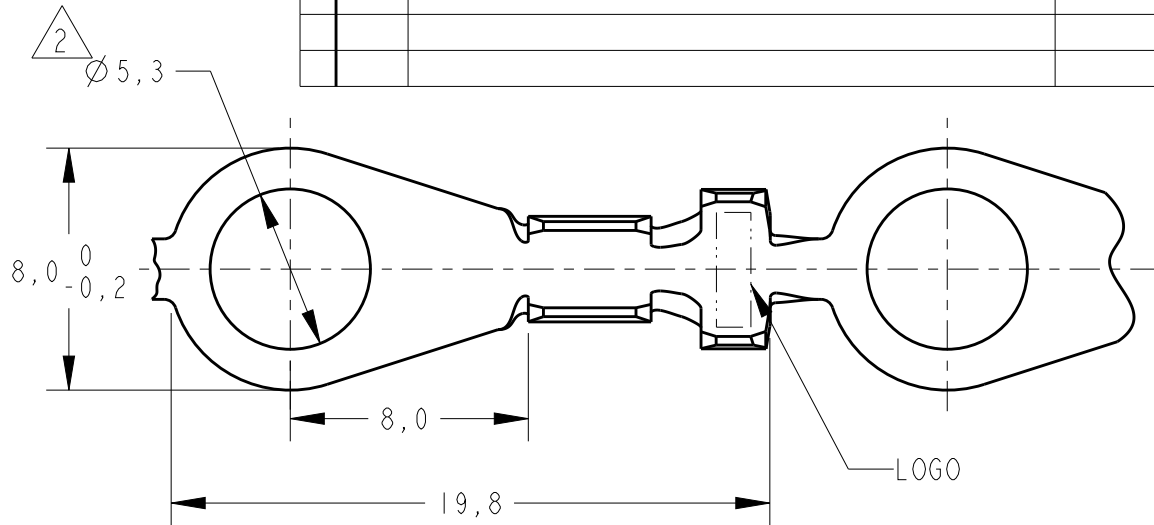


REVISIONS					
P	LTR	DESCRIPTION	DATE	DWN	APVD
	L2	REDRAWN AND REV. BY ECO-16-005813	30JUN2016	HC	WLS



① - REELED WITH PAPER INTERLEAVE.

② - Ø5,3 FOR M5 HOLE.

<b>OBSOLETE</b>	TIN-PLATED	BRASS	626029-6	①
<b>OBSOLETE</b>	TIN-PLATED	PH. BRONZE	626029-5	
<b>OBSOLETE</b>	NICKEL PLATED	BRASS	626029-4	
<b>OBSOLETE</b>		PH. BRONZE	626029-3	
	TIN-PLATED	BRASS	626029-2	
		BRASS	626029-1	①
	FINISH	MATERIAL	PART NUMBER	

WIRE RANGE 0,5-1,5mm<sup>2</sup>  
 INSUL. RANGE Ø 1,8-3,0mm.

20  
 RELEASED FOR PUBLICATION  
 ALL RIGHTS RESERVED.  
 BY -  
 COPYRIGHT 20

DIMENSIONS: mm	DWN H.C. CANTERI	30JUN2016	MATERIAL	SEE TABLE	FINISH	SEE TABLE
	CHK W.L. STEFANI	30JUN2016	TE Connectivity			
TOLERANCES UNLESS OTHERWISE SPECIFIED:	APVD	-				
0 PLC ±-	PRODUCT SPEC	-	SIZE	CAGE CODE	DRAWING NO	RESTRICTED TO
1 PLC ±0,4	APPLICATION SPEC	-	A 4	-	©-626029	-
2 PLC ±-	WEIGHT	-	CUSTOMER DRAWING			
3 PLC ±-			SCALE	SHEET	OF	REV
4 PLC ±-			4:1	1	1	L2
ANGLES ±-						