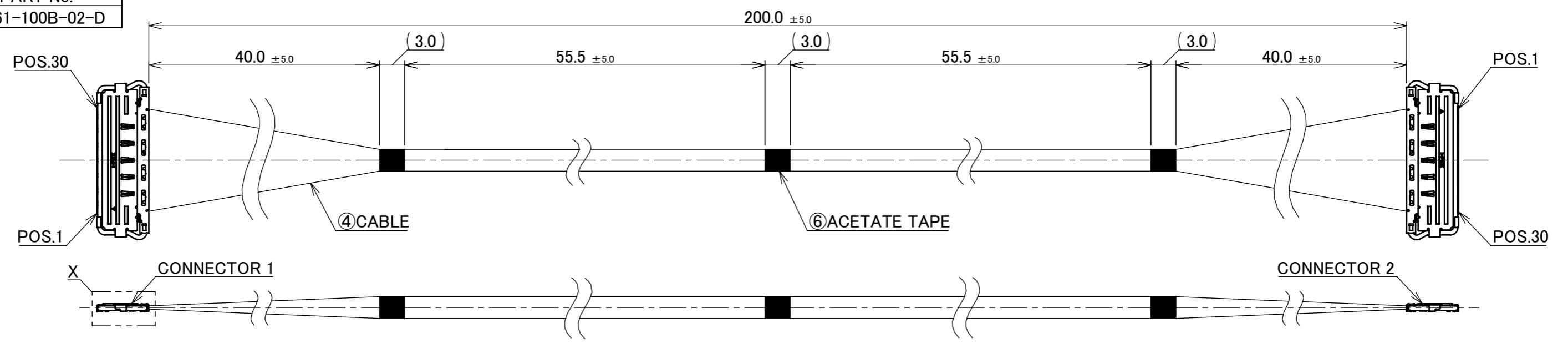
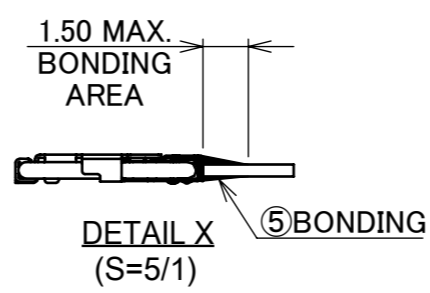
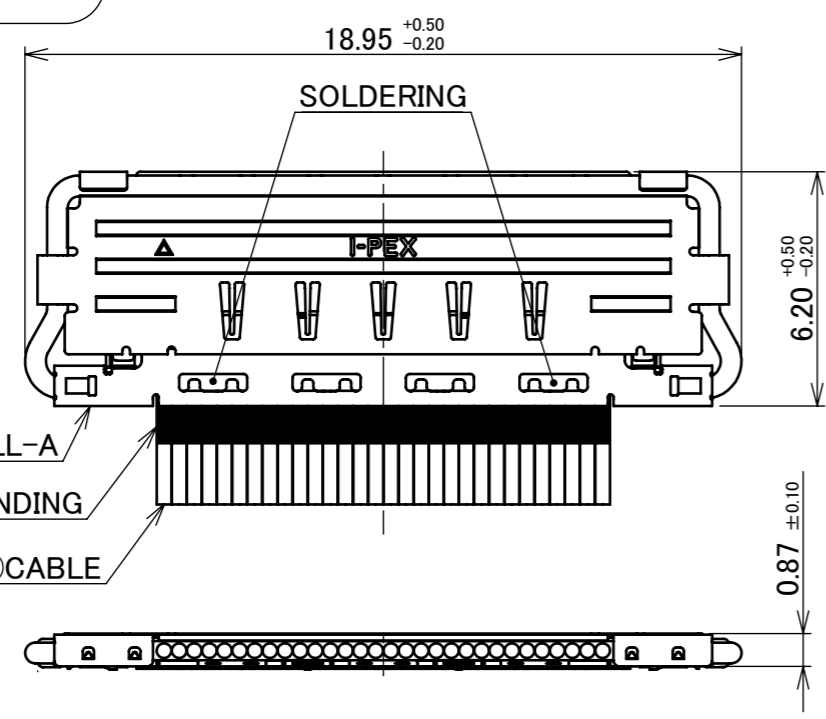


PART No.
81461-100B-02-D



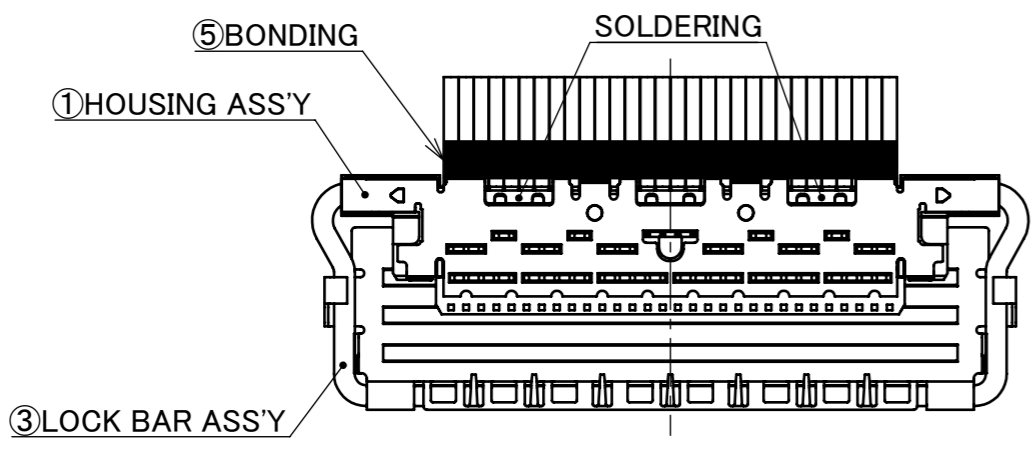
CONNECTOR 1&2
(S=5/1)



PIN ASSIGNMENT		
CONNECTOR 1	CABLE	CONNECTOR 2
30	MICRO-COAXIAL AWG #40 50 OHM, BLUE	1
29	MICRO-COAXIAL AWG #40 50 OHM, BLUE	2
.	MICRO-COAXIAL AWG #40 50 OHM, BLUE	.
.	MICRO-COAXIAL AWG #40 50 OHM, BLUE	.
2	MICRO-COAXIAL AWG #40 50 OHM, BLUE	29
1	MICRO-COAXIAL AWG #40 50 OHM, BLUE	30

- NOTE.
- TO HANDLE THIS CONNECTOR YOU MUST READ AND FOLLOW THE INSTRUCTION MANUAL BELOW. I-PEX INSTRUCTION MANUAL No.HIM-15033.
 - ELECTRIC CHARACTERISTICS
WITHSTANDVOLTAGE : AC 250V(1SEC.) LEAKAGE CURRENT 2.0mA MAX.
INSULATION RESISTANCE : 50MΩ MIN. DC 100V (0.5SEC.)

NO.	DESCRIPTION	PARTS NO.	QTY	REMARK
6	ACETATE TAPE	-	3	BLACK
5	BONDING	-	-	UV GLUE
4	CABLE	-	30	MICRO-COAXIAL AWG #40 50 OHM, BLUE
3	LOCK BAR ASS'Y	20681-030T-01	2	CONNECTOR 1 & 2
2	SHELL-A	3204-0301	2	CABLINÉ-CA II PLUG P/N : 20679-030T-01 CONNECTOR TO BE MATED : 20682-030E-02
1	HOUSING ASS'Y	20680-030T-01	2	



For DIGI-KEY CORPORATION

ANGLE	±2°	6 OVER 30 MAX.	±0.3	PROJECTION ⊕	SERIES No. IH-210016	CUSTOMER COPY
	6 MAX.	±0.2	30 OVER 120 MAX.			
GENERAL TOLERANCE.				TITLE CABLINÉ®-CA II 30P HARNESS	SCALE 2:1	UNIT mm
DWG.	K.Baba		DATE			
CHK.	R.Takei				SIZE A3	SHEET 1/1
REV.	ECN	BY	DATE	APP.		
REVISION RECORD				DWG. No.	81461	REV.
						0