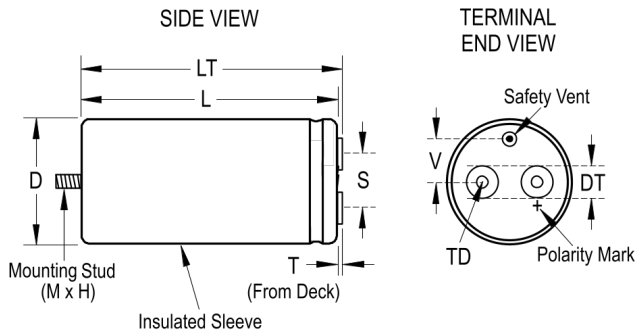


## ALS41C332NP450

Aliases (A441TS332M450C)

ALS41, Aluminum Electrolytic, 3,300 uF, 20%, 450 VDC, -40/+105°C



Click [here](#) for the 3D model.

### Dimensions

D	77mm +/-1mm
L	146mm +/-2mm
T	5.5mm +/-0.5mm
S	31.8mm +/-0.5mm
DT	13mm +/-0.5mm
LT	Available On Request
TD	10mm MIN
V	19mm NOM

### Packaging Specifications

Sleeving	Yes
Packaging	Bulk, Box

### General Information

Series	ALS41
Dielectric	Aluminum Electrolytic
Description	Screw Terminal, Aluminum Electrolytic
RoHS	Yes
Mounting	Stud
AEC-Q200	No
Halogen Free	No
Component Weight	960 g
Notes	Dimensions D And L Include Sleeving. MS (MxH) = M12x16.
Shelf Life	156 Weeks

### Specifications

Capacitance	3,300 uF
Capacitance Tolerance	20%
Voltage DC	450 VDC, 495 VDC (Surge)
Temperature Range	-40/+105°C
Rated Temperature	105°C
Life	9000 Hrs (Rated Voltage And Ripple Current At 105C), 15000 Hrs (Rated Voltage At 105C)
Resistance	38 mOhms (100Hz 20C), 27 mOhms (10kHz 20C)
Ripple Current	14.6 Amps (100Hz 105C), 22 Amps (10kHz 105C)
Leakage Current	4455 uA (5min 20°C)