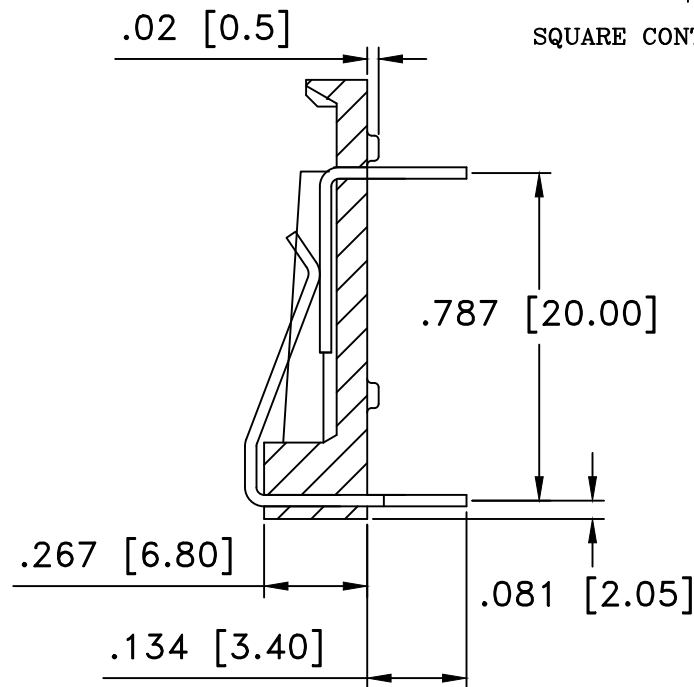
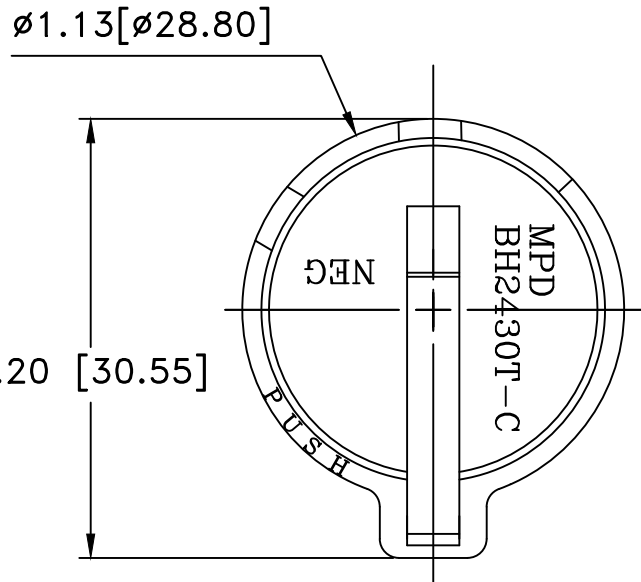
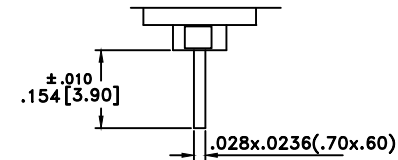
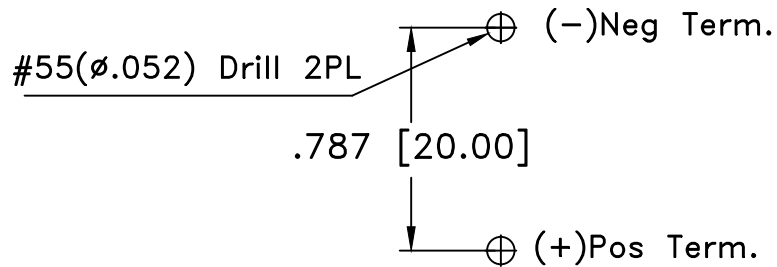
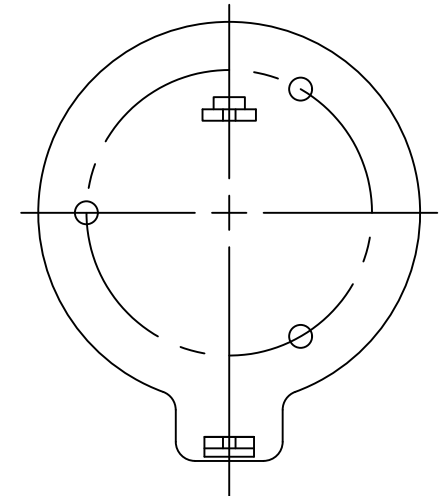


PCB LAYOUT

Date	SYM	REVISION RECORD	AUTH	DR.	CK.
12/04/19	E	Added weight of the part	T.B.	B.S.	




SQUARE CONTACT DETAIL



SPECIFICATIONS

- *Holder material- Black PBT
- *Flammability rating-UL94V-0, UL file no. E53829
- *Contacts :
 Positive: 0.0236" thick PHOS-BRONZE, Nickel Pltd.
 Negative: 0.0236" thick spring tempered Stainless Steel, Nickel Pltd.
- *Temperature Range: -40°C to +140°C
- * APPROXIMATE WEIGHT: 2.82g
- ROHS COMPLIANT

Tolerance (Except as noted)	 Memory protection Devices, Inc 200 Broad Hollow Road, Farmingdale, New York 11735		
decimal ±.5 (.020)	Scale	Drawn By B.S.	
Fractional ± .8 (.030)	Title	Approved By T.B.	
Angular ± 3°	Date	Drawing Number	
	12/04/19	BH2430T-C	