

CAB444RF: I-PEX MHF + ISOLATED TNC BULKHEAD JACK WITH O-RING RATED TO IP67/68 + MULTIPLE CABLE SIZES, 6GHz

SPECIFICATIONS :

- I-PEX MHF PLUG, P/N:
FOR RG178 CABLE: 20278-112R-18.
FOR $\phi 1.37\text{MM}$ CABLE: 20351-112R-37.
- COAXIAL CABLE, SEE P/N OPTIONS FOR DETAIL.
- ISOLATED TNC STRAIGHT BULKHEAD JACK WITH O-RING RATED TO IP67/68, P/N: RFCT-TNC016-F78.

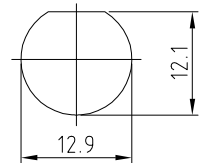
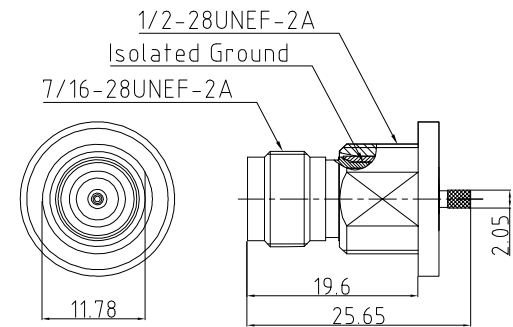
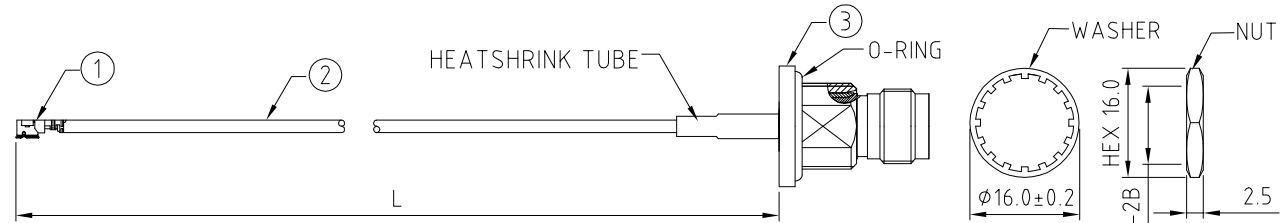
USAGE PRECAUTIONS: CABLES USING 'MICRO' COAX ARE DELICATE:
 (i) HANDLE WITH CARE.
 (ii) DO NOT TWIST; APPLY EXCESSIVE FORCES OR SHARP BENDS TO THE CABLE. DO NOT FORCEFULLY DEFORM WIRES.
 (iii) CONSULT CONNECTOR MANUFACTURER'S DATASHEETS FOR DETAILED NOTES ON HANDLING INSTRUCTIONS.

ENVIRONMENTAL:

- A. BULKHEAD MOUNTED CONNECTOR (RFCT-TNC016-F78) RATED TO THE FOLLOWING SPECIFICATION:
- IP6X - DUST TIGHT - NO PARTICLE INGRESS.
 - IPX7 WATERPROOF FOR 30 MINUTES UP TO 1 METER UNDERWATER.
 - IPX8 WATERPROOF FOR 48 HOURS AT 1 METER UNDERWATER.

NOTES:

- THE ORIENTATION OF CONNECTORS ON DRAWING IS FOR REFERENCE ONLY, IF THE ORDER IS LEFT BLANK THE CONNECTOR WILL NOT HAVE FIXED ORIENTATION.
- FIXED ORIENTATION IS SUGGESTED FOR CABLE LENGTH 50MM TO 100MM. PLEASE SPECIFY THE FIXED ORIENTATIONS FROM THE ORDER CODE (F1, F2, ETC)
- CONTACT GRADCONN IF THE ORIENTATION YOU REQUIRE IS NOT SHOWN.
- WORKING FREQUENCY RANGE: DC-6GHz.
- OPERATING TEMPERATURE: $-40^{\circ}\text{C} \sim +85^{\circ}\text{C}$.
- IMPEDANCE: 50 Ohm.



RECOMMENDED MOUNTING HOLE
 MAX. PANEL THICKNESS: 4MM
 TOLERANCE: ± 0.1

HOW TO ORDER

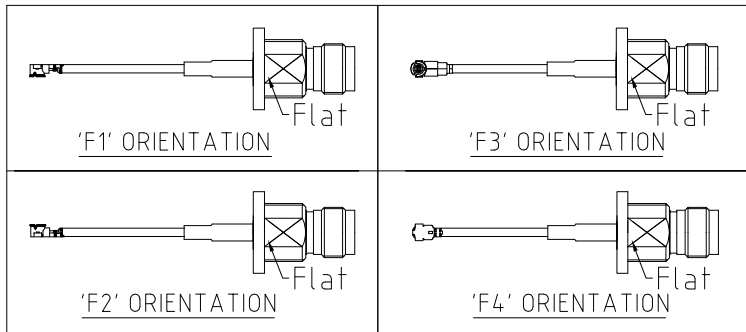
CAB444RF - X X X X - X X - X - X

"L" LENGTH IN MM:
 eg: 100MM = 0100
 (MIN. 0025-MAX.0400)
 STANDARD = 0100, 0150, 0200)
 Tolerance: <50mm: $\pm 2\text{mm}$
 50-200mm: $\pm 5\text{mm}$.
 201-400mm: $\pm 7\text{mm}$.

CABLE SIZE OPTIONS:
 1 = RG178 CABLE, COLOR: BROWN
 2 = $\phi 1.37\text{MM}$ CABLE, COLOR: BLACK

WASHER AND NUT OPTIONS:
 BLANK = SEPARATELY PACKED (STANDARD)
 A = ASSEMBLED WITH CONNECTOR

ORIENTATION OPTIONS:
 BLANK = DOES NOT HAVE A FIXED ORIENTATION
 F1 = MHF CONNECTION DOWN (L=25-200MM)
 F2 = MHF CONNECTION UP (L=25-200MM)
 F3 = MHF CONNECTION AND D FLAT SAME ORIENTATION (L=25-200MM)
 F4 = MHF CONNECTION AND D FLAT OPPOSITE ORIENTATION (L=25-200MM)
 (SEE NOTES 1, 2, 3 AND DIAGRAMS FOR MORE INFORMATION)



REV. DATE & DRN
 TO 19/10/20 - NYW RELEASE
 11. 06/11/20 - NYW
 12. 06/04/21 - NYW
 13. ADD CABLE 2 OPTION

Scale: NTS	THIRD ANGLE	Unstated X XX XXX	Tolerances: N/A N/A N/A
Drawn: NYW		ANGLES	N/A
App'd: XXX	Title CABLE ASSEMBLY		
Date: 6 APR. '21	Revision: 12	Unit: mm	

IP67/68 Rated Cables

www.gradconn.com

Drawing Number: CAB444RF	
Sheet 1	of 1
Drawing	E and O E