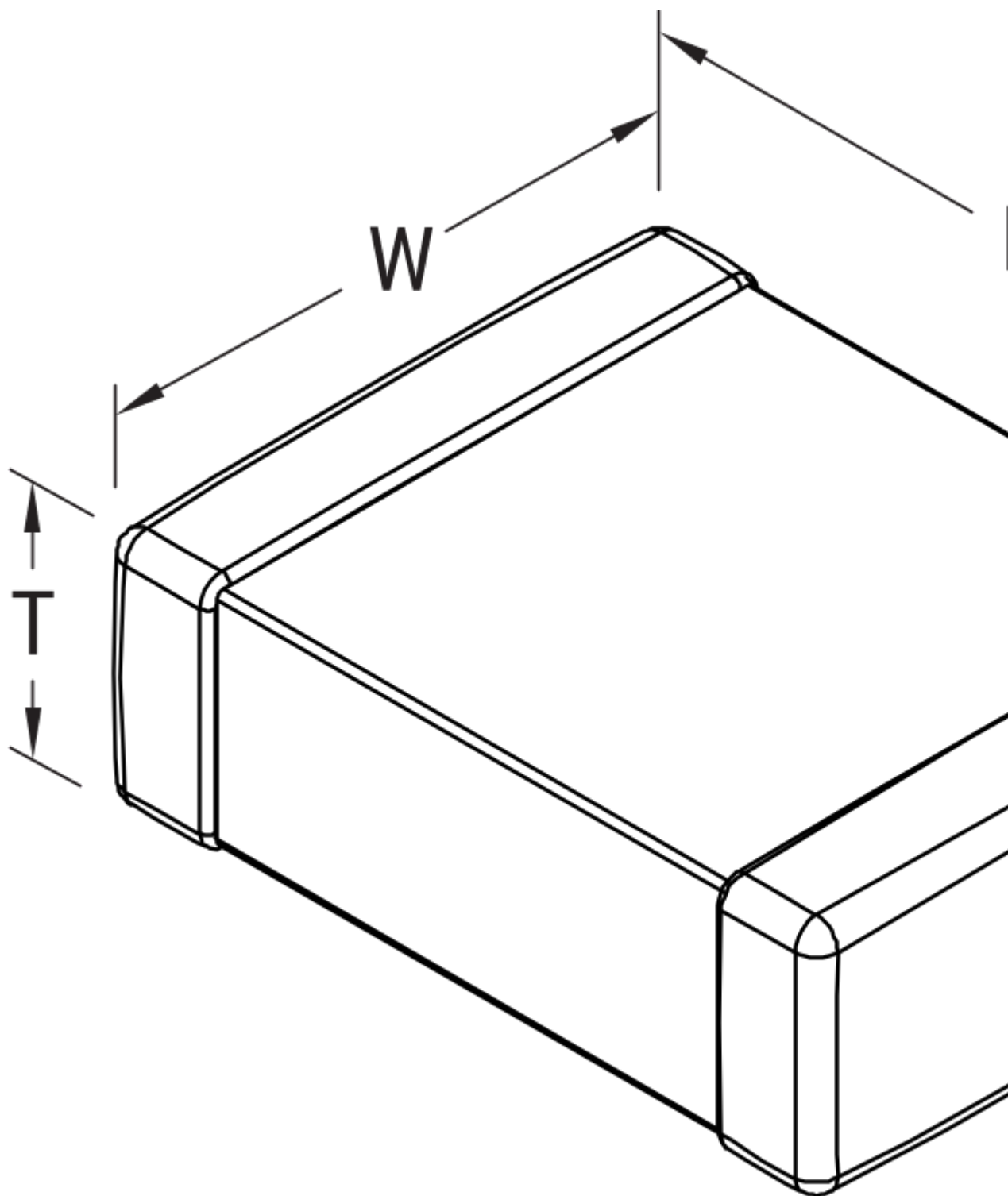


# CBR04C989D3GAC

CBR-SMD RF C0G, Ceramic, 9.8 pF, +/-0.5 pF, 25 VDC, C0G, SMD, Fixed, RF, Ultra High Q, Low ESR, Class I, 0402



Click [here](#) for the 3D model.

## Dimensions

Chip Size 0402

L	1mm +/-0.05mm
W	0.5mm +/-0.05mm
T	0.5mm +/-0.05mm

### Dimensions

B 0.25mm +0.05/-0.1mm

### Packaging Specifications

Packaging T&R, 180mm, Plastic Tape

Packaging Quantity 10000

### General Information

Series CBR-SMD RF C0G  
Style SMD Chip  
Description SMD, Fixed, RF, Ultra High Q, Low ESR, Class I  
Features Ultra High Q, Low ESR, Class I  
RoHS Yes  
Termination Tin  
Marking No  
AEC-Q200 No  
Component Weight 1.4 mg  
Notes Solder Reflow Only.  
Shelf Life 78 Weeks  
MSL 1

### Specifications

Capacitance 9.8 pF  
Capacitance Tolerance +/-0.5 pF  
Voltage DC 25 VDC  
Dielectric Withstanding Voltage 62.5 VDC  
Temperature Range -55/+125°C  
Temperature Coefficient C0G  
Dissipation Factor 0.168%  
Aging Rate 0% Loss/Decade Hour  
Insulation Resistance 10 GOhms  
Quality Factor 596

Statements of suitability for certain applications are based on our knowledge of typical operating conditions for such applications, but are not intended to constitute - and we specifically disclaim - any warranty concerning suitability for a specific customer application or use. This Information is intended for use only by customers who have the requisite experience and capability to determine the correct products for their application. Any technical advice inferred from this Information or otherwise provided by us with reference to the use of our products is given gratis, and we assume no obligation or liability for the advice given or results obtained.

Generated 5/18/2023 - f9a89890-1710-4014-a88a-dec07f8e8c18

© 2006 - 2023 KEMET

Generated 5/18/2023 - f9a89890-1710-4014-a88a-dec07f8e8c18

© 2006 - 2023 KEMET