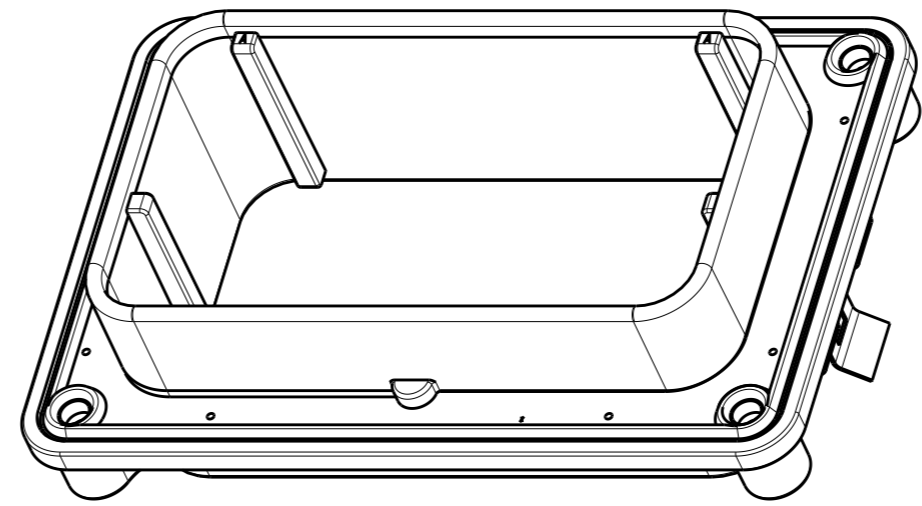
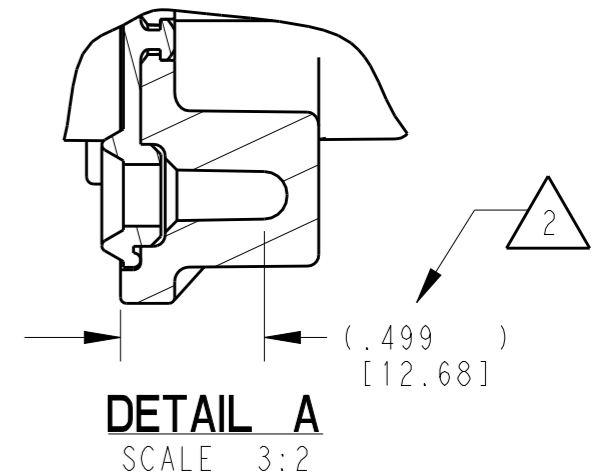
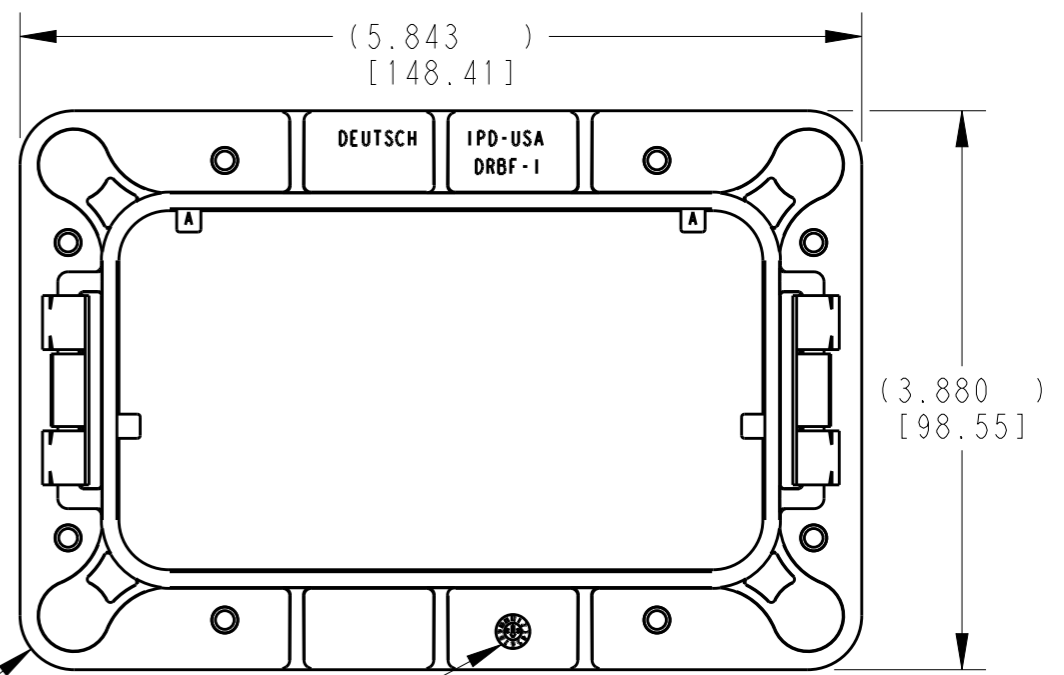
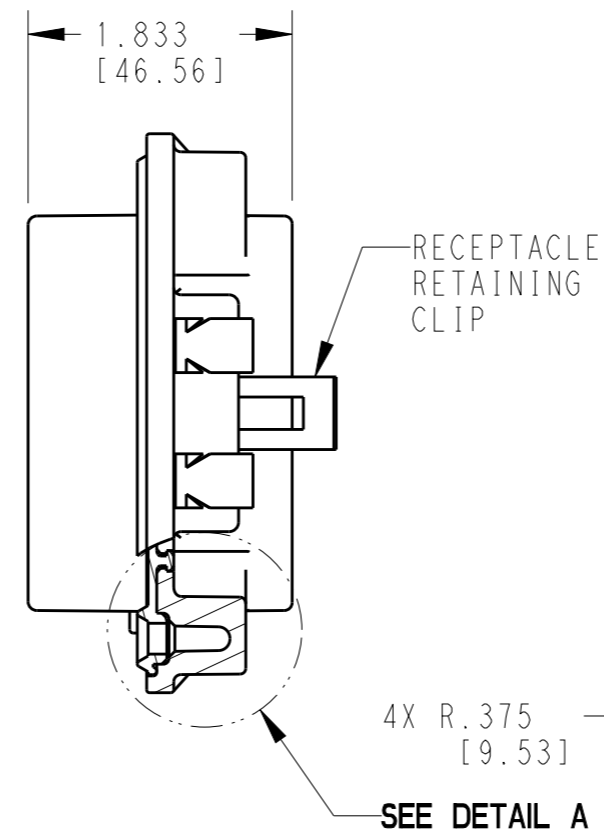
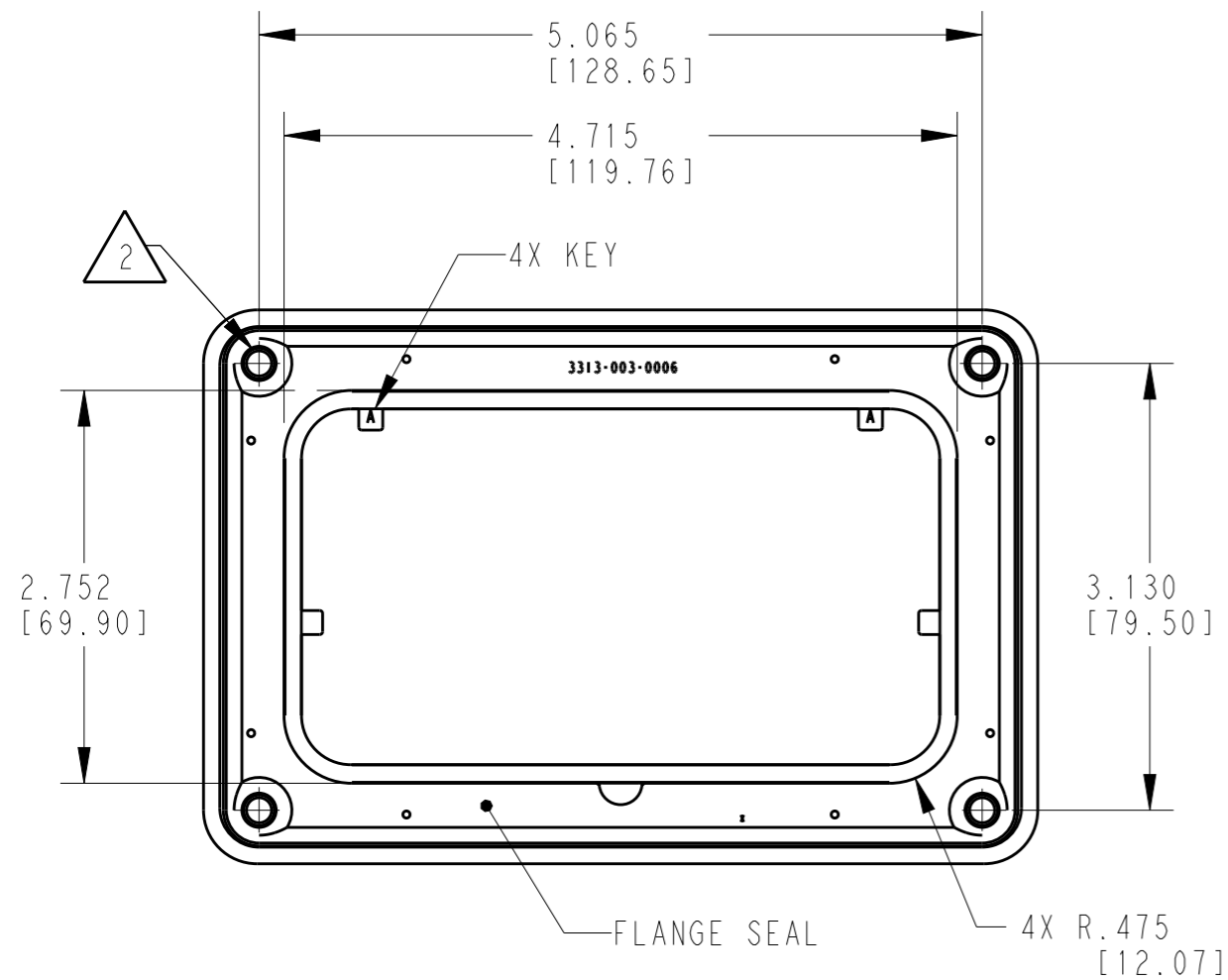


P	LTR	DESCRIPTION	DATE	DWN	APVD
	C1	REVISED PER PCN E-18-003645	08MAR2018	AJ	DM
	C2	REVISED PER PCN E-18-016049	10OCT2018	SS	DM



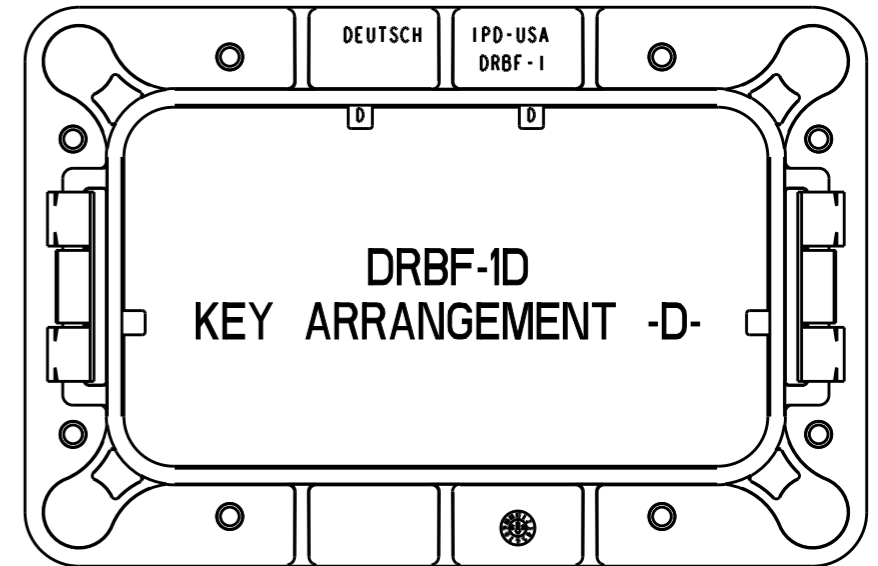
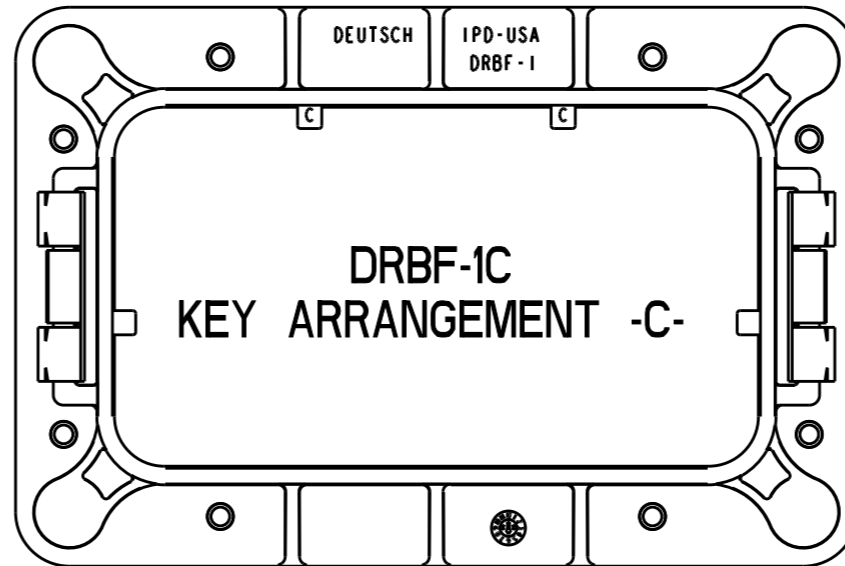
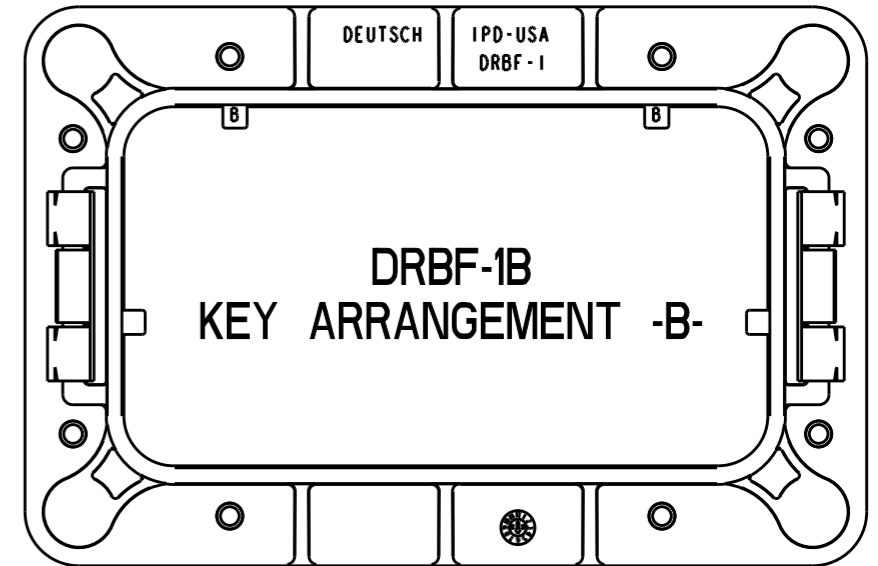
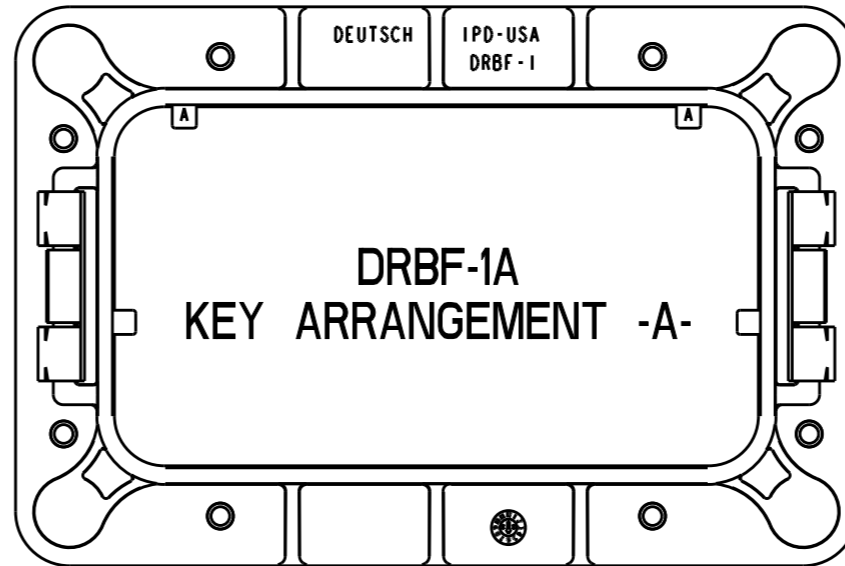
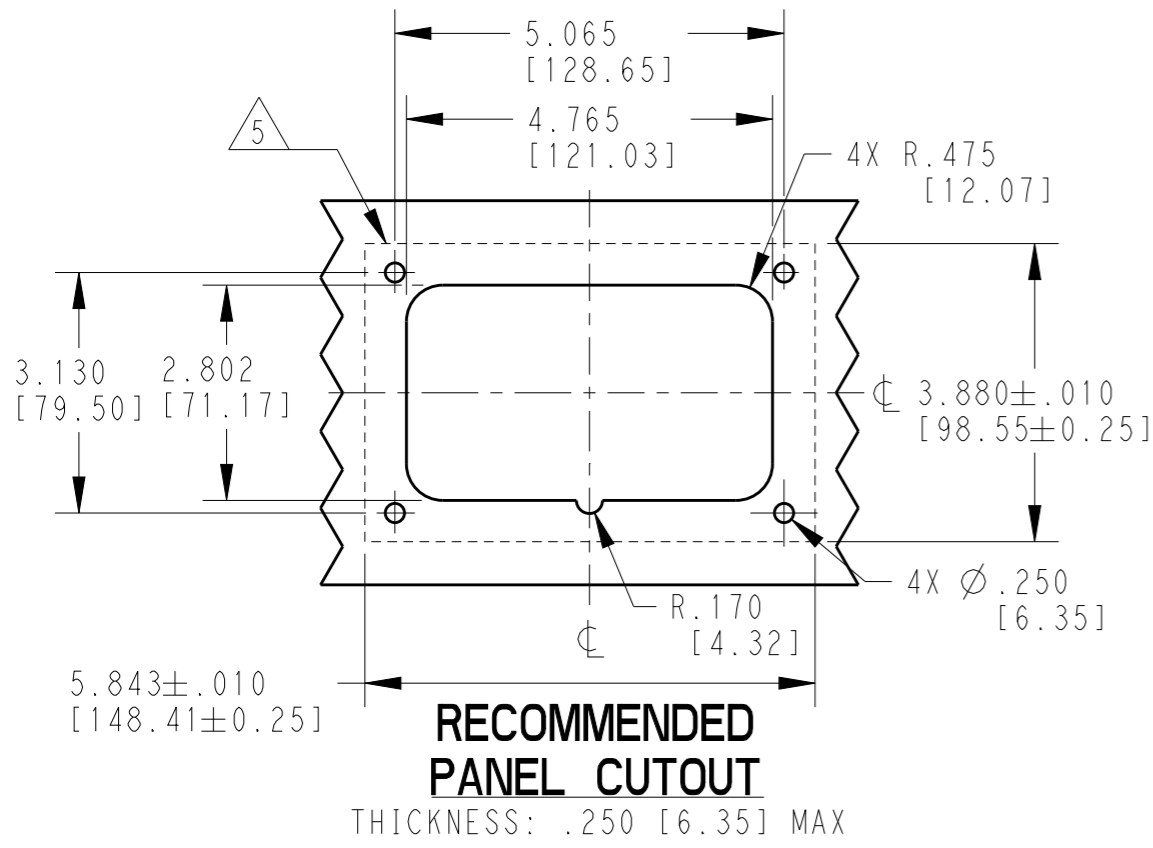
- 6. SEE SHEET 2 FOR OTHER KEY ARRANGEMENTS.
- 5 SURFACE FINISH: 32 RMS [0.80µm] OR BETTER
- 4 MATERIAL- FLANGE: PA66 GF15 (BLACK)  
 FLANGE SEAL: VMO (RED-ORANGE)  
 RECEPTACLE RETAINING CLIP: STEEL
- 3. THIS PART MATES WITH DRB12-102PXNE-XXXX, DRB12-128PXNE-XXXX & DRB12-128PXE-XXXX RECEPTACLE AND DRB16-102SXE-XXXX & DRB16-128SXE-XXXX PLUG. (X = A,B,C,D KEYS; XXXX = ALL MODIFICATIONS) CONSULT FACTORY FOR MODS.
- 2 RECOMMENDED SCREW: 10-14 [M5.28 X 1.81] SINGLE HELIX THREAD. SCREW LENGTH DEFINED BY CUSTOMER. RECOMMENDED TORQUE 20 +5/-0 IN-LB. [2.26 +0.6/-0 NM]. CUSTOMER SUPPLIED.
- 1. PANEL CUTOUT TOLERANCE ±.010 [0.25].

TE INTERNAL PN	DEUTSCH PN
DRBF-1A	DRBF-1A
DRBF-1B	DRBF-1B
DRBF-1C	DRBF-1C
DRBF-1D	DRBF-1D

THIS DRAWING IS A CONTROLLED DOCUMENT.		DWN J. APOSTOL 13DEC2012	TE Connectivity	
DIMENSIONS: in [mm]		CHK PAULA CARNAHAN 18DEC2012		
TOLERANCES UNLESS OTHERWISE SPECIFIED:		APVD D. MEYER 18DEC2012	NAME INTERFACE FLANGE KEYS A, B, C AND D DRB SERIES COLOR: BLACK	
0 PLC ±		PRODUCT SPEC -	SIZE A3	CAGE CODE 4AFU8
1 PLC ±		APPLICATION SPEC -	DRAWING NO C-DRBF-1X	RESTRICTED TO -
2 PLC ±		WEIGHT 145 g	SCALE 3:4	SHEET 1 OF 2
3 PLC ±.025 [0.64]		CUSTOMER DRAWING	REV C2	
4 PLC ±				
ANGLES ±°30'0"				
FINISH				

THIS DRAWING IS UNPUBLISHED  
 RELEASED FOR PUBLICATION 2018  
 © COPYRIGHT 2012 BY TE CONNECTIVITY ALL RIGHTS RESERVED.

REVISIONS					
P	LTR	DESCRIPTION	DATE	DWN	APVD
-	-	SEE SHEET 1	-	-	-



THIS DRAWING IS A CONTROLLED DOCUMENT.		DWN J. APOSTOL 13DEC2012																
DIMENSIONS: in [mm]		CHK PAULA CARNAHAN 18DEC2012																
TOLERANCES UNLESS OTHERWISE SPECIFIED:		APVD D. MEYER 18DEC2012	NAME INTERFACE FLANGE KEYS A, B, C AND D DRB SERIES COLOR: BLACK															
<table border="0"> <tr><td>0 PLC</td><td>±</td></tr> <tr><td>1 PLC</td><td>±</td></tr> <tr><td>2 PLC</td><td>±</td></tr> <tr><td>3 PLC</td><td>±.025 [0.64]</td></tr> <tr><td>4 PLC</td><td>±</td></tr> <tr><td>ANGLES</td><td>±0° 30' 0"</td></tr> </table>		0 PLC	±	1 PLC	±	2 PLC	±	3 PLC	±.025 [0.64]	4 PLC	±	ANGLES	±0° 30' 0"	PRODUCT SPEC -	SIZE A3	CAGE CODE 4AFU8	DRAWING NO C-DRBF-1X	RESTRICTED TO -
0 PLC	±																	
1 PLC	±																	
2 PLC	±																	
3 PLC	±.025 [0.64]																	
4 PLC	±																	
ANGLES	±0° 30' 0"																	
MATERIAL 4	FINISH	APPLICATION SPEC -	WEIGHT 145 g	SCALE 3:4	SHEET 2 OF 2	REV C2												
CUSTOMER DRAWING																		