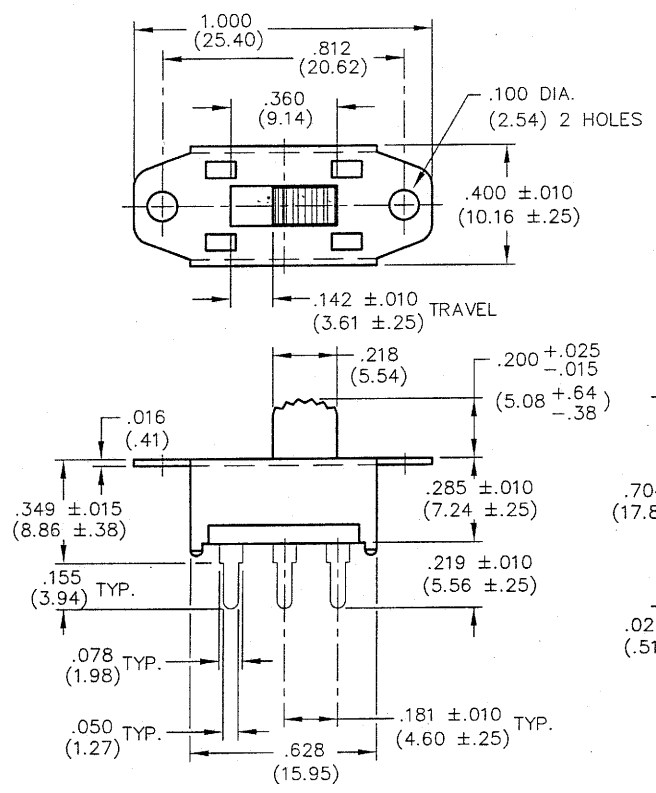


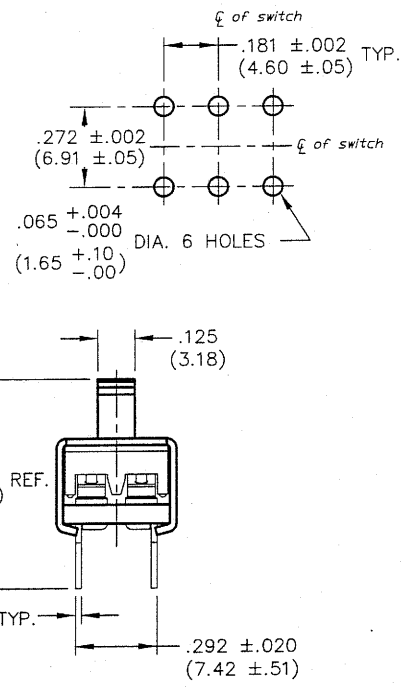
DIMENSIONS IN INCHES (MILLIMETERS)  
DO NOT SCALE DRAWING .....

Dwg. No.  
**GF-126-0001**

E  
D  
C  
B  
A



**P.C. LAYOUT**



1 2 3 4 5 6 7 8 9 10

FORM-B4  
**REVISIONS**  
 0  
 RELEASED: 11-02-2005  
 DGW  
 NOV 28 2005

**CW INDUSTRIES**  
 Southampton, Pa. 18966

TOLERANCES UNLESS OTHERWISE SPECIFIED

2 Place Decimal ±.010	METRIC
3 Place Decimal ±.005	1 Place Dec. ±.25mm
Angles ..... ±1°	2 Place Dec. ±.13mm

Made for: CW IND.  
 Drawn by: DGW 11-02-2005  
 Checked by: *A. Gold 11-21-05*  
 Approval: *B. S. ... 11-21-05*

Title: **MINI-SLIDE SWITCH ASSEMBLY DP/DT**

Division: **SWITCH**

Dwg. No. **GF-126-0001**