

Type MRCBP4-PS Manual Reset Circuit Breaker Automotive Type III Mini Blade – Low Profile



www.optifuse.com

(619) 593-5050

Specifications:

Mini Blade Manual Reset Type Circuit Breaker - Low Profile

Voltage: 58VDC

Amperage: 5A, 7.5A, 10A, 15A, 20A, 25A, 30A

Materials: Thermoplastic – (UL Rated 94-V-0)

Terminals: Tin plated Copper Alloy

Testing Standard: SAE J553 Type III, IEC 60934

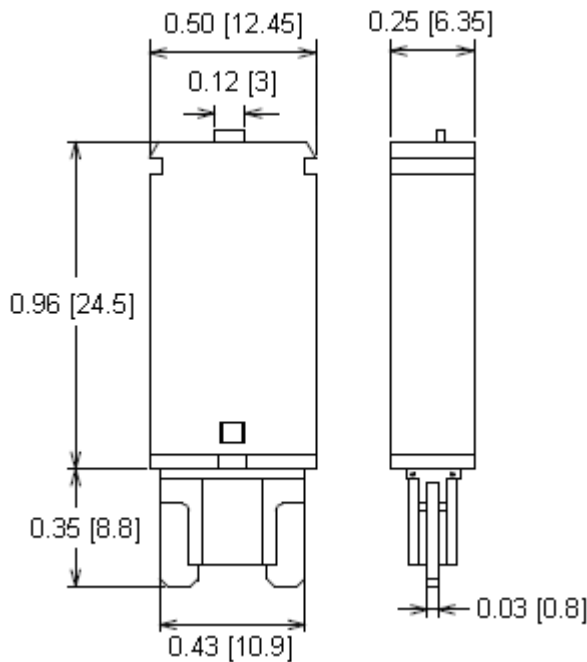
Cover is color coded to Amperage Ratings

Operating Temperature: -40° C ~ 85° C

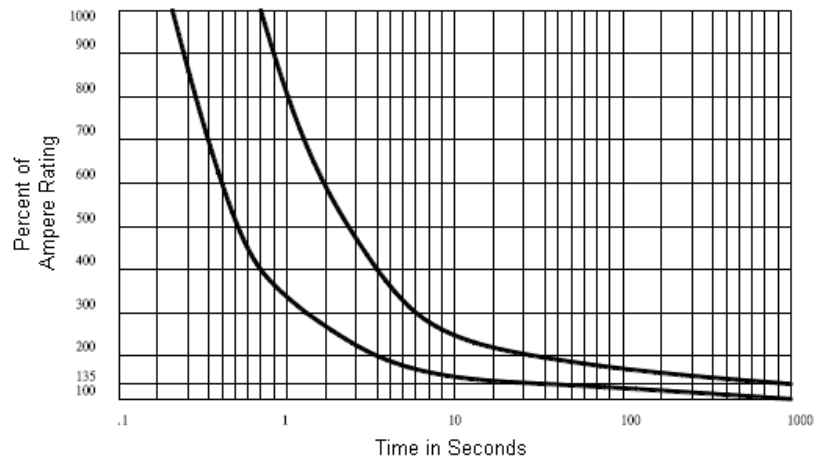
| Part Number | Amperage | Body Color |
|----------------|----------|------------|
| MRCBP4-PS-5A | 5A | Tan |
| MRCBP4-PS-7.5A | 7.5A | Brown |
| MRCBP4-PS-10A | 10A | Red |
| MRCBP4-PS-15A | 15A | Blue |
| MRCBP4-PS-20A | 20A | Yellow |
| MRCBP4-PS-25A | 25A | White |
| MRCBP4-PS-30A | 30A | Green |

| Ampere Rated | Interrupt Rating |
|-----------------|------------------|
| 5A-10A version | 100A @ 58 VDC |
| 15A version | 150A @ 58 VDC |
| 20A version | 200A @ 58 VDC |
| 25A-30A version | 300A @ 58 VDC |

Mechanical Dimensions: Inches [mm]



Part number: MRCBP4-PS
Time Current Curves



| | |
|--|---|
| | -Operation beyond the specified maximum ratings or improper use may result in damage and possible electrical arcing and/or flame. |
| | -Device are intended for occasional overcurrent protection. Application for repeated overcurrent condition and/or prolonged trip are not anticipated. |
| | -Avoid contact of device with chemical solvent. Prolonged contact will damage the device performance. |
| | -Not intended for submersible water applications. |

Note: All specifications subject to change without notice.

Rev A 06/2011 - Page: 1/1
Code B01-01H