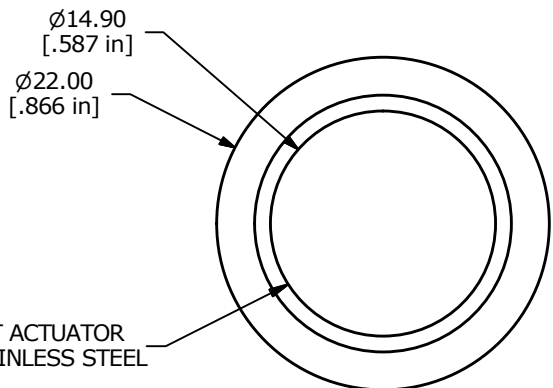
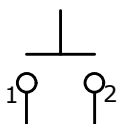


PANEL MOUNTING

MAX. PANEL THICKNESS 8.0mm



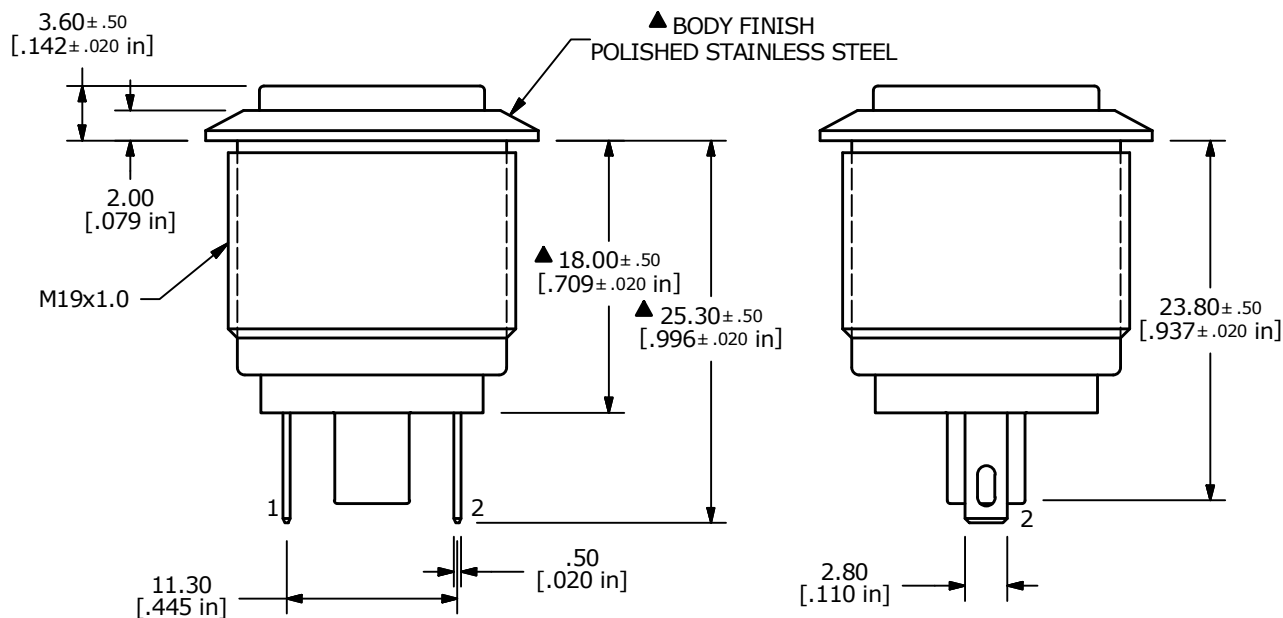
▲ RAISED FLAT ACTUATOR  
POLISHED STAINLESS STEEL



▲ CIRCUIT: SPST

SWITCH FUNCTION	
POS. 1	POS. 2
OFF	(ON)
OPEN	1-2

(ON) = MOMENTARY



▲ BODY FINISH  
POLISHED STAINLESS STEEL

- NOTE:
- ALL DIMENSIONS IN MM [INCH]
  - GENERAL TOLERANCE: X.X = ± 0.4  
X.XX = ± 0.25
  - TERMINAL NOS. FOR REF. ONLY
  - FUNCTION: SPST
  - RATING: 2A @ 36VDC
  - CONTACT RESISTANCE: 50mΩ MAX. @ 1A 12VDC
  - INSULATION RESISTANCE: 1,000MΩ @ 500VDC
  - DIELECTRIC STRENGTH: 2,000VAC MIN. FOR 1 MINUTE
  - ELECTRICAL LIFE: 200,000 CYCLES
  - CONTACT MATERIAL: SILVER PLATED COPPER
  - OPERATING TEMPERATURE: -20°C TO 55°C
  - INGRESS PROTECTION: IP65
  - ▲ DENOTES CRITICAL PARAMETER
  - HARDWARE INCLUDED: HEX NUT AND O-RING (NOT SHOWN)



C	23593	UPDATED RATING TO 2A @ 36VDC	10/5/18	MJR
B	20339	CORRECT TEMP RATING AND CONVERT	12/14/11	BMA
REV	PCR NO	DESCRIPTION	DATE	BY

TITLE PV1H240SS				
SCALE	DATE	DR	DWG	REV
2:1	12/14/2011	BMA	52-PV1H240SS	C

THE INFORMATION CONTAINED IN THIS DOCUMENT IS PROPRIETARY TO E-SWITCH AND IS NOT TO BE COPIED OR TRANSFERRED