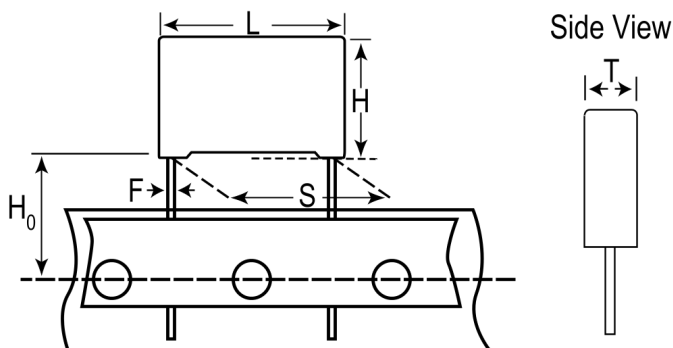


R76IN3560CK30J

Aliases (76IN3560CK30J)

R76, Film, Double Metallized Polypropylene, Automotive Grade, 0.56 uF, 5%, 250 VDC, 85°C, Lead Spacing = 22.5mm



Click [here](#) for the 3D model.

Dimensions

L	26.5mm +0.3/-0.5mm
H	17mm +0.1/-0.5mm
T	8.5mm +0.2/-0.5mm
S	22.5mm +/-0.4mm
H ₀	18.5mm +/-0.5mm
F	0.8mm +/-0.05mm

Packaging Specifications

Packaging	T&R, Large
Packaging Quantity	450

General Information

Series	R76
Dielectric	Double Metallized Polypropylene
Style	Radial
Features	Automotive Grade, Pulse
RoHS	Yes
Lead	Wire Leads
Qualifications	AEC-Q200
AEC-Q200	Yes

Specifications

Capacitance	0.56 uF
Capacitance Tolerance	5%
Voltage AC	180 VAC
Voltage DC	250 VDC
Temperature Range	-55/+110°C
Rated Temperature	85°C
Dissipation Factor	0.03% 1kHz, 0.06% 10kHz
Insulation Resistance	53.5714 GOhms
Max dV/dt	300 V/us
Resistance	5.68 mOhms (100kHz)
Ripple Current	9.6 Amps (100kHz 85C), 168 Amps (Peak)
Inductance	16 nH