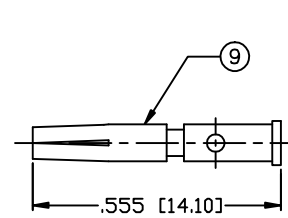
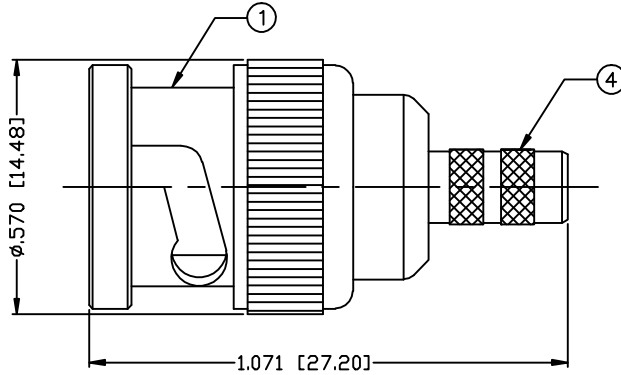


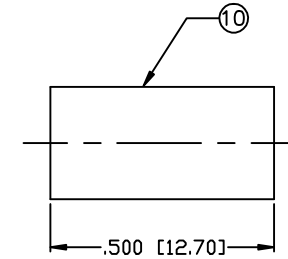
THIS DRAWING CONTAINS INFORMATION PROPRIETARY TO RF INDUSTRIES.
 ANY UNAUTHORIZED USE OF THIS DRAWING IS EXPRESSLY PROHIBITED
 WITHOUT WRITTEN PERMISSION FROM RF INDUSTRIES.
 ANY VIOLATION IS PUNISHABLE UNDER U.S. COPYRIGHT LAWS.

ALL DIMENSIONS ARE REFERENCE ONLY

PART NO.		RP-1106-C1		
REV	DESCRIPTION	DWN	DATE	APPROVED
-	ENGINEERING RELEASE	JDM	8/1/00	JDMc



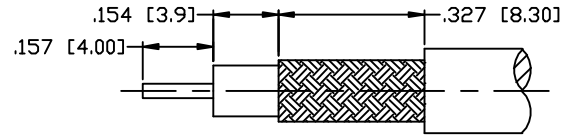
RECOMMENDED CRIMP DIE: .068



RECOMMENDED CRIMP DIE: .213

SPECIFICATIONS:

IMPEDANCE: 50 Ohms
 FREQUENCY RANGE: 0-4 GHz
 VSWR: 1.3 Max.
 WORKING VOLTAGE: 500 V rms @ sea level
 TEMPERATURE RANGE: -65°C TO 165°C
 INSULATION RESISTANCE: 5k M Ohms min.
 FOR RG-142, RG-55, RG-223



RECOMMENDED STRIPPING DIM'S

1	SHELL	1	BRASS	NICKEL, 100μ"
2	BODY	1	BRASS	NICKEL, 100μ"
3	INSULATOR	1	PTFE	----
4	FERREL STUD	1	BRASS	NICKEL, 100μ"
5	GASKET	1	RUBBER	----
6	RETAINING RING	1	BRASS	NICKEL, 100μ"
7	SPRING	1	SK-5	NICKEL, 200μ"
8	WASHER	1	BRASS	NICKEL, 100μ"
9	PIN	1	PHOS B.	GOLD, 3μ"
10	FERRULE	1	BRASS	NICKEL, 100 μ"
11				
12				
13				
14				
#	DESCRIPTION	QTY	MATRL	FINISH

008974	
DRAWN	JDM
CHECKED	
ORJ DRAWN	JDMc
APPROVALS	DATE
	8/21/01
	6/9/00

UNLESS OTHERWISE SPECIFIED:
 1. REMOVE ALL BURRS
 2. BREAK ALL CORNERS & EDGES .005 R. MAX.
 3. CHAMFER 1ST & LAST THREADS 45°
 4. SURFACE ROUGHNESS 63 FINISH MIL-STD-10
 5. DIAMETERS ON COMMON CENTERS TO BE CONCENTRIC WITHIN .002 T.I.R.
 6. ALL DIMENSIONS ARE AFTER PLATING.

DIMENSIONS ARE IN INCHES AND [MILLIMETERS]
 UNLESS OTHERWISE NOTED TOLERANCES ARE:
 DECIMALS DIAMETER
 .xxx±.003 [.08] .xxx±.001 [.03]
 .xx±.005 [.13] .xx±.003 [.08]

RFconnectors 7610 MIRAMAR RD
 SAN DIEGO, CA 92126
 (858) 549-6340
 (858) 549-6345 FAX
 DIVISION OF RF INDUSTRIES, LTD.

BNC, REVERSE POLARITY

CRIMP, PLUG

SIZE	CABLE GROUP	DWG NO.	REV
A	C1	RP-1106-C1	-
SCALE: NTS		CAD FILE OUTLINE	SHEET 1 OF 1