

DWG. NO. SJ01T28T-E
 SYM. 1

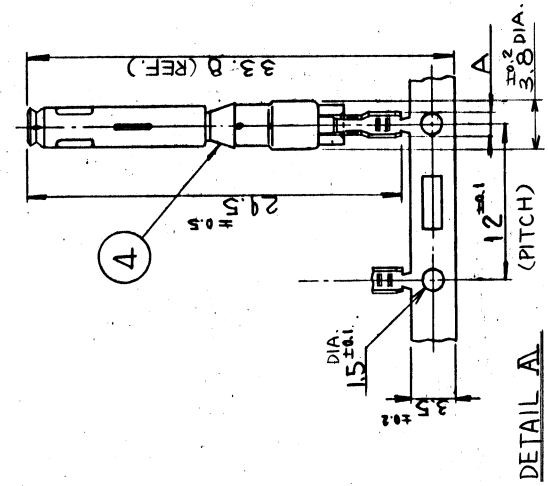
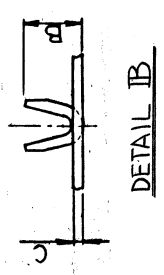
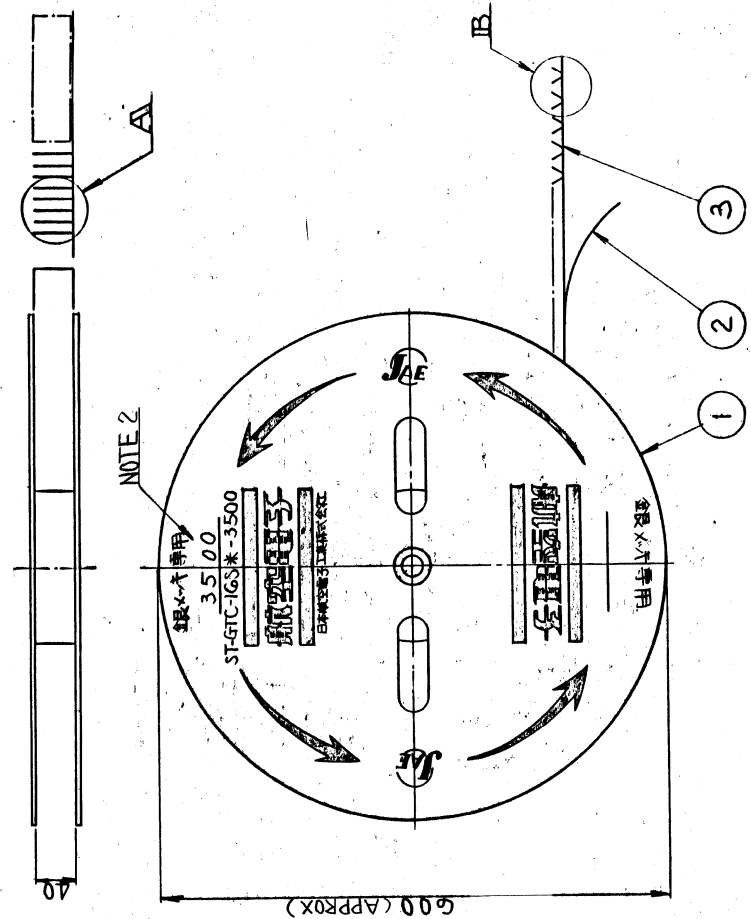


TABLE-1

PART NUMBER	(REF)		COLOR	APPLICABLE WIRE	
	A	B		m ²	AWG NO.
ST-GTC-1GS1-3500	2.2	2.3	RED	0.2~0.5	#24~#20
ST-GTC-1GS2-3500	2.7	3.1	BLUE	0.5~1.25	#20~#16
ST-GTC-1GS3-3500	3.2	3.7G	WHITE	1.25~2	#16~#14

NOTE
 1. NO PLATING ON THE SHEARED CUT-END.
 2. PART DESCRIPTION AND NUMBER OF CONTACTS OF A REEL ARE MARKED ON THE MAGAZINE AS SHOWN.

ITEM	DESCRIPTION	QTY	MATERIAL	FINISH
4	CLIP	3500	SYNTHETIC RESIN	COLOR: SEE TABLE-1
3	SOCKET CONTACT	3500	COPPER ALLOY	SILVER PLATE
2	TAPE	1	PAPER	
1	MAGAZINE	1	PAPER	

DATE: 3. APR '81
 DRAWN: KOMATSU
 CHECKED: M. M. S. F. M. W.
 APP'D: T. Yamada.
 APP'D: H. K. Yamada.

UNLESS OTHERWISE SPECIFIED
 DIMENSIONS ARE IN MILLIMETERS
 TOLERANCES ON:
 FRACTIONS: DECIMALS: ANGLES:
 TREATMENT OR FINISH:

TITLE: ST-GTC-1GS* - 3500 (MAGAZINE ASSEMBLY)

JAE-CONNECTOR.COM
 JAPAN AVIATION ELECTRONICS CO., LTD. FACTORY
 Reference Only
 NAKAGAMI-CHO, AKISHIMA-SHI
 TOKYO, JAPAN

DWG. NO. SJ01T28T-E
 SHEET