

THIS DRAWING IS UNPUBLISHED. RELEASED FOR PUBLICATION  
 © COPYRIGHT copyright.d8Te- ALL RIGHTS RESERVED.

REVISIONS					
P	LTR	DESCRIPTION	DATE	DWN	APVD
A2		ECR-16-010931	02AUG2016	L.Z	X.X
B		ECR-19-009136	30JUL2019	C.D	C.W

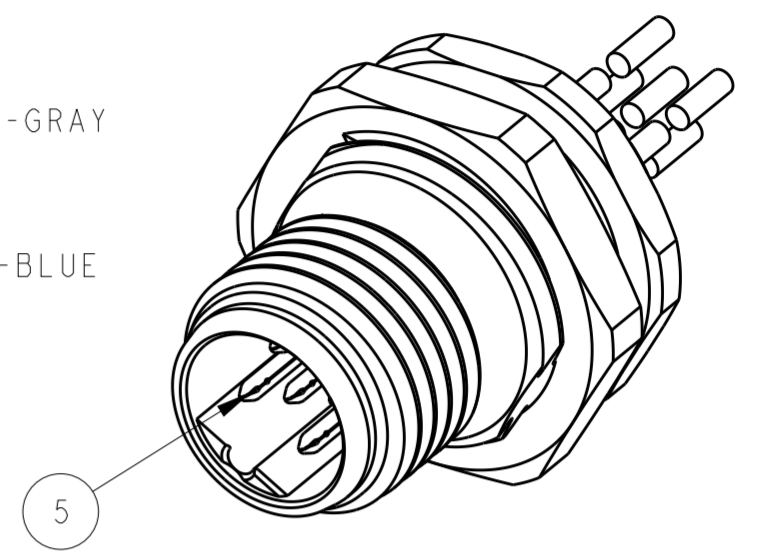
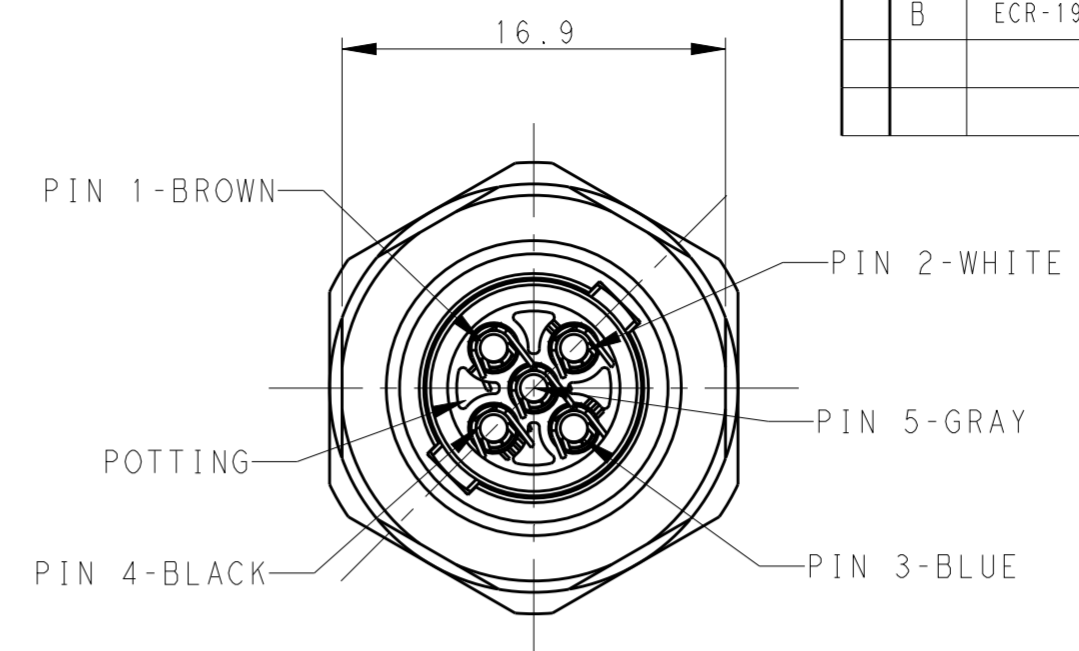
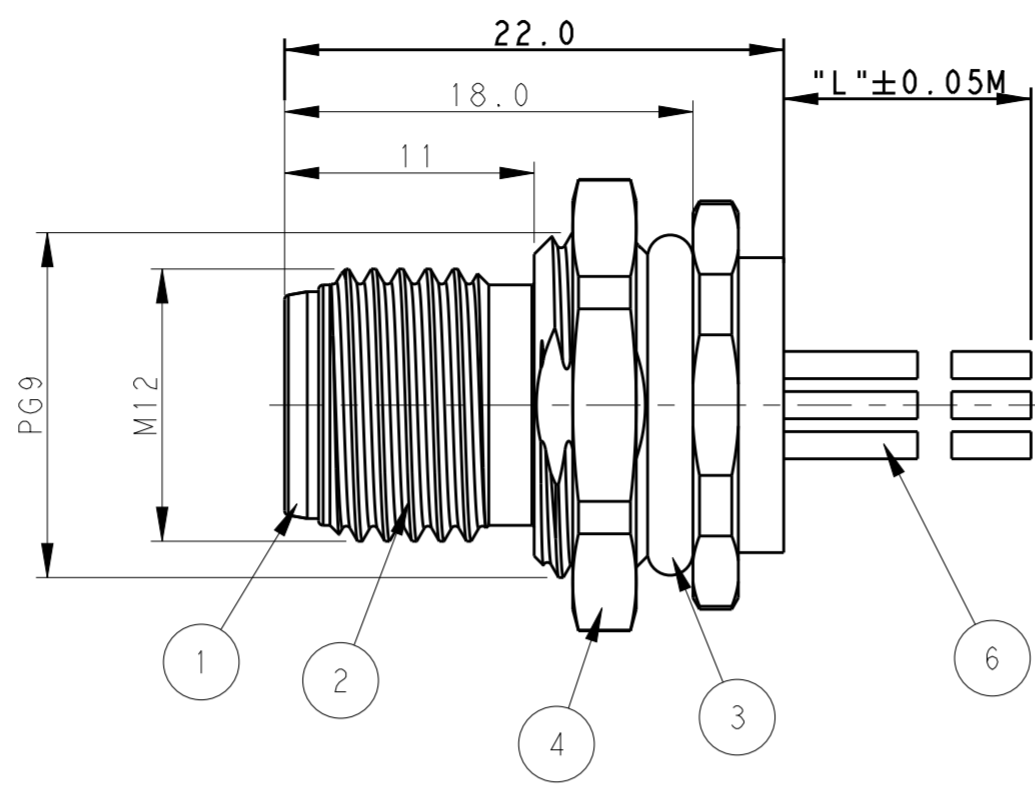
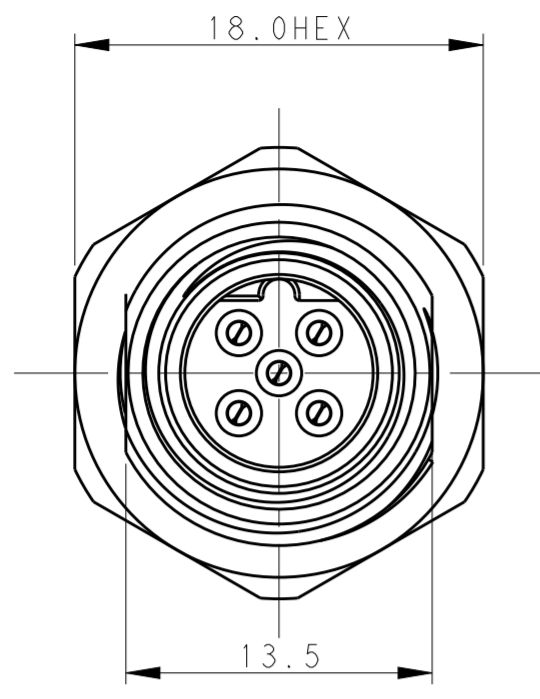


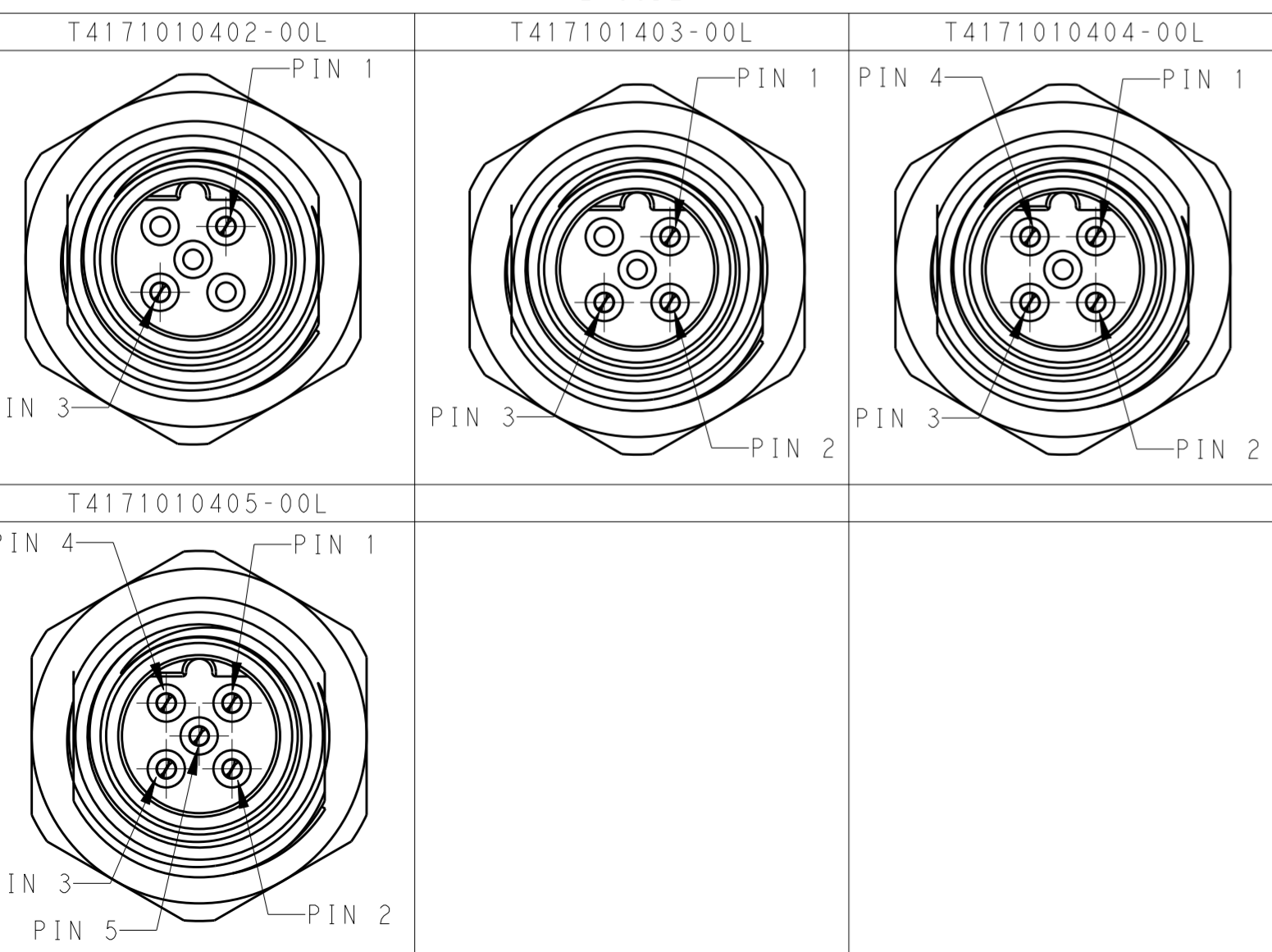
TABLE 1

TECHNICAL DATA	T4171010402-00L	T4171010403-00L	T4171010404-00L	T4171010405-00L
RATED VOLTAGE	250V	250V	250V	60V
RATED CURRENT	4A	4A	4A	4A
POLLUTION DEGREE	3	3	3	3
OVERVOLTAGE CATEGORY	II	II	II	II
MATERIAL GROUP	II	II	II	II
CONTACT RESISTANCE	<=10mΩ	<=10mΩ	<=10mΩ	<=10mΩ
INSULATION RESISTANCE	>100MΩ	>100MΩ	>100MΩ	>100MΩ
DEGREE OF PROTECTION	IP67	IP67	IP67	IP67
OPERATION TEMPERATURE	-40~85°C	-40~85°C	-40~85°C	-40~85°C

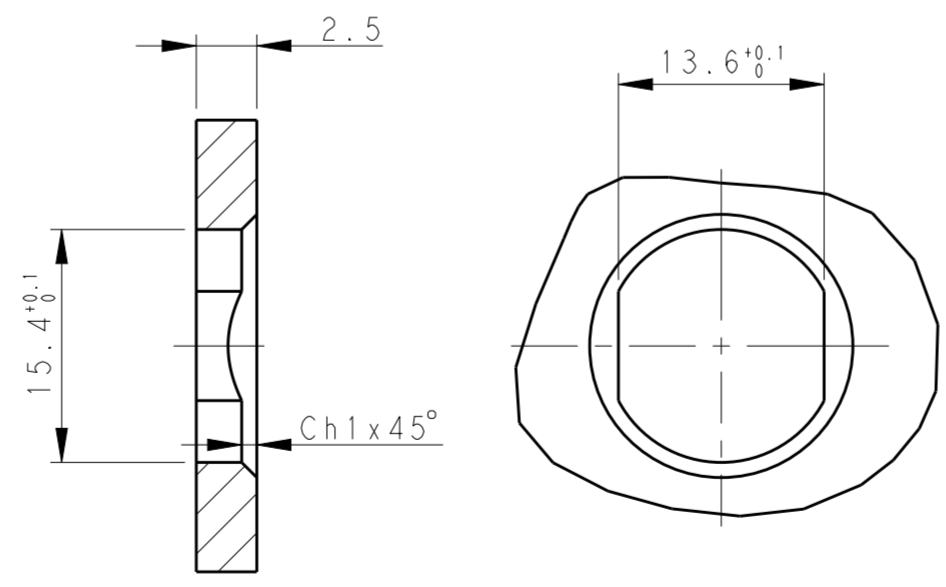
NOTE:  
 1. TECHNICAL DATA: SEE TABLE 1  
 2. PRODUCT COMPLIES WITH IEC61076-2-101  
 3. RECOMMENDED MOUNT PANEL SEE DETAIL  
 4. CABLE LENGTH SEE TABLE 2

注释:  
 1: 技术参数, 见表1  
 2: 产品符合标准 IEC61076-2-101  
 3: 推荐开孔尺寸详见如图示  
 4: 线长度见表2

PIN ARRANGEMENT B-CODE



CABLE CHARACTERISTIC	CABLE LENGTH "L"	DESCRIPTION	POS	TABLE 2 PN
WIRES: 0.34MM^2(22AWG) WIRE PN AND COLOR: 1(BR)/2(WH)/3(BL)/4(BK)/5(GR)	-001: 0.2M -002: 0.5M -003: 1.0M -004: 1.5M -005: 3.0M -006: 5.0M -007: 7.0M -008: 10.0M	RPC-M12B-MF-5CON-PG9-**LAU <sup>4</sup>	5	T4171010405-00L
		RPC-M12B-MF-4CON-PG9-**LAU <sup>4</sup>	4	T4171010404-00L
		RPC-M12B-MF-3CON-PG9-**LAU <sup>4</sup>	3	T4171010403-00L
		RPC-M12B-MF-2CON-PG9-**LAU <sup>4</sup>	2	T4171010402-00L



RECOMMENDED PANEL CUTOUT

COMMENT	MATERIAL	DESCRIPTION	ITEM
FLASH GOLD	COPPER ALLOY	CABLE CONTACT	6 2 3 4 5
-	COPPER ALLOY	METAL NUT	5 2 3 4 5
BLACK	RUBBER	O-RING	4 1 1 1 1
-	COPPER ALLOY	M12, MALE, METAL BODY	3 1 1 1 1
BLACK	NYLON	M12, MALE HSG, B CODE, 5PINS	2 1 1 1 1

THIS DRAWING IS A CONTROLLED DOCUMENT.

DWN: BO GAO 29MAR2016  
 CHK: KOBBY ZHAO 29MAR2016  
 APVD: XIANG XU 29MAR2016

TE Connectivity

M12 PANEL MOUNT CONNECTOR B CODE, MALE, REAR MOUNTING

SIZE: A2 CAGE CODE: - DRAWING NO: T417101040X00L RESTRICTED TO: B

SCALE: 3:1 SHEET: 1 OF 1 REV: B