

1

2

3

4

A

A

B

B

C

C

D

D

U_TE0722
TE0722.SchDoc



Serial
Serial
Serialnumber 6,3 x 6.3mm



Title: TE0722 - Overview		
A4	Number: TE0722 TE0722-02-07S-1C	Rev. 02
Date: 2015-10-23	Copyright: Trenz Electronic GmbH	Page1 of 7
Filename: SoftPropeller_V1_40P14.SchDoc		

1

2

3

4

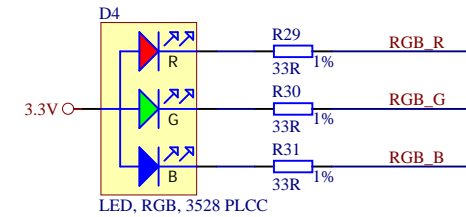
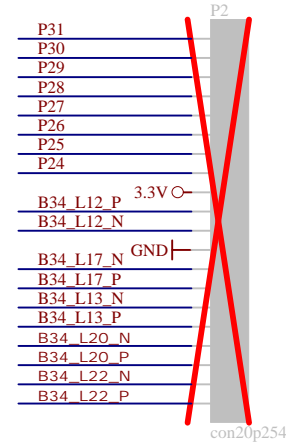
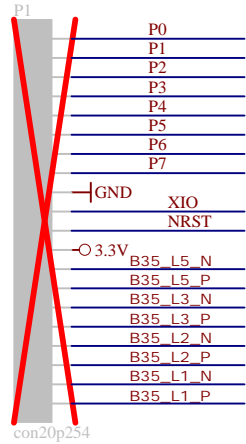
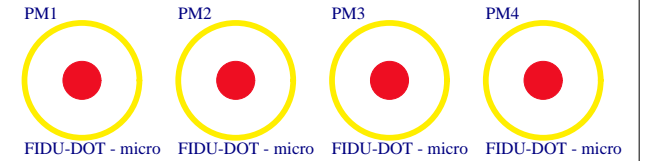
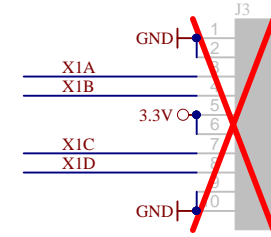
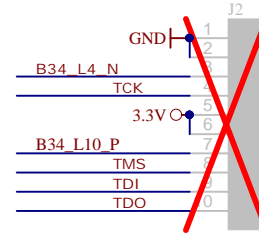
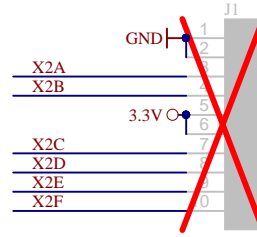
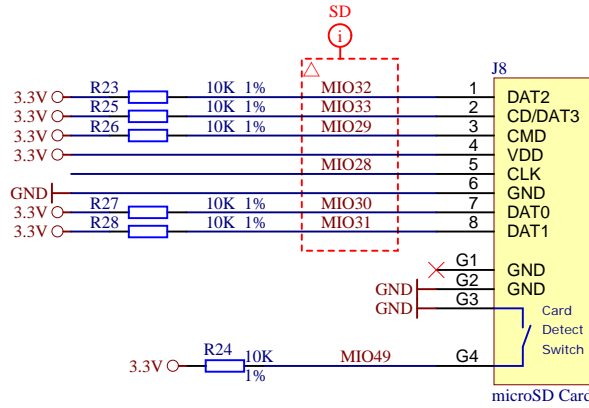
U_FPGA_B34
FPGA_B34.SchDoc

U_FPGA_B35
FPGA_B35.SchDoc

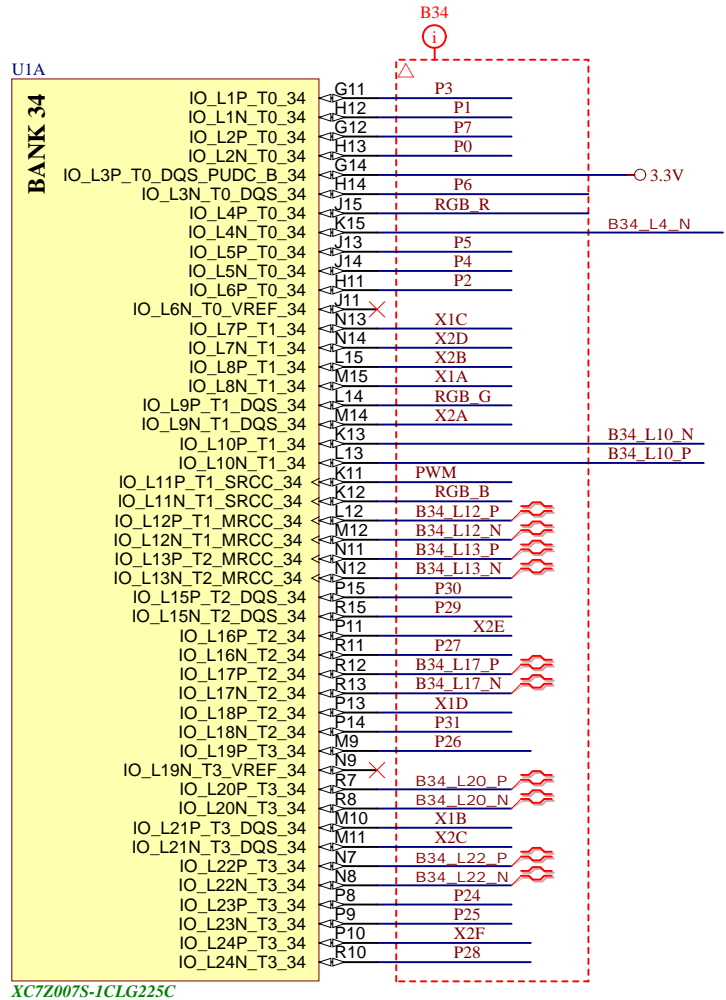
U_FPGA_MIO
FPGA_MIO.SchDoc

U_FPGA_PWR
FPGA_PWR.SchDoc

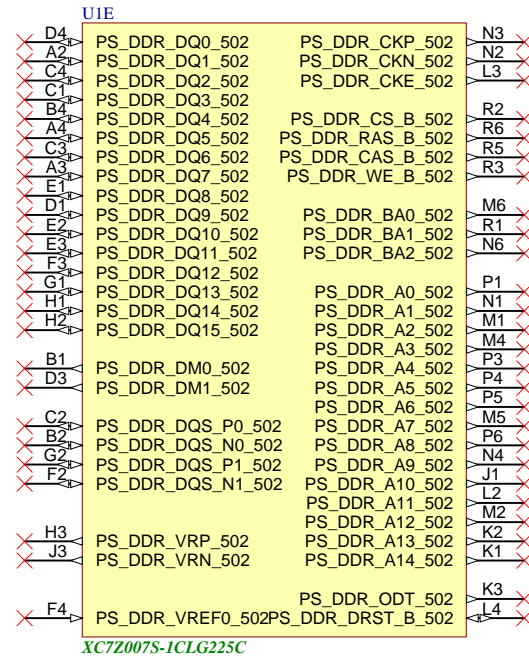
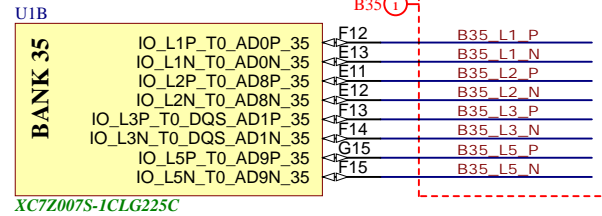
U_POWER
POWER.SchDoc



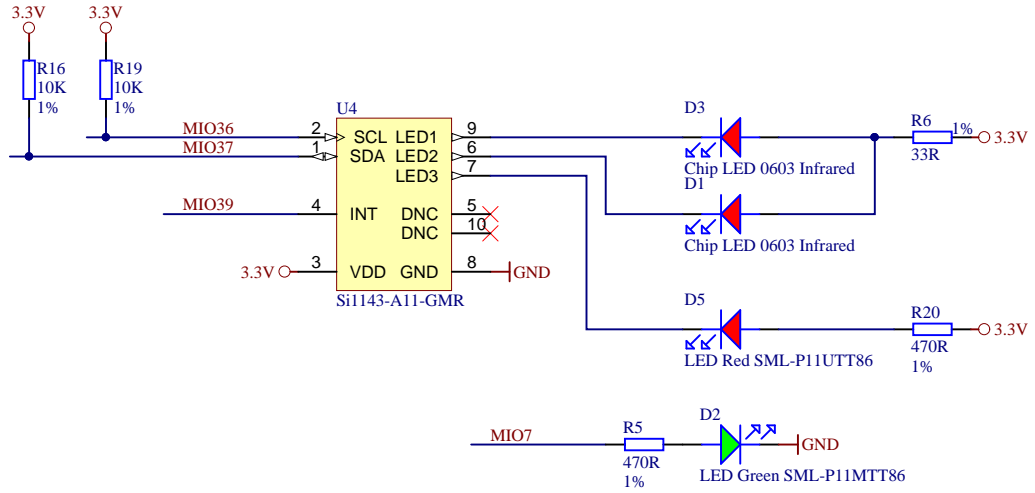
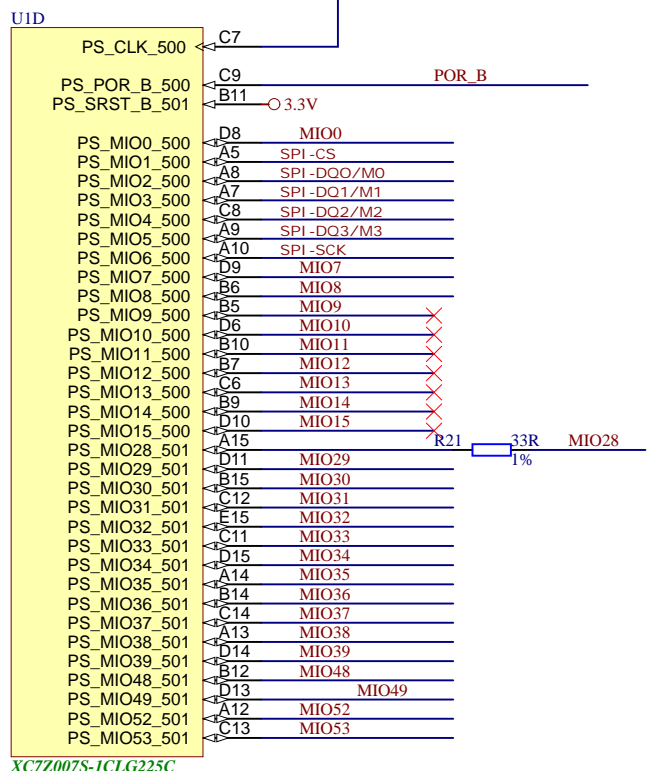
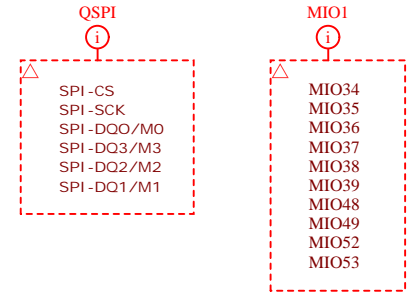
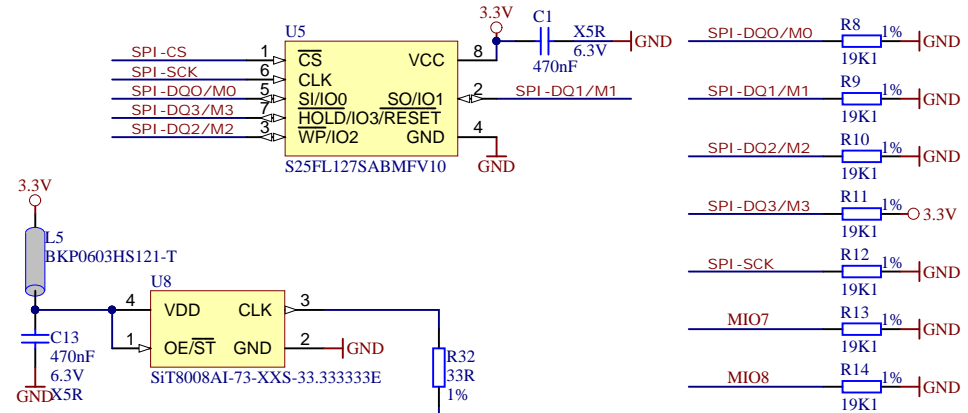
	Title: TE0722 - Connectors		
	A4	Number: TE0722 TE0722-02-07S-1C	Rev. 02
	Date: 2015-10-23	Copyright: Trenz Electronic GmbH	Page2 of 7
	Filename: TE0722.SchDoc		



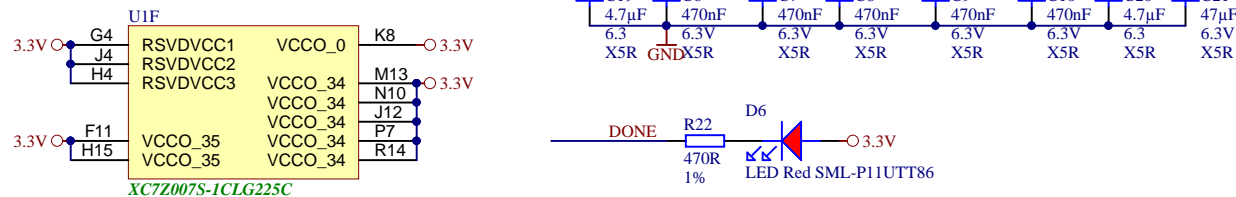
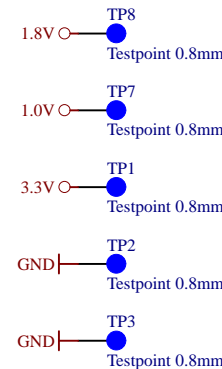
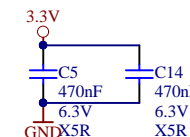
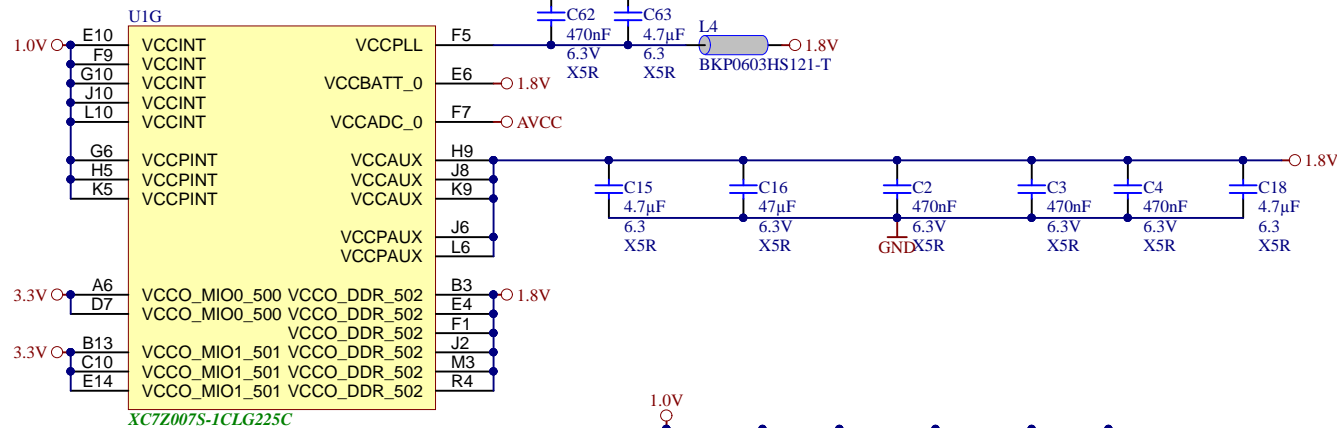
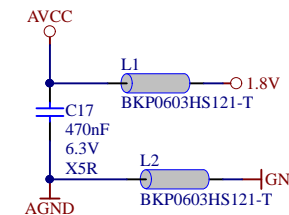
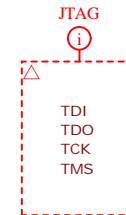
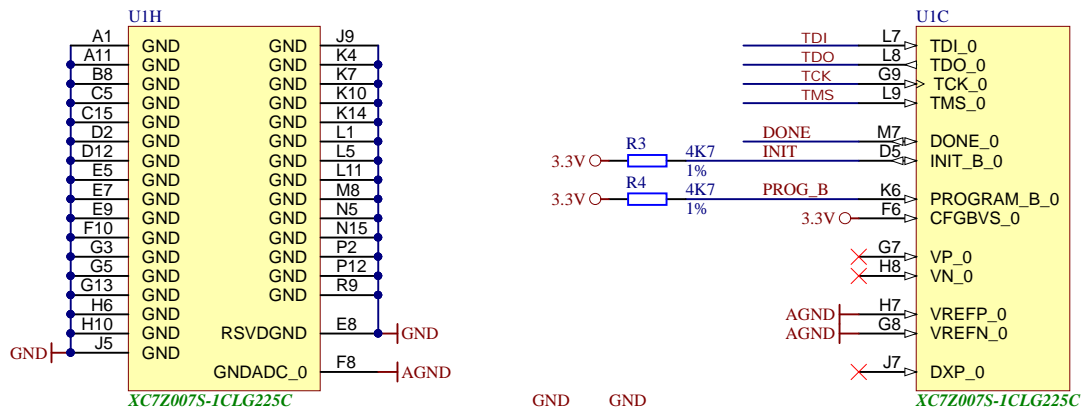
	Title: TE0722 - B34		
	A4	Number: TE0722 TE0722-02-07S-1C	Rev. 02
	Date: 2015-10-23	Copyright: Trenz Electronic GmbH	Page3 of 7
	Filename: FPGA_B34.SchDoc		



	Title: TE0722 - B35		
	A4	Number: TE0722 TE0722-02-07S-1C	Rev. 02
	Date: 2015-10-23	Copyright: Trenz Electronic GmbH	Page 4 of 7
	Filename: FPGA_B35.SchDoc		



Title: TE0722 - FPGA MIO		
A4	Number: TE0722 TE0722-02-07S-1C	Rev. 02
Date: 2015-10-23	Copyright: Trenz Electronic GmbH	Page5 of 7
Filename: FPGA_MIO.SchDoc		



		Title: TE0722 - FPGA PWR	
		A4	Number: TE0722 TE0722-02-07S-1C
Date: 2015-10-23		Copyright: Trenz Electronic GmbH	Rev. 02
Filename: FPGA_PWR.SchDoc		Page 6 of 7	

1

2

3

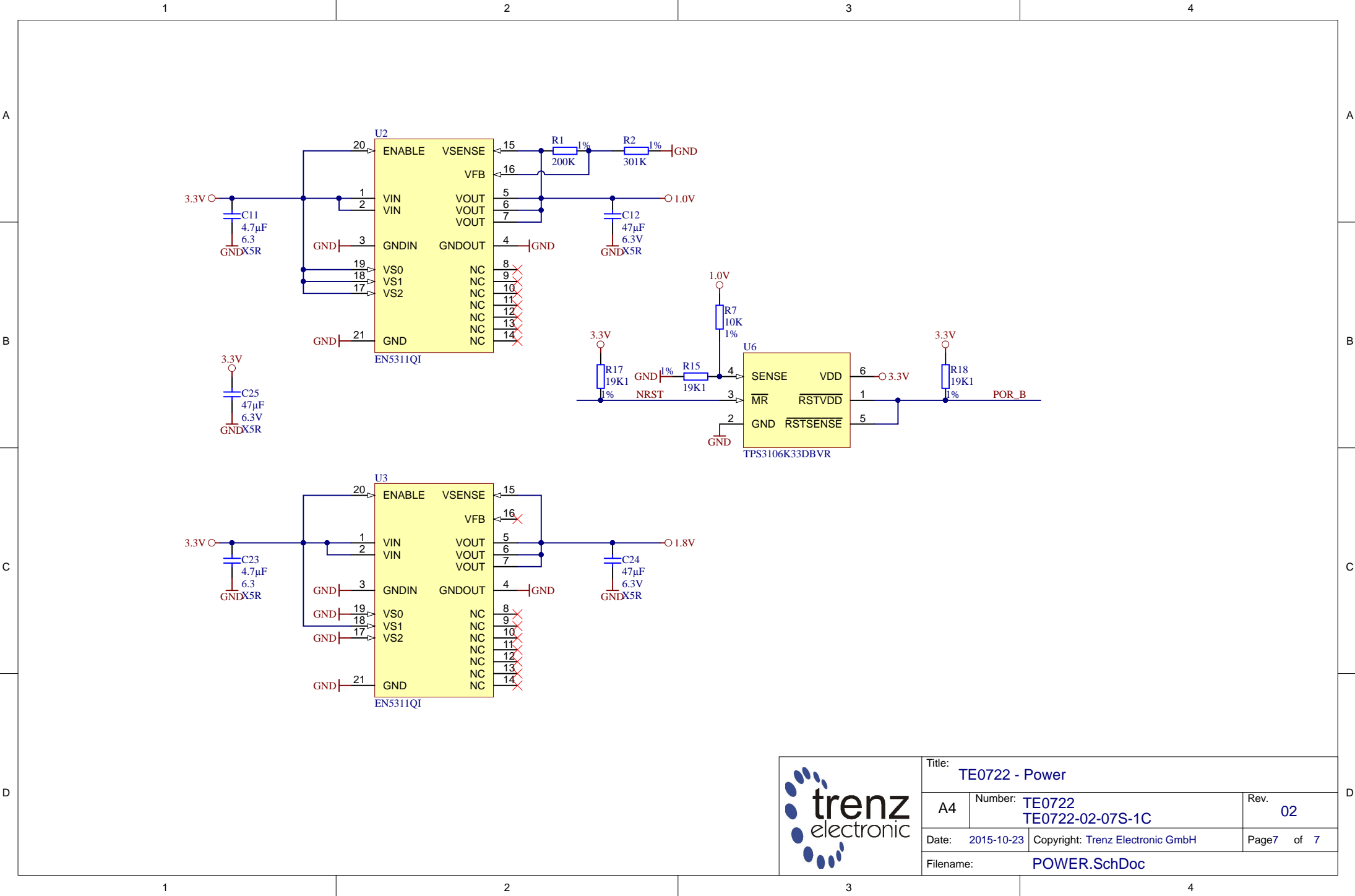
4


1

2

3

4



			Title: TE0722 - Power	
			A4	Number: TE0722 TE0722-02-07S-1C
Date: 2015-10-23		Copyright: Trenz Electronic GmbH		Page 7 of 7
Filename: POWER.SchDoc				