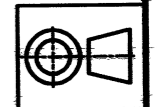
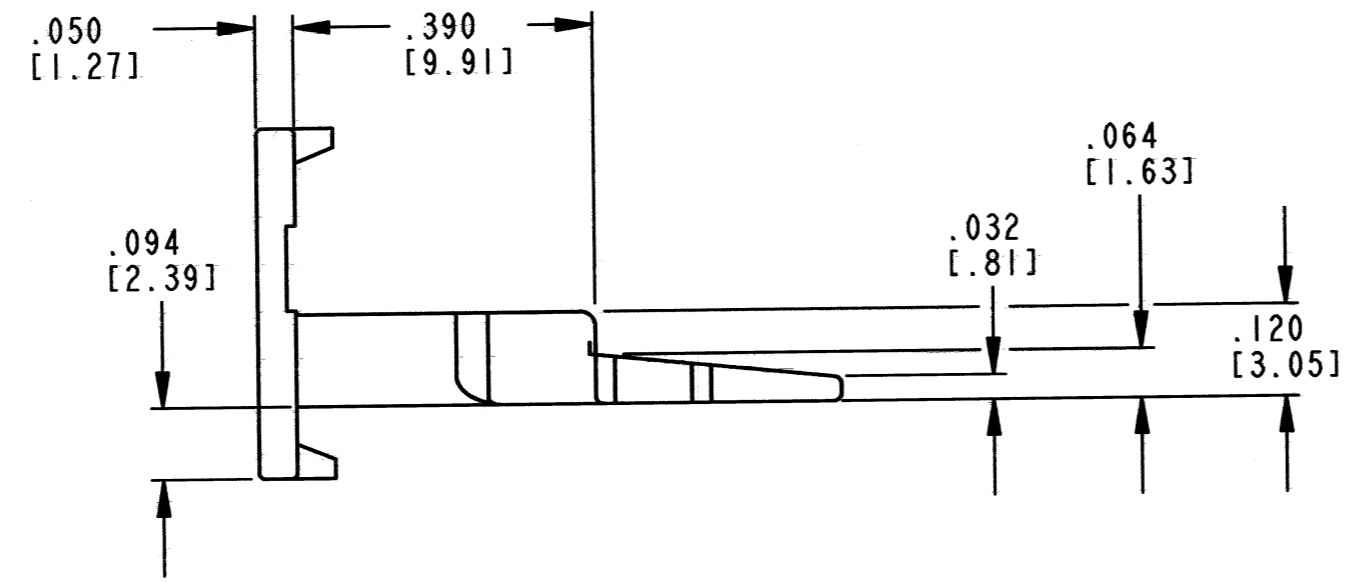
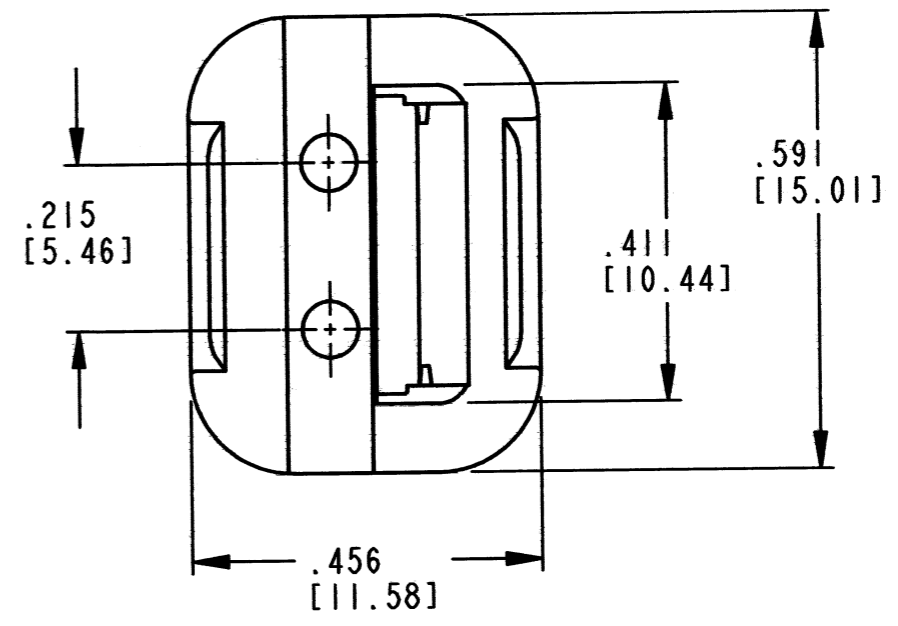
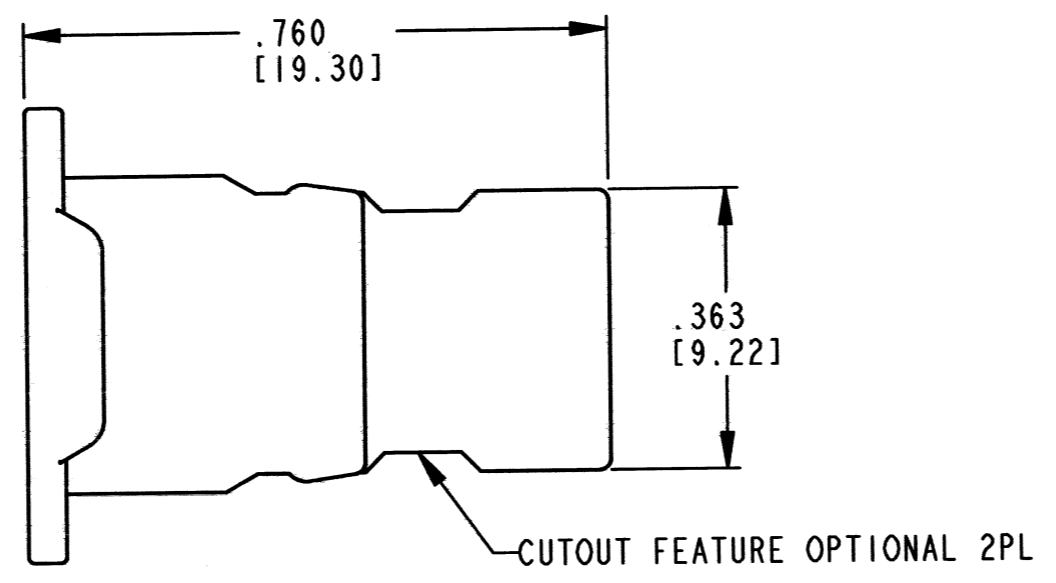
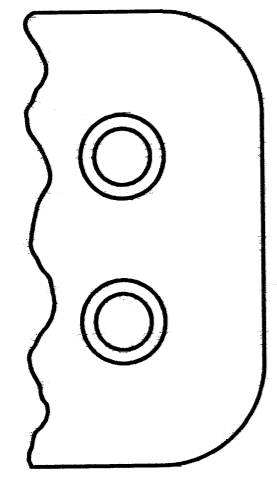


REV
F W2S-P012

REVISIONS			
SYM	DESCRIPTION	DATE	APPROVED
C	REVISED PER E.O. P18246	8/22/03	R.D.R.
D	REVISED PER E.O. P19116	12/1/05	R.D.R.
E	REVISED PER E.O. P19410	12/11/06	R.D.R.
F	REVISED PER E.O. P21443	9-4-12	RDR



- 5. MATERIAL: PLASTIC; COLOR: GREEN
- 4. WEDGE TO BE USED WITH DT06-2S-P012 PLUG ONLY.
- 3. CONSULT FACTORY FOR APPLICATION.
- 2. ALL DIMENSIONS ARE ±.025 [.64] UNLESS OTHERWISE SPECIFIED.

NOTES: 1. ALL DIMENSIONS ARE IN INCHES [MILLIMETERS].

SIGNATURE & DATE	
DR	J. WOODY 8/12/98
CHK	A. M. De... 8/22/12
PE	P. ... 8/22/12
APPD	R. ... 9-4-12
SCALE	NONE WT

WEDGE LOCK
FOR
2 CONT. PLUG
COLOR: GREEN
DT SERIES

ENVELOPE

EP	MATL. CODE
3850 INDUSTRIAL AVE. HEMET, CA 92545	
B	W2S-P012
DWG SIZE	CODE 11139 SHEET OF