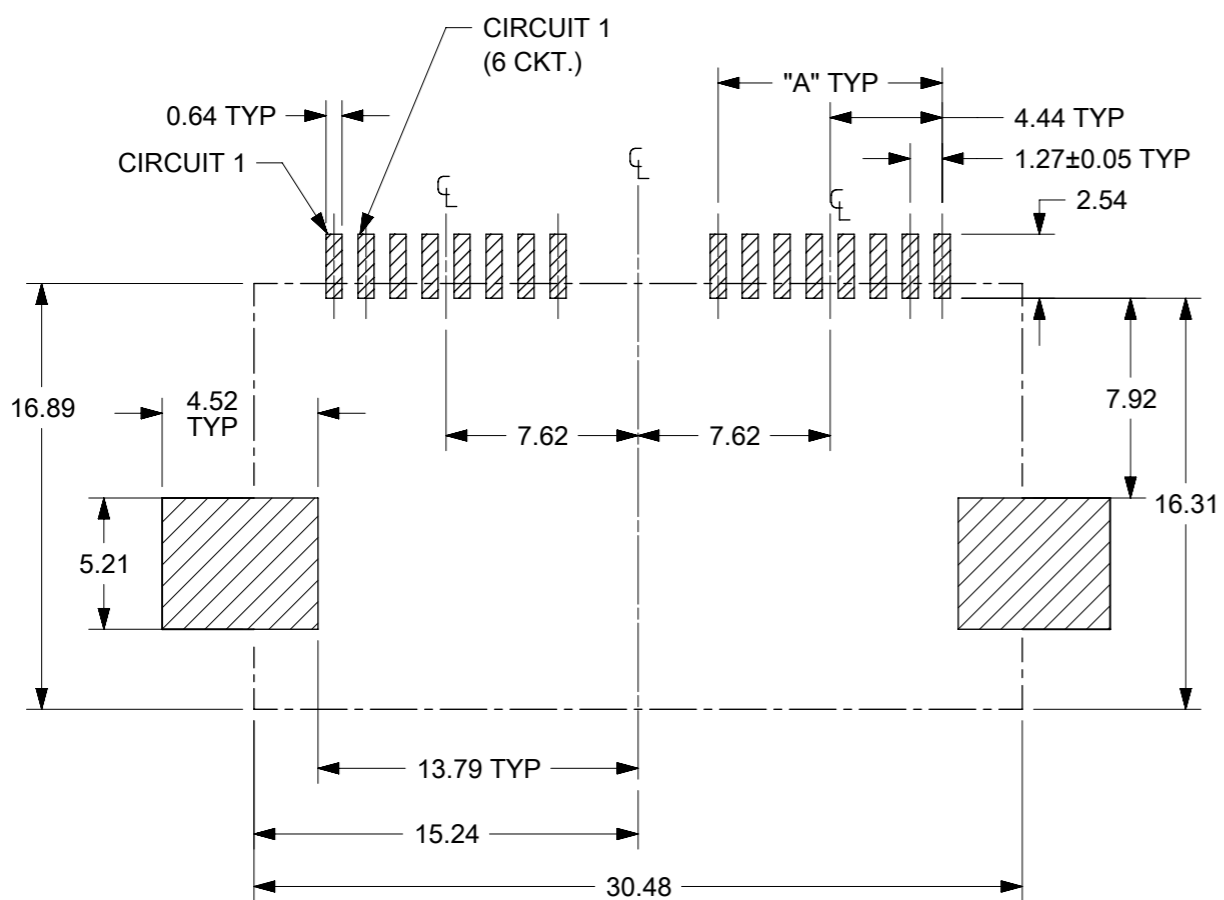


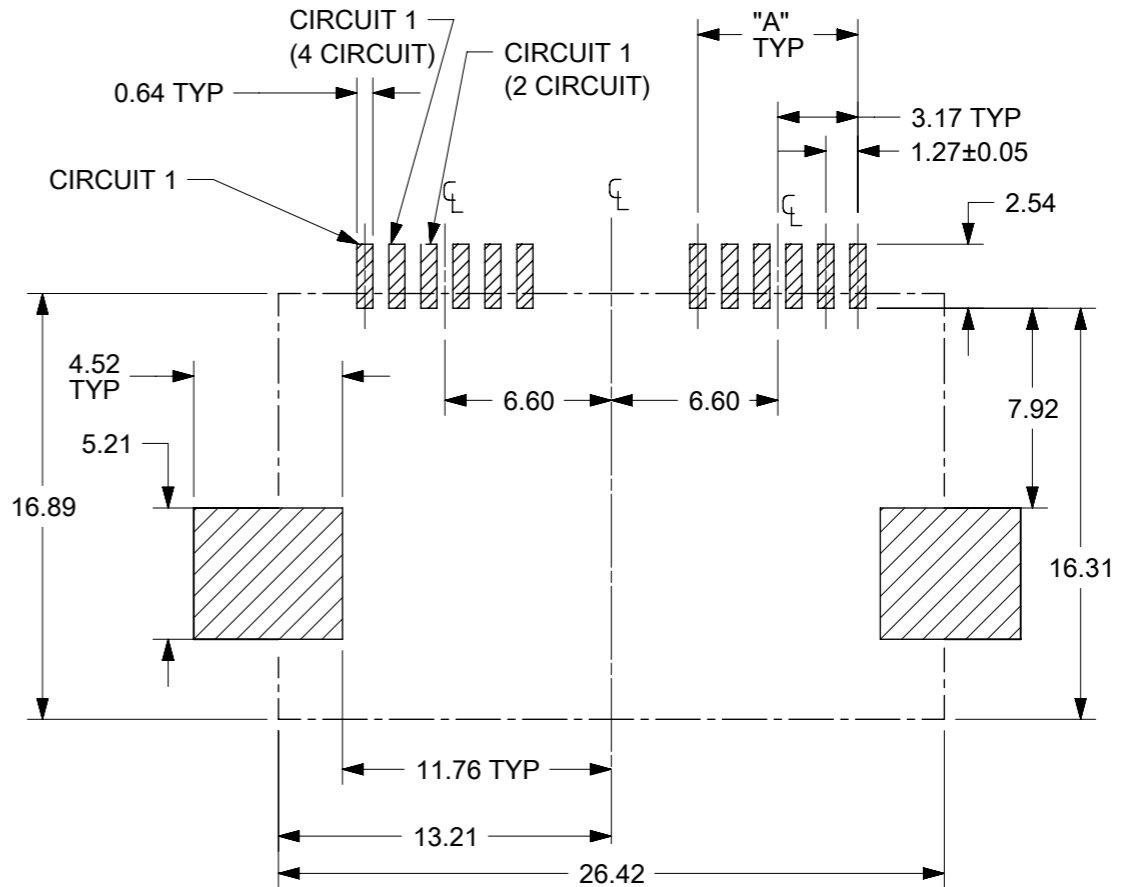
- NOTES:
- MATERIAL:  
 HOUSING: LCP, GLASS FILLED, UL94V-0, COLOR: BLACK  
 INSULATOR: NYLON(PA), GLASS FILLED, UL94V-0, COLOR: BLACK  
 TERMINALS: PHOSPHOR BRONZE, 0.30 mm THICK  
 FITTING NAILS: BRASS, 0.25 mm THICK
  - FINISH:  
 TERMINALS:  
 A = SELECT GOLD IN CONTACT AREA: 0.00127 MIN.,  
 SELECT MATTE TIN IN PC TAIL AREA: 0.00254 MIN.,  
 WITH OVERALL NICKEL UNDERPLATE: 0.00127 MIN.  
 B = SELECT GOLD IN CONTACT AREA: 0.00076 mm MIN.,  
 SELECT MATTE TIN IN PC TAIL AREA: 0.00254 mm MIN.,  
 WITH OVERALL NICKEL UNDERPLATE: 0.00127 mm MIN.  
 C = SELECT GOLD IN CONTACT AREA: 0.00038 mm MIN.,  
 SELECT MATTE TIN IN PC TAIL AREA: 0.00254 mm MIN.,  
 WITH OVERALL NICKEL UNDERPLATE: 0.00127 mm MIN.  
 FITTING NAILS:  
 2.54 MICROMETER MATTE TIN OVER 1.27 MICROMETER NICKEL UNDERPLATE
  - PRODUCT SPECIFICATION AND PROCESSING PARAMETERS: PS-43743-0001.
  - PACKAGING SPECIFICATION:  
 CONNECTOR ASSEMBLIES TO BE PACKAGED USING TAPE & REEL SYSTEM.
  - COPLANARITY SPECIFICATION:  
 WHEN AN ASSEMBLY IS PLACED UPON A LEVEL SURFACE, THE MAXIMUM GAP BETWEEN THE LEVEL SURFACE AND ALL TERMINAL TAILS AND BOTH FITTING NAILS IS 0.15 mm.
  - CONFORMS TO FCC REGULATION PART 68.5 FOR MODULAR JACKS.

ASSEMBLY ITEM NO.	CONNECTOR SIZE	CIRCUIT SIZE	TERMINAL PLATING	TAPE & REEL PACKAGING NO.
43841-0103	8	8	A	PK-70873-7014
43841-0105	6	6	A	PK-70873-7013

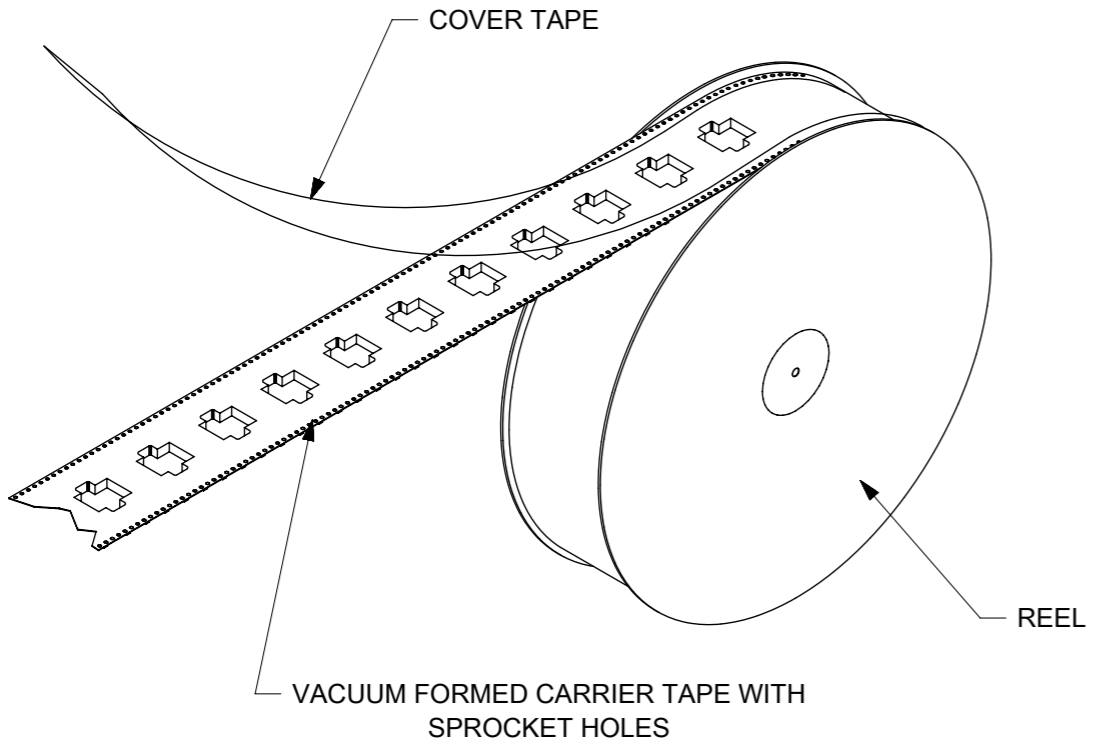
THIS DRAWING CONTAINS INFORMATION THAT IS PROPRIETARY TO MOLEX ELECTRONIC TECHNOLOGIES, LLC AND SHOULD NOT BE USED WITHOUT WRITTEN PERMISSION									
DIMENSION UNITS	SCALE	CURRENT REV DESC: REMOVED OBSOLETE PART NUMBER AS PER PCN#511695.							
mm	NTS								
GENERAL TOLERANCES (UNLESS SPECIFIED)									
ANGULAR TOL	± 0.5°								
4 PLACES	±								
3 PLACES	±								
2 PLACES	± 0.25								
1 PLACE	± 0.38								
0 PLACES	±								
DRAFT WHERE APPLICABLE MUST REMAIN WITHIN DIMENSIONS		THIRD ANGLE PROJECTION	DRAWING	SERIES	MATERIAL NUMBER	CUSTOMER	DOC TYPE	DOC PART	REVISION
			A3-SIZE	43841	SEE CHART	GENERAL MARKET	PSD	000	A1
									SHEET NUMBER
									1 OF 2



**PC BOARD LAYOUT FOR  
8 POSITION HOUSING**  
(COMPONENT SIDE OF BOARD)



**PC BOARD LAYOUT FOR  
6 POSITION HOUSING**  
(COMPONENT SIDE OF BOARD)



**TAPE AND REEL PACKAGING**

HOUSING SIZE	CIRCUIT SIZE	DIM. A
6	6	6.35
6	4	3.81
6	2	1.27
8	8	8.89
8	6	6.35
8	4	3.81

THIS DRAWING CONTAINS INFORMATION THAT IS PROPRIETARY TO MOLEX ELECTRONIC TECHNOLOGIES, LLC AND SHOULD NOT BE USED WITHOUT WRITTEN PERMISSION

DIMENSION UNITS <b>mm</b>	SCALE <b>NTS</b>	CURRENT REV DESC: REMOVED OBSOLETE PART NUMBER AS PER PCN#511695.	<b>molex</b>		
GENERAL TOLERANCES (UNLESS SPECIFIED)					
ANGULAR TOL ± 0.5°			PRODUCT CUSTOMER DRAWING		
4 PLACES ±	EC NO: 730178	DRWN: SANTHN	2022/11/29	DOCUMENT NUMBER	
3 PLACES ±	CHK'D: GGA	APPR: GGA	2023/01/04	DOC TYPE DOC PART REVISION	
2 PLACES ± 0.25	INITIAL REVISION:			438410103	
1 PLACE ± 0.38	DRWN: AFENG02			PSD 000 A1	
0 PLACES ±	APPR: KLANG			SEE CHART	
DRAFT WHERE APPLICABLE MUST REMAIN WITHIN DIMENSIONS	THIRD ANGLE PROJECTION	DRAWING	SERIES	MATERIAL NUMBER	CUSTOMER
		A3-SIZE	43841	GENERAL MARKET	SHEET NUMBER
					2 OF 2